

[MS-RTPME]: Real-Time Transport Protocol (RTP/RTCP): Microsoft Extensions

Intellectual Property Rights Notice for Open Specifications Documentation

- **Technical Documentation.** Microsoft publishes Open Specifications documentation for protocols, file formats, languages, standards as well as overviews of the interaction among each of these technologies.
- **Copyrights.** This documentation is covered by Microsoft copyrights. Regardless of any other terms that are contained in the terms of use for the Microsoft website that hosts this documentation, you may make copies of it in order to develop implementations of the technologies described in the Open Specifications and may distribute portions of it in your implementations using these technologies or your documentation as necessary to properly document the implementation. You may also distribute in your implementation, with or without modification, any schema, IDL's, or code samples that are included in the documentation. This permission also applies to any documents that are referenced in the Open Specifications.
- **No Trade Secrets.** Microsoft does not claim any trade secret rights in this documentation.
- **Patents.** Microsoft has patents that may cover your implementations of the technologies described in the Open Specifications. Neither this notice nor Microsoft's delivery of the documentation grants any licenses under those or any other Microsoft patents. However, a given Open Specification may be covered by Microsoft [Open Specification Promise](#) or the [Community Promise](#). If you would prefer a written license, or if the technologies described in the Open Specifications are not covered by the Open Specifications Promise or Community Promise, as applicable, patent licenses are available by contacting iplg@microsoft.com.
- **Trademarks.** The names of companies and products contained in this documentation may be covered by trademarks or similar intellectual property rights. This notice does not grant any licenses under those rights. For a list of Microsoft trademarks, visit www.microsoft.com/trademarks.
- **Fictitious Names.** The example companies, organizations, products, domain names, email addresses, logos, people, places, and events depicted in this documentation are fictitious. No association with any real company, organization, product, domain name, email address, logo, person, place, or event is intended or should be inferred.

Reservation of Rights. All other rights are reserved, and this notice does not grant any rights other than specifically described above, whether by implication, estoppel, or otherwise.

Tools. The Open Specifications do not require the use of Microsoft programming tools or programming environments in order for you to develop an implementation. If you have access to Microsoft programming tools and environments you are free to take advantage of them. Certain Open Specifications are intended for use in conjunction with publicly available standard specifications and network programming art, and assumes that the reader either is familiar with the aforementioned material or has immediate access to it.

Revision Summary

Date	Revision History	Revision Class	Comments
04/08/2008	0.1		Initial Availability.
06/20/2008	1.0	Major	Updated and revised the technical content.
07/25/2008	1.0.1	Editorial	Revised and edited the technical content.
08/29/2008	1.0.2	Editorial	Revised and edited the technical content.
10/24/2008	1.0.3	Editorial	Revised and edited the technical content.
12/05/2008	1.1	Minor	Updated the technical content.
01/16/2009	1.2	Minor	Updated the technical content.
02/27/2009	1.3	Minor	Updated the technical content.
04/10/2009	1.3.1	Editorial	Revised and edited the technical content.
05/22/2009	1.3.2	Editorial	Revised and edited the technical content.
07/02/2009	1.3.3	Editorial	Revised and edited the technical content.
08/14/2009	1.3.4	Editorial	Revised and edited the technical content.
09/25/2009	1.4	Minor	Updated the technical content.
11/06/2009	1.4.1	Editorial	Revised and edited the technical content.
12/18/2009	1.4.2	Editorial	Revised and edited the technical content.
01/29/2010	1.4.3	Editorial	Revised and edited the technical content.
03/12/2010	1.4.4	Editorial	Revised and edited the technical content.
04/23/2010	1.4.5	Editorial	Revised and edited the technical content.
06/04/2010	1.4.6	Editorial	Revised and edited the technical content.
07/16/2010	1.4.6	No change	No changes to the meaning, language, or formatting of the technical content.
08/27/2010	1.4.6	No change	No changes to the meaning, language, or formatting of the technical content.
10/08/2010	1.4.6	No change	No changes to the meaning, language, or formatting of the technical content.
11/19/2010	1.5	Minor	Clarified the meaning of the technical content.
01/07/2011	1.5	No change	No changes to the meaning, language, or formatting of the technical content.

Date	Revision History	Revision Class	Comments
02/11/2011	1.5	No change	No changes to the meaning, language, or formatting of the technical content.
03/25/2011	1.5	No change	No changes to the meaning, language, or formatting of the technical content.
05/06/2011	1.5	No change	No changes to the meaning, language, or formatting of the technical content.
06/17/2011	1.6	Minor	Clarified the meaning of the technical content.
09/23/2011	1.6	No change	No changes to the meaning, language, or formatting of the technical content.
12/16/2011	1.6	No change	No changes to the meaning, language, or formatting of the technical content.
03/30/2012	1.6	No change	No changes to the meaning, language, or formatting of the technical content.
07/12/2012	1.6	No change	No changes to the meaning, language, or formatting of the technical content.
10/25/2012	1.6	No change	No changes to the meaning, language, or formatting of the technical content.
01/31/2013	1.6	No change	No changes to the meaning, language, or formatting of the technical content.
08/08/2013	1.6	No change	No changes to the meaning, language, or formatting of the technical content.
11/14/2013	1.6	No change	No changes to the meaning, language, or formatting of the technical content.
02/13/2014	1.6	No change	No changes to the meaning, language, or formatting of the technical content.

Contents

1 Introduction	6
1.1 Glossary	6
1.2 References	9
1.2.1 Normative References	9
1.2.2 Informative References	10
1.3 Overview	10
1.4 Relationship to Other Protocols	11
1.5 Prerequisites/Preconditions	11
1.6 Applicability Statement	11
1.7 Versioning and Capability Negotiation	12
1.8 Vendor-Extensible Fields	12
1.9 Standards Assignments	12
2 Messages	13
2.1 Transport	13
2.1.1 Confidentiality	13
2.2 Message Syntax	13
2.2.1 RTP Packets	13
2.2.2 RTCP Compound Packets	14
2.2.3 RTCP Probe Packet	14
2.2.4 RTCP Packet Pair	14
2.2.5 RTCP Sender Report (SR)	15
2.2.6 RTCP SDES	15
2.2.7 RTCP Profile-Specific Extension	15
2.2.7.1 RTCP Profile-Specific Extension for Estimated Bandwidth	15
3 Protocol Details	17
3.1 RTP Details	17
3.1.1 Abstract Data Model	17
3.1.2 Timers	17
3.1.3 Initialization	17
3.1.4 Higher-Layer Triggered Events	18
3.1.5 Message Processing Events and Sequencing Rules	18
3.1.6 Timer Events	18
3.1.7 Other Local Events	18
3.2 RTCP Details	18
3.2.1 Abstract Data Model	19
3.2.2 Timers	19
3.2.3 Initialization	20
3.2.4 Higher-Layer Triggered Events	20
3.2.5 Message Processing Events and Sequencing Rules	20
3.2.6 Timer Events	21
3.2.7 Other Local Events	21
4 Protocol Examples	22
4.1 SSRC Change Throttling	22
4.2 Bandwidth Estimation	22
4.3 Key Derivation	23
5 Security	25
5.1 Security Considerations for Implementers	25

5.2 Index of Security Parameters	25
6 Appendix A: Product Behavior	26
7 Change Tracking.....	27
8 Index	28

1 Introduction

This document specifies the Real-Time Transport Protocol (RTP/RTCP) Microsoft Extensions (RTPME), a set of extensions to the base Real-Time Transport Protocol (RTP) specified in [\[RFC3550\]](#). RTP is a set of network transport functions suitable for applications transmitting real-time data, such as audio and video, across multimedia endpoints.

Sections 1.8, 2, and 3 of this specification are normative and can contain the terms MAY, SHOULD, MUST, MUST NOT, and SHOULD NOT as defined in RFC 2119. Sections 1.5 and 1.9 are also normative but cannot contain those terms. All other sections and examples in this specification are informative.

1.1 Glossary

The following terms are defined in [\[MS-GLOS\]](#):

authentication
base64
cipher
datagram
encryption
network address translation (NAT)
Unicode string
User Datagram Protocol (UDP)
UTF-8

The following terms are specific to this document:

cipher block chaining (CBC): A **DES** mode of operation that chains blocks of **cipher** text as specified in [\[FIPS46-3\]](#).

codec: Short for encoder/decoder. An algorithm used to convert media between digital formats, especially between raw media (for example, audio or video) data and a format that is more suitable for a particular purpose (reducing size for example, in the context of **RTP**). The conversion from raw data is regarded as the encoding step, and the conversion back to raw data is regarded as the decoding step.

conference: An **RTP session** involving multiple **participants**.

connectionless protocol: A transport protocol by means of which endpoints communicate without a prior connection arrangement, and in which each packet is treated independently as a **datagram**. Examples of this type of protocol include Internet Protocol (IP) and **User Datagram Protocol (UDP)**.

connection-oriented transport protocol: A transport protocol by means of which endpoints communicate after first establishing a connection, and in which each packet is treated according to the connection state. An example of this type of protocol is Transmission Control Protocol (TCP).

contributing source (CSRC): A source of a **stream of RTP packets** that has contributed to the combined **stream** produced by an RTP **mixer**. The **mixer** inserts a list of the synchronization source (**SSRC**) identifiers of the sources that contributed to the generation of a particular packet into the RTP header of that packet. This list is called the **CSRC list**. An example application is audio **conferencing** where a **mixer** indicates all the talkers whose speech was

combined to produce the outgoing packet, allowing the receiver to indicate the current talker, even though all the audio packets contain the same **SSRC** identifier (that of the **mixer**). See [\[RFC3550\]](#) section 3.

Data Encryption Standard (DES): An **encryption** standard that specifies a FIPS approved cryptographic algorithm as specified in [\[FIPS46-3\]](#).

Dual Tone Multiple Frequency (DTMF): The signaling system used in telephony systems, in which each digit is associated with two specific frequencies. Most commonly associated with telephone touch-tone keypads.

forward error correction (FEC): A mechanism in which a sender uses redundancy to enable a receiver to recover from packet loss.

jitter: Variation in the network delay that is perceived by the receiver for each packet.

message digest algorithm 5 (MD5): A cryptographic hash function that generates 128 bits of hash value as specified in [\[RFC1321\]](#).

mixer: An intermediate system that receives **RTP packets** from one or more sources, possibly changes the data format, combines the packets in some manner and then forwards a new **RTP packet**. Because the timing among multiple input sources will not generally be synchronized, the mixer will make timing adjustments among the **streams** and generate its own timing for the combined **stream**. Thus, all data packets originating from a mixer will be identified as having the mixer as their **synchronization source**. See [\[RFC3550\]](#) section 3.

multimedia session: A set of concurrent **RTP sessions** among a common group of **participants**. For example, a video **conference** (which is a multimedia session) may contain an audio **RTP session** and a video **RTP session**. See [\[RFC3550\]](#) section 3.

non-RTP means: Protocols and mechanisms that may be needed in addition to **RTP** to provide a usable service. In particular, for multimedia **conferences**, a control protocol may distribute multicast addresses and keys for **encryption**, negotiate the **encryption** algorithm to be used, and define dynamic mappings between **RTP payload** type values and the payload formats they represent for formats that do not have a predefined payload type value. Examples of such protocols include the **Session Initiation Protocol (SIP)** ([\[RFC3261\]](#)), ITU Recommendation H.323, and applications using **SDP** ([\[RFC2327\]](#)), such as RTSP ([\[RFC2326\]](#)). For simple applications, electronic mail or a **conference** database may also be used. See [\[RFC3550\]](#) section 3.

packetization time (P-time): For audio, the amount (in milliseconds) of audio data that is sent in a single **Real-Time Transport Protocol (RTP) Packet**.

participant: A user who is participating in a **conference** or peer-to-peer call. May also be used in reference to the object that is used to represent this participant on the implementation.

port: The "abstraction that transport protocols use to distinguish among multiple destinations within a given host computer. TCP/IP protocols identify ports using small positive integers." The transport selectors (TSEL) used by the OSI transport layer are equivalent to ports. **RTP** depends upon the lower-layer protocol to provide some mechanism such as ports to multiplex the **RTP** and **RTCP packets** of a session. See [\[RFC3550\]](#) section 3.

Real-Time Transport Protocol (RTP): A network protocol that provides end-to-end network transport functions suitable for applications transmitting real-time data, such as audio and video.

RTCP packet: A control packet consisting of a fixed header part similar to that of **RTP packets**, followed by structured elements that vary depending upon the RTCP packet type. Typically, multiple RTCP packets are sent together as a compound RTCP packet in a single packet of the underlying protocol; this is enabled by the length field in the fixed header of each RTCP packet. See [\[RFC3550\]](#) section 3.

RTP packet: A data packet consisting of the fixed RTP header, a possibly empty list of **contributing sources**, and the payload data. Some underlying protocols may require an encapsulation of the RTP packet to be defined. Typically one packet of the underlying protocol contains a single RTP packet, but several RTP packets can be contained if permitted by the encapsulation method. See [\[RFC3550\]](#) section 3.

RTP payload: The data transported by **RTP** in a packet, for example audio samples or compressed video data. For more information, see [\[RFC3550\]](#) section 3.

RTP session: An association among a set of **participants** communicating with **RTP**. A **participant** may be involved in multiple RTP sessions at the same time. In a **multimedia session**, each medium is typically carried in a separate RTP session with its own **RTCP packets** unless the encoding itself multiplexes multiple media into a single data **stream**. A **participant** distinguishes multiple RTP sessions by reception of different sessions using different pairs of destination **transport addresses**, where a pair of **transport addresses** comprises one network address plus a pair of **ports** for **RTP** and **RTCP**. All **participants** in an RTP session may share a common destination **transport address** pair, as in the case of IP multicast, or the pairs may be different for each **participant**, as in the case of individual unicast network addresses and **port** pairs. In the unicast case, a **participant** may receive from all other **participants** in the session using the same pair of **ports**, or may use a distinct pair of **ports** for each. The distinguishing feature of an RTP session is that each maintains a full, separate space of **SSRC** identifiers. The set of **participant** included in one RTP session consists of those that can receive an **SSRC** identifier transmitted by any one of the **participants** either in **RTP** as the **SSRC** or in **RTCP**. For example, consider a three- party **conference** implemented using unicast **UDP** with each **participant** receiving from the other two on separate **port** pairs. If each **participant** sends **RTCP** feedback about data received from one other **participant** only back to that **participant**, the **conference** is composed of three separate point-to-point RTP sessions. If each **participant** provides **RTCP** feedback about its reception of one other **participant** to both of the other **participants**, the **conference** is composed of one multi-party RTP session. The latter case simulates the behavior that would occur with IP multicast communication among the three **participants**. The **RTP** framework allows the variations defined here, but a particular control protocol or application design will usually impose constraints on these variations. See [\[RFC3550\]](#) section 3.

Session Description Protocol (SDP): A protocol that is used for session announcement, session invitation, and other forms of **multimedia session** initiation [\[MS-SDP\]](#).

Session Initiation Protocol (SIP): An application-layer control (signaling) protocol for creating, modifying, and terminating sessions with one or more **participants**, as specified in [\[RFC3261\]](#).

silence suppression: A mechanism for conserving bandwidth by detecting silence in the audio input, and not sending packets that would only contain silence.

stream: A flow of data from one host to another host. May also be used to reference the flowing data.

synchronization source (SSRC): The source of a **stream** of **RTP packets**, identified by a 32-bit numeric **SSRC** identifier carried in the RTP header so as not to be dependent upon the

network address. All packets from a synchronization source form part of the same timing and sequence number space, so a receiver groups packets by synchronization source for playback. Examples of synchronization sources include the sender of a **stream** of packets derived from a signal source such as a microphone or a camera, or an RTP **mixer**. A synchronization source may change its data format (for example, audio encoding) over time. The **SSRC** identifier is a randomly chosen value meant to be globally unique within a particular **RTP session**. A **participant** need not use the same **SSRC** identifier for all the **RTP sessions** in a **multimedia session**; the binding of the **SSRC** identifiers is provided through RTCP. If a **participant** generates multiple **streams** in one **RTP session**, for example from separate video cameras, each MUST be identified as a different SSRC. See [\[RFC3550\]](#) section 3.

throttling: The enforcement of a limit in the frequency where an action can occur.

transport address: The combination of a network address and **port** that identifies a transport-level endpoint, for example an IP address and a **UDP port**. Packets are transmitted from a source transport address to a destination transport address. See [\[RFC3550\]](#) section 3.

video encapsulation: A mechanism for transporting video payload and metadata in **RTP packets**.

video frame: One of the still images that are shown in quick succession in a video.

MAY, SHOULD, MUST, SHOULD NOT, MUST NOT: These terms (in all caps) are used as described in [\[RFC2119\]](#). All statements of optional behavior use either MAY, SHOULD, or SHOULD NOT.

1.2 References

References to Microsoft Open Specifications documentation do not include a publishing year because links are to the latest version of the documents, which are updated frequently. References to other documents include a publishing year when one is available.

A reference marked "(Archived)" means that the reference document was either retired and is no longer being maintained or was replaced with a new document that provides current implementation details. We archive our documents online [\[Windows Protocol\]](#).

1.2.1 Normative References

We conduct frequent surveys of the normative references to assure their continued availability. If you have any issue with finding a normative reference, please contact dochelp@microsoft.com. We will assist you in finding the relevant information.

[FIPS46-3] FIPS PUBS, "Data Encryption Standard (DES)", FIPS PUB 46-3, October 1999, <http://csrc.nist.gov/publications/fips/fips46-3/fips46-3.pdf>

[RFC1321] Rivest, R., "The MD5 Message-Digest Algorithm", RFC 1321, April 1992, <http://www.ietf.org/rfc/rfc1321.txt>

[RFC2119] Bradner, S., "Key words for use in RFCs to Indicate Requirement Levels", BCP 14, RFC 2119, March 1997, <http://www.rfc-editor.org/rfc/rfc2119.txt>

[RFC3550] Schulzrinne, H., Casner, S., Frederick, R., and Jacobson, V., "RTP: A Transport Protocol for Real-Time Applications", STD 64, RFC 3550, July 2003, <http://www.ietf.org/rfc/rfc3550.txt>

[RFC3551] Schulzrinne, H., and Casner, S., "RTP Profile for Audio and Video Conferences with Minimal Control", STD 65, RFC 3551, July 2003, <http://www.ietf.org/rfc/rfc3551.txt>

[RFC4733] Schulzrinne, H., "RTP Payload for DTMF Digits, Telephony Tones and Telephony Signals", RFC 4733, December 2006, <http://www.ietf.org/rfc/rfc4733.txt>

1.2.2 Informative References

[H323] ITU-T, "Packet-based multimedia communications systems", Recommendation H.323, June 2006, <http://www.itu.int/rec/T-REC-H.323-200606-S/en>

[MS-GLOS] Microsoft Corporation, "[Windows Protocols Master Glossary](#)".

[MS-H245] Microsoft Corporation, "[H.245 Protocol: Microsoft Extensions](#)".

[MS-H26XPF] Microsoft Corporation, "[Real-Time Transport Protocol \(RTP/RTCP\): H.261 and H.263 Video Streams Extensions](#)".

[MS-RTPDT] Microsoft Corporation, "[Real-Time Transport Protocol \(RTP/RTCP\): DTMF Digits, Telephony Tones and Telephony Signals Data Extensions](#)".

[MS-RTPRAD] Microsoft Corporation, "[Real-Time Transport Protocol \(RTP/RTCP\): Redundant Audio Data Extensions](#)".

[MS-SDP] Microsoft Corporation, "[Session Description Protocol \(SDP\) Extensions](#)".

[MS-SIP] Microsoft Corporation, "[Session Initiation Protocol Extensions](#)".

[RFC2326] Schulzrinne, H., Rao, A., and Lanphier, R., "Real Time Streaming Protocol (RTSP)", RFC 2326, April 1998, <http://www.ietf.org/rfc/rfc2326.txt>

[RFC2327] Handley, M., and Jacobson, V., "SDP: Session Description Protocol", RFC 2327, April 1998, <http://www.ietf.org/rfc/rfc2327.txt>

[RFC3261] Rosenberg, J., Schulzrinne, H., Camarillo, G., Johnston, A., Peterson, J., Sparks, R., Handley, M., and Schooler, E., "SIP: Session Initiation Protocol", RFC 3261, June 2002, <http://www.ietf.org/rfc/rfc3261.txt>

1.3 Overview

The Real-Time Transport Protocol (RTP) [\[RFC3550\]](#) provides end-to-end delivery services for data with real-time characteristics. The Audio/Video (AV) profile, specified in the companion document [\[RFC3551\]](#), defines the AV-specific interpretations of profile-dependent fields.

RTPME specifies extensions to RTP as specified in [\[RFC3550\]](#) and [\[RFC3551\]](#). RTP extensions define packet formats to convey additional information and behavioral changes to enhance host security. These extensions include the following:

- **Synchronization Source (SSRC)**: RTPME limits the reception of **RTP** and **RTCP packets** from one **SSRC** of a **participant** at any given time in a unicast communication session. This limit prevents mixing of audio from multiple participants. In a multicast communication session, this protocol is capable of receiving RTP and RTCP packets from multiple participants at any given time in a multicast communication session.
- **Bandwidth estimation**: Microsoft has defined a new mechanism to estimate and communicate the bandwidth on a channel. One host sends a "RTCP Packet Pair". The other host can use the time interval between the "RTCP probe packet" and the "RTCP compound packet" of the same "RTCP Packet Pair" to estimate the bandwidth. When the receiver reaches a statistical average, this estimation is then communicated back through a Real-Time Transport Control Protocol (RTCP) profile extension.

1.4 Relationship to Other Protocols

RTPME sessions are usually initiated through an application layer control protocol such as [Session Initiation Protocol \(SIP\)](#) [MS-SIP] or H.323 [H323]. RTP transport parameters (protocol, IP, port) for sessions established through **SIP** are usually communicated through a **multimedia session** description protocol such as [Session Description Protocol \(SDP\) Extensions](#) [MS-SDP] or H.245 protocol [MS-H245]. Hosts communicate using **UDP**. RTP and RTCP packets can be encrypted and/or authenticated through the default algorithm **Data Encryption Standard (DES)** in **cipher block chaining (CBC)** mode as specified in [RFC3550]. For audio communications, RTP supports a redundancy mechanism for **forward error correction (FEC)** [MS-RTPRAD], as well as a mechanism for communicating **Dual Tone Multiple Frequency (DTMF)** [MS-RTPDT] events. Negotiation for these and other payload properties (including supported **codecs**, sampling rates, and dynamic payload type mappings) can also be done through **SDP**. For video communications, because data for a single frame can sometimes span more than one RTP packet, various **video encapsulation** methods can be used, such as H.261 and H.263 [MS-H26XPF].

The following figure illustrates this hierarchy between protocols. SIP, H.323, and SDP are not represented in this figure because they are parallel to **RTP**.

AUDIO Payload		DTMF Events		VIDEO Payload	
(no redundancy)	FEC	DTMF over RTP		Video encapsulation	
MS-RTP					
Transport					

Figure 1: Hierarchy of the RTP protocol

1.5 Prerequisites/Preconditions

In order to establish an RTPME protocol session, the whole negotiation for transport (protocol, address, and port), payload (codec, payload type mapping, sampling rate, bit rate, and video resolution), and **encryption** (protocol, algorithm, and key) parameters must have taken place by **non-RTP means** (such as SIP, H.323, or SDP).

1.6 Applicability Statement

This protocol is intended only to be a **streaming** protocol, carrying just the payload and the minimum of metadata needed for real-time rendering. Even RTCP is (intentionally) limited in negotiation and session control capabilities. Except for these few exceptions, all capability negotiation, session establishment, and session control is supposed to be done by non-RTP means, that is, through some other protocol (usually SIP, H.323, or SDP).

This protocol is a best effort protocol and, when run over unreliable transport, does not provide reliable transmission of every packet. Redundancy mechanisms, such as the one specified in [MS-RTPRAD], may reduce the impact of packet loss but not eliminate it.

This protocol is extremely time-sensitive, especially for voice communications. This means that the quality of the experience is very dependent upon the quality of the underlying network. Issues such as long delays, **jitter**, and high packet loss will all negatively affect the end-user experience. This means that the choice of protocol (**connectionless** or **connection-oriented**) and connection path (direct or through an intermediate host) affects the users' experience.

1.7 Versioning and Capability Negotiation

This protocol has the following versioning and capability negotiation constraints:

- Supported Transports: RTP is transport-agnostic and can be implemented over any connectionless or connection-oriented transport protocol. UDP is the most common transport protocol and is the only transport protocol specified in this document.
- Protocol Versions: The version of the RTP protocol is explicitly indicated on the **V** field of every RTP packet. Only version 2 of the RTP protocol is specified in this document.
- Capability Negotiation: Capability negotiation is done by non-RTP means, usually through a higher-level application layer protocol such as SIP, H.323, and SDP.

1.8 Vendor-Extensible Fields

The standard method for selecting codecs in the RTPME protocol is through payload types. [\[RFC3551\]](#) provides a default mapping for audio and video codecs that includes a range from hexadecimal 0x60 to 0x7F to be used for dynamic codec mapping. For each RTPME protocol session using a dynamically mapped codec, a mapping between a number inside this range and a specific codec MUST be negotiated through non-RTP means (for example, through SDP). Although there are no reserved or assigned numbers within this dynamic payload type range, some codecs are typically mapped to specific payload types. Some examples of dynamic payload type conventions can be found in section [2.2.1](#) of this document.

1.9 Standards Assignments

None.

2 Messages

2.1 Transport

RTPME MUST be supported over UDP using IPv4 only. When running over connectionless protocols such as UDP, each RTP packet MUST be transported in exactly one **datagram**. The total size of a single RTP packet (including all transport, network, and link-layer headers) MUST NOT exceed 1,500 bytes.

2.1.1 Confidentiality

RTPME uses the default Data Encryption Standard (DES) encryption algorithm in CBC mode as specified in [\[RFC3550\]](#) section 9.1. Other encryption algorithms specified in [\[RFC3550\]](#) are not supported by RTPME. Encryption MAY be negotiated for an **RTP session** through Session Description Protocol (SDP) Extensions [\[MS-SDP\]](#). When encrypted, both header and payload MUST be encrypted with the same encryption key for all RTP and RTCP packets.

RTPME MUST pad RTP/RTCP header and payload to a multiple of 8 bytes for DES CBC mode input. Padding for DES CBC mode MUST NOT change the value of the **P** bit in RTP header.

RTPME MUST NOT support partial RTCP encryption which segregates compound RTCP packets.

2.2 Message Syntax

The section specifies syntax of the messages before encryption is applied to them.

2.2.1 RTP Packets

The syntax of the RTP header is as specified in [\[RFC3550\]](#). The fields of the fixed RTP header have their usual meaning (specified in [\[RFC3550\]](#) and [\[RFC3551\]](#)) with the following additional notes.

Marker bit (M): In audio streams, if **silence suppression** is enabled, the **Marker bit (M)** SHOULD be one for the first packet of a talk spurt and zero for all other packets; failure to do so can result in reduced audio quality at the receiving end. If silence suppression is disabled, the **Marker bit** MAY be one for the first packet in the stream but SHOULD be zero for all other packets. In video streams, the **Marker bit** MUST be one for the last packet of each **video frame** and zero for all other packets.

Payload type (PT): The **Payload type** field identifies the format of the **RTP payload** and determines its interpretation by the application. Codecs that are not assigned to static payload types MUST be assigned to a payload type within the dynamic range (that is, between 0x60 and 0x7F). Additionally, DTMF payloads MUST use the same payload type for the send and receive directions. Codecs with payload type numbers on the static range MUST be used as specified in the following table; codecs with payload types on the dynamic range MAY use a different payload type number but MUST be used with the clock rate, **packetization time (P-time)**, and number of channels as specified in the following table.

Audio:

Payload type	Codec	Clock rate	P-times	Channels
0x00	G.711 μ -Law	8000	20	1
0x03	GSM 6.10	8000	40	1

Payload type	Codec	Clock rate	P-times	Channels
0x04	G.723.1	8000	30, 60, 90	1
0x05	DVI4	8000	20	1
0x06	DVI4	16000	20	1
0x08	G.711 A-Law	8000	20	1
0x 6F	Siren	16000	20, 40	1
0x 70	G.722.1	16000	20	1

Video:

Payload type	Codec	Clock rate
0x1F	H.261	90000
0x22	H.263	90000

Synchronization Source (SSRC): The **SSRC** field identifies the synchronization source. This identifier SHOULD be chosen randomly but MUST not be zero. The loop detection and collision resolution algorithms from [\[RFC3550\]](#) section 8.2 MAY be used. Regardless of loops or collisions, the **SSRC** SHOULD not be changed within 2 seconds of the start of the stream or a previous SSRC change, in order to prevent packets from being ignored by the **throttling** algorithm described in section [3.1](#).

CSRC list: The **CSRC list** identifies the **contributing sources (CSRC)** for the payload contained in this packet, as defined by [\[RFC3550\]](#) section 5.1.

2.2.2 RTCP Compound Packets

Real-time Transport Control Protocol (RTCP) compound packets are a concatenation of simple RTCP packets, as specified in [\[RFC3550\]](#). However, [RTCP Source Description \(SDS\)](#), RTCP Goodbye (BYE) ([\[RFC3550\]](#) section 6.6), [RTCP Sender Report \(SR\)](#), and RTCP Receiver Report (RR) ([\[RFC3550\]](#) section 6.4.2) MAY also be sent as simple packets (that is, only one RTCP packet, instead of a concatenation of two or more). Accordingly, this extension modifies the RTCP validation algorithm in [\[RFC3550\]](#) section A.2; it MUST accept simple RTCP SDS, RTCP BYE, RTCP SR, and RTCP RR packets. RTCP compound packets MAY carry one or more of the [RTCP profile-specific extensions \(section 2.2.7\)](#).

2.2.3 RTCP Probe Packet

The RTCP probe packet MUST be a simple (noncompound) [SR packet](#) with zero report blocks. This packet is used as the first packet of an [RTCP packet pair](#) for bandwidth estimation purposes.

2.2.4 RTCP Packet Pair

The RTCP packet pair is formed by an [RTCP probe packet](#) and an [RTCP compound packet](#), which are sent back to back for bandwidth estimation purposes.

2.2.5 RTCP Sender Report (SR)

The syntax of the RTCP Sender Report is as specified in [\[RFC3550\]](#) section 6.4.1, with the following additional note.

Sender's packet count: The packet and octet counts SHOULD NOT include packet duplicates intentionally sent (for example, the retransmission of [DTMF](#) end packets specified in [\[RFC4733\]](#) section 2.5.1.4).

2.2.6 RTCP SDES

The RTCP SDES packets are as specified in [\[RFC3550\]](#) section 6.5, with the following exceptions:

- All text is null-terminated.
- The SDES PRIV is encoded the same way as SDES NAME; that is, the structure defined in [\[RFC3550\]](#) section 6.5.8 MUST NOT be used.

2.2.7 RTCP Profile-Specific Extension

The profile-specific extension is appended to the [SR](#) or RR reports and is used to carry additional information not contained in the SR or RR reports. It is a block of data that immediately follows the SR or RR report packets. As with the rest of the RTP and RTCP fields, all integer fields on profile-specific extensions are in network order (most significant byte first). If a profile-specific extension is not used, it still MUST be parsed correctly by the receiver, even if it is ignored.

The common header for such extensions is defined as follows.

0	1	2	3	4	5	6	7	8	9	10	11	12	13	14	15	16	17	18	19	20	21	22	23	24	25	26	27	28	29	30	31
Type																Length															
ExtensionInfo (variable)																															
...																															

Type (2 bytes): The extension type.

Length (2 bytes): The extension length in bytes, including this header.

ExtensionInfo (variable): This field depends on the extension type.

2.2.7.1 RTCP Profile-Specific Extension for Estimated Bandwidth

The format of this extension is as follows:

0	1	2	3	4	5	6	7	8	9	10	11	12	13	14	15	16	17	18	19	20	21	22	23	24	25	26	27	28	29	30	31
Type																Length															

SSRC
Bandwidth

Type (2 bytes): The extension type. This field MUST be set to 0x0001.

Length (2 bytes): The extension length in bytes, including this header. This field MUST be set to 0x000C.

SSRC (4 bytes): The SSRC for which the bandwidth estimated is being reported.

Bandwidth (4 bytes): A 32-bit signed integer. This is the estimated bandwidth in bits per second. A value of 0xFFFFFFFF (-3) means that this host does not yet have enough measurements to generate a bandwidth estimate.

3 Protocol Details

3.1 RTP Details

The Synchronization Source (SSRC) throttling mechanism is used in unicast communication modes. SSRC throttling works by means of two states – "Active mode" and "Inactive mode". An RTP session starts in the Inactive mode. In the Inactive mode, the first RTP or RTCP packet received from a participant causes the RTP session to exit the Inactive mode and enter the Active mode. When the RTP session is in Active mode, only packets from the participant's SSRC are accepted. Packets with different SSRCs are dropped. The RTP session exits the Active mode and enters the Inactive mode when either an RTCP BYE is received from the participant or the participant times out.

This implies that the RTP session will accept RTP and RTCP packet from one SSRC only at any time. As long as the active SSRC continues to stream and does not time out and does not send an RTCP BYE, it will prevent any other SSRC from being accepted by the RTP session.

The timeout algorithm in [\[RFC3550\]](#) section 6.3.5 MUST be used to determine when a participant times out.

3.1.1 Abstract Data Model

This section describes a conceptual model of possible data organization that an implementation maintains to participate in this protocol. The described organization is provided to facilitate the explanation of how the protocol behaves. This protocol does not mandate that implementations adhere to this model as long as their external behavior is consistent with that described in this document.

SSRC throttling extension variable (per session):

LastGoodSSRC: Stores the **SSRC** to be accepted as valid (that is, the current SSRC for the stream).

3.1.2 Timers

The RTPME protocol has the following RTP-related timer, in addition to those specified in [\[RFC3550\]](#) and [\[RFC3551\]](#).

Participant timeout timer: This timer (or the timeout algorithm in [\[RFC3550\]](#) section 6.3.5) MUST be used to time out inactive participants. This timer MUST be set to 50 seconds. There MUST be one participant timeout timer per participant.

3.1.3 Initialization

LastGoodSSRC must be initialized to zero when the RTP session is created.

For RTPME, the encryption key MUST be derived as follows:

1. During negotiation, the encryption key phrase MUST be in **base64**-encoded format in the SDP as specified in [\[MS-SDP\]](#).
2. The key phrase MUST be base64 decoded into a **Unicode string**.
3. This Unicode string MUST be converted into a **UTF-8** code point string.
4. This UTF-8 code point string MUST be hashed using the **message digest algorithm 5 (MD5)** algorithm.

5. The DES CBC key is the first 56 bits from output of the hash.

3.1.4 Higher-Layer Triggered Events

RTPME has no additional RTP-related higher-layer triggered events beyond those specified in [\[RFC3550\]](#) and [\[RFC3551\]](#).

3.1.5 Message Processing Events and Sequencing Rules

RTPME processes RTP-related packets as specified in [\[RFC3550\]](#) and [\[RFC3551\]](#), with the following additional notes:

- For every received RTP packet, the participant timeout timer of the participant respective to its SSRC MUST be restarted.
- The following actions SHOULD be executed on receipt of every RTP packet.

```
IF LastGoodSSRC != 0 THEN
    IF SSRC != LastGoodSSRC THEN
        Drop Packet
    ENDIF
ELSE
    LastGoodSSRC = SSRC
ENDIF
```

3.1.6 Timer Events

RTPME has the following RTP-related timer event processing rules, in addition to those specified in [\[RFC3550\]](#) and [\[RFC3551\]](#):

Participant timeout timer expires: The receiver MUST delete the respective participant object and reset the **LastGoodSSRC** to zero.

3.1.7 Other Local Events

RTPME has no additional local RTP-related events, beyond those specified in [\[RFC3550\]](#) and [\[RFC3551\]](#).

3.2 RTCP Details

RTCP packets SHOULD be sent on every RTP session. Failure to do so may result in loss of functionality on the remote end because channel statistics such as loss rate and jitter will not be communicated. Failure to transmit RTCP packets can also cause the termination of the session by time out assuming silence suppression is enabled and there is a long period of silence. See section [3.1](#) or [\[RFC3550\]](#) section 6.3.5.

The bandwidth estimation works as follows: One host sends a pair of packets to another host, back to back. The receiver calculates the bandwidth on the link, based on the reception times and packet sizes. The receiver then combines multiple measurements to arrive at a bandwidth estimate that is communicated back to the sender through an extension to the RTCP report.

In order to accelerate bandwidth estimation, the session starts in a "normal" RTCP sending rate. Once enough [RTCP packet pairs](#) have been sent, or the receiver has successfully estimated the

bandwidth, the session changes to the "fast" RTCP sending rate. A high-level overview of this behavior is illustrated in the following diagram. Detailed specifications of the states, transitions and actions are given in sections [3.2.1](#) to [3.2.7](#).

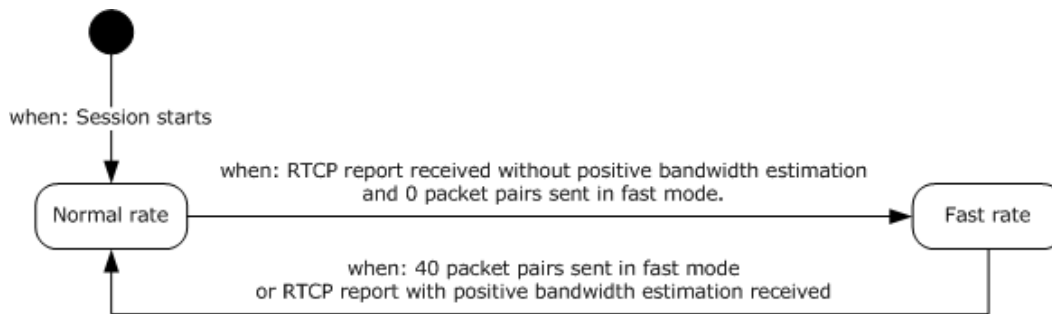


Figure 2: Bandwidth estimation

RTCP packet pairs SHOULD be sent as specified in this document. If packet pairs are not sent, the receiver MAY never send a bandwidth estimate back. Bandwidth estimates SHOULD be sent through the profile extension; failure to do so may result in reduced functionality on the remote end for features that need a bandwidth estimate. RTCP packet pairs MUST be correctly received and parsed but MAY not be used by the bandwidth calculation algorithm.

3.2.1 Abstract Data Model

This section describes a conceptual model of possible data organization that an implementation maintains to participate in this protocol. The described organization is provided to facilitate the explanation of how the protocol behaves. This protocol does not mandate that implementations adhere to this model as long as their external behavior is consistent with that described in this document.

RTCPSendingRate: Defines the rate at which RTCP reports are sent. Reports are sent either at a fast rate or at the normal rate. The fast rate uses a fixed time interval (defined by the Fast RTCP sending timer). The normal rate uses a random time interval based on a value that scales with the number of **SSRCs** in the **conference**, as defined in [\[RFC3550\]](#) section 6.2.

FastRTCPPacketPairCount: Keeps track of how many packet pairs have been sent at the fast RTCP send rate.

ReceivingRTCPPacketPairs: Indicates whether or not [RTCP packet pairs](#) have been received.

3.2.2 Timers

RTPME has the following RTCP-related timers, in addition to those specified in [\[RFC3550\]](#) and [\[RFC3551\]](#):

RTCP Send timer: When the RTCP send rate is "normal", its next value is computed as specified in [\[RFC3550\]](#) section 6.2. When RTCP send rate is fast, its next value MUST be set to 250 milliseconds. This timer is started each time an [RTCP compound packet](#) is sent and is used to schedule the sending of the next [RTCP packet pairs](#).

RTCP Bye timer: This timer MUST be set to 2 seconds; it is started when an RTCP BYE is received. There MUST be one timer per participant.

3.2.3 Initialization

RTPME has the following RTCP-related initialization requirements, in addition to those specified in [\[RFC3550\]](#) and [\[RFC3551\]](#).

RTCPsSendingRate: Initialized to "normal" when the protocol starts.

FastRTCPPacketPairCount: Initialized to zero when the protocol starts.

ReceivingRTCPPacketPairs: Initialized to "false" when the protocol starts.

Encryption initialization is the same as specified in section [3.1.3](#).

3.2.4 Higher-Layer Triggered Events

RTPME has the following RTCP-related higher-layer triggered events, in addition to those specified in [\[RFC3550\]](#) and [\[RFC3551\]](#).

Application wishes to leave the RTP session: RTCP BYE packet MAY be sent immediately. When the BYE packet is sent immediately, the algorithm described in [\[RFC3550\]](#) section 6.3.7 is not used.

3.2.5 Message Processing Events and Sequencing Rules

RTPME processes RTCP-related packets as specified in [\[RFC3550\]](#) and [\[RFC3551\]](#), with the following additional notes.

The following rules apply to every RTCP packet:

- The participant timeout timer (section [3.1.2](#)) corresponding to the packet's SSRC MUST be restarted.

The following rules apply to specific types of RTCP packets:

[RTCP Probe Packet:](#) Its arrival time is recorded and the packet is discarded.

[RTCP Compound Packet:](#) The following rules apply:

- If there is a record of a previous RTCP probe packet, **ReceivingRTCPPacketPairs** is set to "true" and an arrival time gap is computed as the difference between the arrival time of this packet and the probe packet, the packet length of the RTCP compound packet includes all headers up to the network layer. For example, if the transport mechanism is UDP the RTCP Compound Packet will include RTP, UDP, and IP headers. These two values are used to compute the bandwidth perceived by these two packets while traversing the path from their source up to their destination, as the RTCP compound packet length divided by the arrival time gap. The process of estimating bandwidth from individual calculations is implementation-specific.
- If **FastRTCPPacketPairCount** is zero and **RTCPsSendingRate** is "normal", RTCPsSendingRate is set to "fast", and the RTCP send timer MUST be set to 250 milliseconds. If the received packet has a profile specific extension with a positive bandwidth report, and RTCPsSendingRate is "fast", that variable is set to "normal".

RTCP APP Packet: This packet is ignored.

RTCP BYE: The SSRC from which this packet was sent is designated as having sent an RTCP BYE and its RTCP bye timer is started.

3.2.6 Timer Events

RTPME has the following RTCP-related timer event processing rules, in addition to those specified in [\[RFC3550\]](#) and [\[RFC3551\]](#).

RTCP Send timer expires: A new RTCP probe and a new [RTCP Compound packet](#) are prepared and sent to the network destination. Both packets MUST be sent back to back, that is, the second one immediately after the first one. Restart the timer. If the **RTCPSendingRate** is "normal", compute a new value for this timer according to [\[RFC3550\]](#) Section 6.2. If the **RTCPSendingRate** is "fast", set the timer to 250 milliseconds, increment **FastRTCPPacketPairCount** by 1, and if that counter reaches 40, set **RTCPSendingRate** to "normal". If a report is being sent in the compound packet and a bandwidth measurement (by RTCP packet pairs or any other method) was done in the last 30 seconds, a bandwidth estimation profile extension SHOULD be attached to each report. If the bandwidth estimate has not converged, the profile extension SHOULD send 0xffffffff as bandwidth (see section [2.2.7.1](#)). The sender MAY stop sending [RTCP probe packets](#) (that is, begin sending only RTCP Compound packets) if it determines that the receiver does not support processing of these packets.

RTCP Bye timer expires: The information associated with the SSRC that started this timer is deleted. If any packet from the same SSRC arrives after the timer has expired, this SSRC will be treated as a new participant.

3.2.7 Other Local Events

None.

4 Protocol Examples

In the following examples, only the fields relevant to the extension exemplified are shown. **Synchronization Source (SSRC)** are shown as 1, 2, 3, and 1000, and sequence numbers are shown starting from 1 for illustrative purposes. Real SSRCs should be random, and sequence numbers should start at a random value, as specified in section [2.1.1](#).

4.1 SSRC Change Throttling

The next diagram represents a flow of messages from the sender to the receiver.

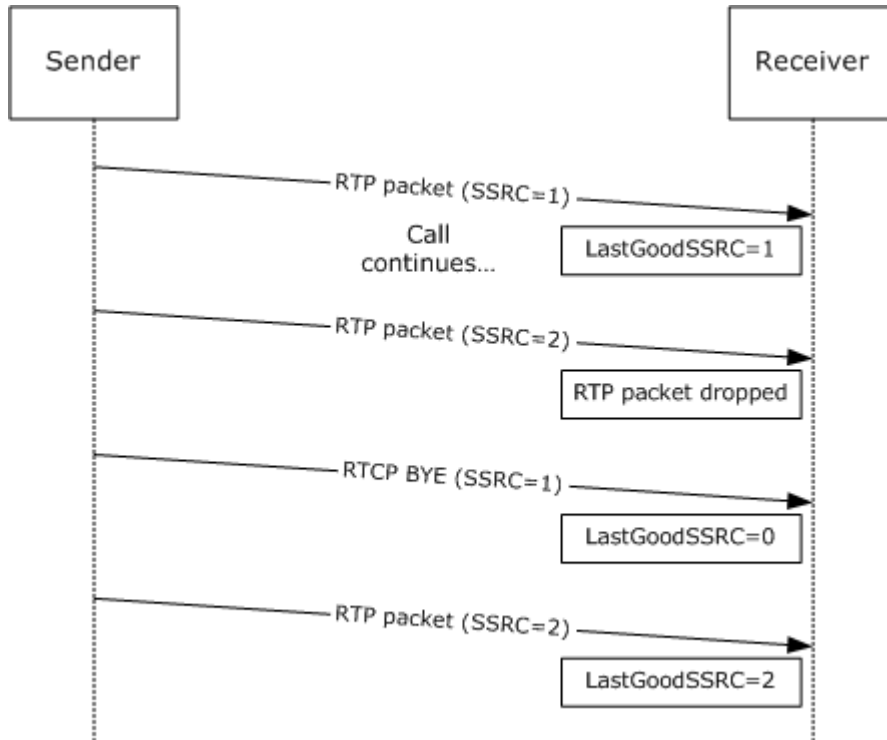


Figure 3: Flow of messages from sender to receiver

At the first **SSRC** change (from SSRC=1 to SSRC=2), RTP packets with SSRC=2 are dropped. When an RTCP BYE is received for SSRC=1, SSRC=2 becomes the new **LastGoodSSRC**. Packets with SSRC=2 are rendered.

4.2 Bandwidth Estimation

The next diagram represents an exchange of messages between two hosts.

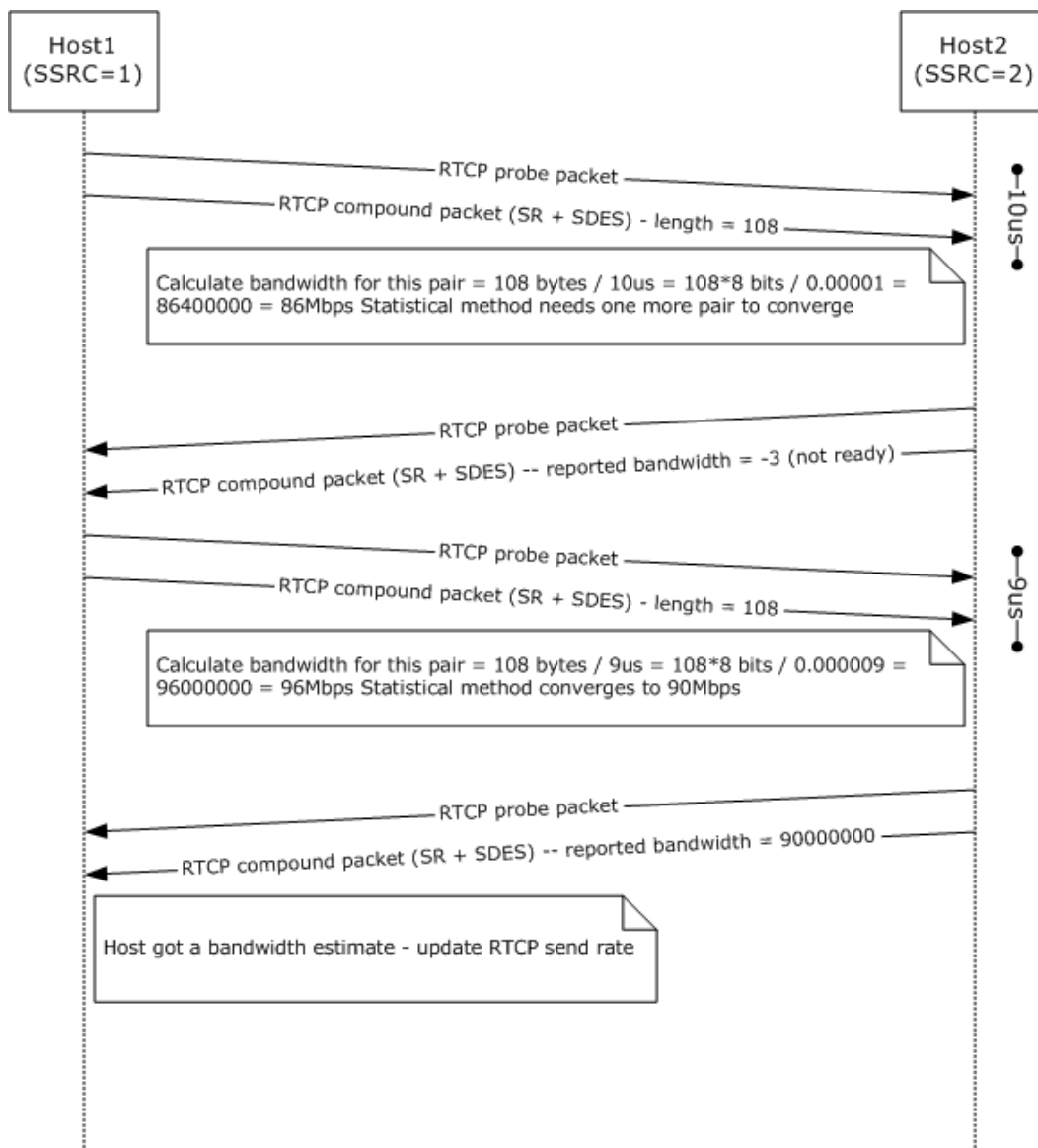


Figure 4: Exchange of messages between two hosts

On receipt of the first [RTCP packet pair](#), Host2 would normally be able to calculate the bandwidth from the initial packet pair; however, its particular statistical method needs a second pair to converge. Host2 sends 0xFFFFFFFF to Host1 in the bandwidth report to indicate that the estimation is not ready. After Host2 receives a second RTCP packet pair, Host2 calculates the bandwidth again. Because Host2's statistical method produces a result, Host2 sends that result back to Host1 on the next bandwidth report.

4.3 Key Derivation

Input from SDP [\[MS-SDP\]](#):

```
k=base64:vzSywNPIJig9m/MkxCoVv1mSNA1PdKgf3cASr9lXvhrXXbnCfW5R45/YntIT
```

The Unicode string after base64 decoding:

```
\xbf4\xb2\xc0\xd3\xc8& (= \u203a\xf3$\xc4*\x15\xbfY\u20194\tOt\xa8\x1f\xdd\xc0\x12\xaf\xd9W\xbe\x1a\xd7]\xb9\xc2}nQ\xe3\u0178\xd8\u017e\xd2\x13
```

The UTF-8 string after being converted to UTF-8 code point:

```
\xc2\xbf4\xc2\xb2\xc3\x80\xc3\x93\xc3\x88& (= \xe2\x80\xba\xc3\xb3$\xc3\x84*\x15\xc2\xbfY\xe2\x80\x994\tOt\xc2\xa8\x1f\xc3\x9d\xc3\x80\x12\xc2\xaf\xc3\x99W\xc2\xbe\x1a\xc3\x97]\xc2\xb9\xc3\x82}nQ\xc3\xa3\xc5\xb8\xc3\x98\xc5\xbe\xc3\x92\x13
```

Output:

DES CBC key should be the first 56 bits of the 128-bit MD5 hash result. Note that according to [\[FIPS46-3\]](#), parity bit is added for each 7 bits at the most significant position to form an 8-byte key. The following is the key with the parity bit.

```
01CE0B5B75DF401F
```


5 Security

5.1 Security Considerations for Implementers

There are no additional security considerations for RTPME beyond those specified in [\[RFC3550\]](#) and [\[RFC3551\]](#).

5.2 Index of Security Parameters

There are no additional security considerations for RTPME beyond those specified in [\[RFC3550\]](#) and [\[RFC3551\]](#).

6 Appendix A: Product Behavior

The information in this specification is applicable to the following Microsoft products or supplemental software. References to product versions include released service packs:

- Windows 2000 operating system
- Windows XP operating system
- Windows Server 2003 operating system

Exceptions, if any, are noted below. If a service pack or Quick Fix Engineering (QFE) number appears with the product version, behavior changed in that service pack or QFE. The new behavior also applies to subsequent service packs of the product unless otherwise specified. If a product edition appears with the product version, behavior is different in that product edition.

Unless otherwise specified, any statement of optional behavior in this specification that is prescribed using the terms SHOULD or SHOULD NOT implies product behavior in accordance with the SHOULD or SHOULD NOT prescription. Unless otherwise specified, the term MAY implies that the product does not follow the prescription.

7 Change Tracking

No table of changes is available. The document is either new or has had no changes since its last release.

8 Index

A

Abstract data model
[RTCP](#) 19
[RTP](#) 17
[Applicability](#) 11

B

[Bandwidth estimation example](#) 22

C

[Capability negotiation](#) 12
[Change tracking](#) 27
[Confidentiality](#) 13

D

Data model - abstract
[RTCP](#) 19
[RTP](#) 17

E

Examples
[bandwidth estimation](#) 22
[key derivation](#) 23
[overview](#) 22
[SSRC change throttling](#) 22

F

[Fields - vendor-extensible](#) 12

G

[Glossary](#) 6

H

Higher-layer triggered events
[RTCP](#) 20
[RTP](#) 18

I

[Implementer - security considerations](#) 25
[Index of security parameters](#) 25
[Informative references](#) 10
Initialization
[RTCP](#) 20
[RTP](#) 17
[Introduction](#) 6

K

[Key derivation example](#) 23

L

Local events
[RTCP](#) 21
[RTP](#) 18

M

Message processing
[RTCP](#) 20
[RTP](#) 18
Messages
[confidentiality](#) 13
[syntax](#) 13
[transport](#) 13

N

[Normative references](#) 9

O

[Overview \(synopsis\)](#) 10

P

Packets
RTCP
[compound](#) 14
[pair](#) 14
[probe](#) 14
[RTP](#) 13
[Parameters - security index](#) 25
[Preconditions](#) 11
[Prerequisites](#) 11
[Product behavior](#) 26

R

References
[informative](#) 10
[normative](#) 9
[Relationship to other protocols](#) 11
[Report - RTCP - sender](#) 15
RTCP
[abstract data model](#) 19
[compound packets](#) 14
[higher-layer triggered events](#) 20
[initialization](#) 20
[local events](#) 21
[message processing](#) 20
[overview](#) 18
[packet pair](#) 14
[probe packets](#) 14
[SDES](#) 15
[sender report](#) 15
[sequencing rules](#) 20
[timer events](#) 21

- [timers](#) 19
- [rtcp_estimated_bandwidth_packet](#) 15
- [rtcp_extension_header_packet](#) 15
- RTP
 - [abstract_data_model](#) 17
 - [higher-layer_triggered_events](#) 18
 - [initialization](#) 17
 - [local_events](#) 18
 - [message_processing](#) 18
 - [overview](#) 17
 - [packets](#) 13
 - [sequencing_rules](#) 18
 - [timer_events](#) 18
 - [timers](#) 17

S

- [SDES - RTCP](#) 15
- Security
 - [implementer_considerations](#) 25
 - [parameter_index](#) 25
- Sequencing rules
 - [RTCP](#) 20
 - [RTP](#) 18
- [SSRC_change_throttling_example](#) 22
- [Standards_assignments](#) 12
- [Syntax](#) 13

T

- Timer events
 - [RTCP](#) 21
 - [RTP](#) 18
- Timers
 - [RTCP](#) 19
 - [RTP](#) 17
- [Tracking_changes](#) 27
- [Transport](#) 13
- Triggered events - higher-layer
 - [RTCP](#) 20
 - [RTP](#) 18

V

- [Vendor-extensible_fields](#) 12
- [Versioning](#) 12