

# [MS-RDPEMT]: Remote Desktop Protocol: Multitransport Extension

---

## Intellectual Property Rights Notice for Open Specifications Documentation

- **Technical Documentation.** Microsoft publishes Open Specifications documentation for protocols, file formats, languages, standards as well as overviews of the interaction among each of these technologies.
- **Copyrights.** This documentation is covered by Microsoft copyrights. Regardless of any other terms that are contained in the terms of use for the Microsoft website that hosts this documentation, you may make copies of it in order to develop implementations of the technologies described in the Open Specifications and may distribute portions of it in your implementations using these technologies or your documentation as necessary to properly document the implementation. You may also distribute in your implementation, with or without modification, any schema, IDL's, or code samples that are included in the documentation. This permission also applies to any documents that are referenced in the Open Specifications.
- **No Trade Secrets.** Microsoft does not claim any trade secret rights in this documentation.
- **Patents.** Microsoft has patents that may cover your implementations of the technologies described in the Open Specifications. Neither this notice nor Microsoft's delivery of the documentation grants any licenses under those or any other Microsoft patents. However, a given Open Specification may be covered by Microsoft [Open Specification Promise](#) or the [Community Promise](#). If you would prefer a written license, or if the technologies described in the Open Specifications are not covered by the Open Specifications Promise or Community Promise, as applicable, patent licenses are available by contacting [iplg@microsoft.com](mailto:iplg@microsoft.com).
- **Trademarks.** The names of companies and products contained in this documentation may be covered by trademarks or similar intellectual property rights. This notice does not grant any licenses under those rights. For a list of Microsoft trademarks, visit [www.microsoft.com/trademarks](http://www.microsoft.com/trademarks).
- **Fictitious Names.** The example companies, organizations, products, domain names, email addresses, logos, people, places, and events depicted in this documentation are fictitious. No association with any real company, organization, product, domain name, email address, logo, person, place, or event is intended or should be inferred.

**Reservation of Rights.** All other rights are reserved, and this notice does not grant any rights other than specifically described above, whether by implication, estoppel, or otherwise.

**Tools.** The Open Specifications do not require the use of Microsoft programming tools or programming environments in order for you to develop an implementation. If you have access to Microsoft programming tools and environments you are free to take advantage of them. Certain Open Specifications are intended for use in conjunction with publicly available standard specifications and network programming art, and assumes that the reader either is familiar with the aforementioned material or has immediate access to it.

## Revision Summary

| Date       | Revision History | Revision Class | Comments   |
|------------|------------------|----------------|--|
| 12/16/2011 | 1.0              | New            | Released new document.   |
| 03/30/2012 | 1.0              | No change      | No changes to the meaning, language, or formatting of the technical content. |
| 07/12/2012 | 2.0              | Major          | Significantly changed the technical content.                                 |
| 10/25/2012 | 3.0              | Major          | Significantly changed the technical content.                                 |
| 01/31/2013 | 4.0              | Major          | Significantly changed the technical content.                                 |
| 08/08/2013 | 5.0              | Major          | Significantly changed the technical content.                                 |
| 11/14/2013 | 6.0              | Major          | Significantly changed the technical content.                                 |
| 02/13/2014 | 6.0              | No change      | No changes to the meaning, language, or formatting of the technical content. |
| 05/15/2014 | 6.0              | No change      | No changes to the meaning, language, or formatting of the technical content. |

# Contents

|   |           |
|---|-----------|
| <b>1 Introduction</b>   | <b>5</b>  |
| 1.1 Glossary  | 5         |
| 1.2 References  | 5         |
| 1.2.1 Normative References  | 5         |
| 1.2.2 Informative References  | 6         |
| 1.3 Overview  | 6         |
| 1.3.1 Messages and Intersection with Other Protocols                | 6         |
| 1.3.2 RDP Channels and Multitransport Connections                   | 7         |
| 1.3.3 Connection Termination  | 9         |
| 1.4 Relationship to Other Protocols                                 | 9         |
| 1.5 Prerequisites/Preconditions                                     | 9         |
| 1.6 Applicability Statement   | 9         |
| 1.7 Versioning and Capability Negotiation                           | 9         |
| 1.8 Vendor-Extensible Fields  | 9         |
| 1.9 Standards Assignments   | 9         |
| <b>2 Messages</b>   | <b>10</b> |
| 2.1 Transport   | 10        |
| 2.2 Message Syntax  | 10        |
| 2.2.1 Common Data Types   | 10        |
| 2.2.1.1 Tunnel PDU Header (RDP_TUNNEL_HEADER)                       | 10        |
| 2.2.1.1.1 Tunnel PDU Subheader (RDP_TUNNEL_SUBHEADER)               | 11        |
| 2.2.2 Multitransport PDUs   | 12        |
| 2.2.2.1 Tunnel Create Request PDU (RDP_TUNNEL_CREATEREQUEST)        | 12        |
| 2.2.2.2 Tunnel Create Response PDU (RDP_TUNNEL_CREATERESPONSE)      | 12        |
| 2.2.2.3 Tunnel Data PDU (RDP_TUNNEL_DATA)                           | 13        |
| <b>3 Protocol Details</b>   | <b>14</b> |
| 3.1 Common Details  | 14        |
| 3.1.1 Abstract Data Model   | 14        |
| 3.1.2 Timers  | 14        |
| 3.1.3 Initialization  | 14        |
| 3.1.4 Higher-Layer Triggered Events                                 | 14        |
| 3.1.5 Message Processing Events and Sequencing Rules                | 14        |
| 3.1.5.1 Processing the Action Field of the Tunnel PDU Header        | 14        |
| 3.1.5.2 Processing the PayloadLength Field of the Tunnel PDU Header | 14        |
| 3.1.5.3 Processing the HeaderLength Field of the Tunnel PDU Header  | 15        |
| 3.1.5.4 Processing Tunnel Data PDUs                                 | 15        |
| 3.1.5.5 Sequencing of PDUs on the Multitransport Connection         | 15        |
| 3.1.6 Timer Events  | 15        |
| 3.1.7 Other Local Events  | 15        |
| 3.2 Server Details  | 15        |
| 3.2.1 Abstract Data Model   | 15        |
| 3.2.2 Timers  | 16        |
| 3.2.3 Initialization  | 16        |
| 3.2.4 Higher-Layer Triggered Events                                 | 16        |
| 3.2.5 Message Processing Events and Sequencing Rules                | 16        |
| 3.2.5.1 Processing the RDP_TUNNEL_CREATEREQUEST PDU                 | 16        |
| 3.2.6 Timer Events  | 16        |
| 3.2.7 Other Local Events  | 16        |

|          |   |           |
|----------|---|-----------|
| 3.3      | Client Details.....                                 | 17        |
| 3.3.1    | Abstract Data Model .....                           | 17        |
| 3.3.2    | Timers .....  | 17        |
| 3.3.3    | Initialization .....                                | 17        |
| 3.3.4    | Higher-Layer Triggered Events.....                  | 17        |
| 3.3.5    | Message Processing Events and Sequencing Rules..... | 17        |
| 3.3.5.1  | Processing the RDP_TUNNEL_CREATERESPONSE PDU .....  | 17        |
| 3.3.6    | Timer Events .....                                  | 17        |
| 3.3.7    | Other Local Events .....                            | 17        |
| <b>4</b> | <b>Protocol Examples.....</b>                       | <b>18</b> |
| 4.1      | Tunnel Create Request PDU .....                     | 18        |
| 4.2      | Tunnel Create Response PDU .....                    | 18        |
| <b>5</b> | <b>Security.....</b>                                | <b>19</b> |
| 5.1      | Security Considerations for Implementers.....       | 19        |
| 5.2      | Index of Security Parameters .....                  | 19        |
| <b>6</b> | <b>Appendix A: Product Behavior .....</b>           | <b>20</b> |
| <b>7</b> | <b>Change Tracking.....</b>                         | <b>21</b> |
| <b>8</b> | <b>Index .....</b>                                  | <b>22</b> |

# 1 Introduction

This document specifies the Remote Desktop Protocol: Multitransport Extension to Remote Desktop Protocol: Basic Connectivity and Graphics Remoting, as specified in [\[MS-RDPBCGR\]](#) sections [1](#), [2](#), [3](#), [4](#), and [5](#). This protocol is used to implement multiple transport connections between a **Remote Desktop Protocol (RDP)** client and server.

Sections 1.8, 2, and 3 of this specification are normative and can contain the terms MAY, SHOULD, MUST, MUST NOT, and SHOULD NOT as defined in RFC 2119. Sections 1.5 and 1.9 are also normative but cannot contain those terms. All other sections and examples in this specification are informative.

## 1.1 Glossary

The following terms are defined in [\[MS-GLOS\]](#):

**message mode**  
**PDU**  
**protocol data unit (PDU)**  
**Remote Desktop Protocol (RDP)**  
**Transmission Control Protocol (TCP)**

The following terms are specific to this document:

**cookie:** A randomly generated, 16-byte sequence that is used to authenticate the client to the server during the creation of a multitransport connection.

**MAY, SHOULD, MUST, SHOULD NOT, MUST NOT:** These terms (in all caps) are used as described in [\[RFC2119\]](#). All statements of optional behavior use either MAY, SHOULD, or SHOULD NOT.

## 1.2 References

References to Microsoft Open Specifications documentation do not include a publishing year because links are to the latest version of the documents, which are updated frequently. References to other documents include a publishing year when one is available.

### 1.2.1 Normative References

We conduct frequent surveys of the normative references to assure their continued availability. If you have any issue with finding a normative reference, please contact [dochelp@microsoft.com](mailto:dochelp@microsoft.com). We will assist you in finding the relevant information.

[MS-DTYP] Microsoft Corporation, "[Windows Data Types](#)".

[MS-ERREF] Microsoft Corporation, "[Windows Error Codes](#)".

[MS-RDPBCGR] Microsoft Corporation, "[Remote Desktop Protocol: Basic Connectivity and Graphics Remoting](#)".

[MS-RDPEDYC] Microsoft Corporation, "[Remote Desktop Protocol: Dynamic Channel Virtual Channel Extension](#)".

[MS-RDPEUDP] Microsoft Corporation, "[Remote Desktop Protocol: UDP Transport Extension](#)".

[RFC2119] Bradner, S., "Key words for use in RFCs to Indicate Requirement Levels", BCP 14, RFC 2119, March 1997, <http://www.rfc-editor.org/rfc/rfc2119.txt>

[RFC2246] Dierks, T., and Allen, C., "The TLS Protocol Version 1.0", RFC 2246, January 1999, <http://www.ietf.org/rfc/rfc2246.txt>

[RFC4346] Dierks, T., and Rescorla, E., "The Transport Layer Security (TLS) Protocol Version 1.1", RFC 4346, April 2006, <http://www.ietf.org/rfc/rfc4346.txt>

[RFC4347] Rescorla, E., and Modadugu, N., "Datagram Transport Layer Security", RFC 4347, April 2006, <http://www.ietf.org/rfc/rfc4347.txt>

[RFC5246] Dierks, T., and Rescorla, E., "The Transport Layer Security (TLS) Protocol Version 1.2", RFC 5246, August 2008, <http://www.ietf.org/rfc/rfc5246.txt>

## 1.2.2 Informative References

[MS-GLOS] Microsoft Corporation, "[Windows Protocols Master Glossary](#)".

## 1.3 Overview

The Remote Desktop Protocol: Multitransport Extension enables multiple side-band channels (also referred to as "multitransport connections") between an RDP client and server over different underlying transport protocols such as reliable UDP, or lossy UDP ([[MS-RDPEUDP](#)] section 1.3.1). Each multitransport connection leverages the strengths of the underlying transport protocol to efficiently deliver different types of RDP content, thereby improving the user's experience, especially on WAN or wireless networks.

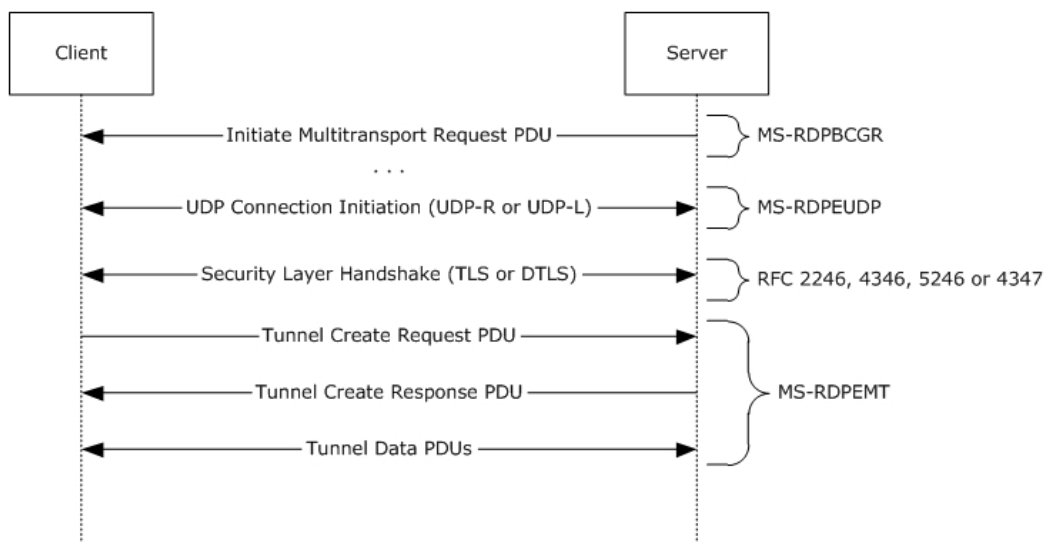
After the main RDP connection has been established and secured, the server can initiate multitransport connections if it is determined that the connection would benefit from additional transports. Each multitransport connection that is initiated is bootstrapped with data that is exchanged on the main RDP connection by using the server-to-client Initiate Multitransport Request PDU ([[MS-RDPBCGR](#)] section 2.2.15.1) sent during the RDP connection sequence ([[MS-RDPBCGR](#)] section 1.3.1.1).

The Initiate Multitransport Request PDU contains information that uniquely identifies the multitransport connection; it contains a request ID and a **cookie**, a protocol identifier that identifies the type of multitransport connection the client should attempt to establish, and a port number that identifies the port on which the server is listening. When the client receives the Initiate Multitransport Request PDU, it attempts to establish a secure multitransport connection with the server.

All multitransport connections are secured by using either Transport Layer Security (TLS) ([[RFC2246](#)], [[RFC4346](#)] and [[RFC5246](#)]) or Datagram Transport Layer Security (DTLS) ([[RFC4347](#)]). TLS is used to secure transport connections that ensure the reliable delivery of data, while DTLS is used to secure transport connections that can potentially lose data. If the creation of the underlying transport connection is successful and the TLS or DTLS handshake succeeds, then the multitransport connection is used to transport selected dynamic virtual channel traffic.

### 1.3.1 Messages and Intersection with Other Protocols

Bootstrapping, creating, securing and finalizing a multitransport connection uses messages from a number of protocols. The following sequence diagram presents an overview of these messages and protocols.



**Figure 1: Messages used by multitransport connections**

The RDP server initiates a multitransport connection by sending an Initiate Multitransport Request PDU ([MS-RDPBCGR] section 2.2.15.1) to the RDP client over the main RDP connection. Upon receiving the Initiate Multitransport Request PDU the client initiates the creation of the requested transport (reliable or lossy UDP) as described in [MS-RDPEUDP] sections 1.3.2 and 1.3.2.1.

After the transport has been successfully set up, the connection is secured by using Transport Layer Security (TLS) or Datagram Transport Layer Security (DTLS) to set up a secure channel. TLS ([RFC2246], [RFC4346] and [RFC5246]) is used to secure reliable UDP transport connections, while DTLS ([RFC4347]) is used to secure lossy UDP transport connections.

Once the secure channel has been established, the client finalizes the creation of the multitransport connection by sending a request ID and a security cookie to the server in the Tunnel Create Request PDU (section 2.2.2.1); this PDU is sent over the newly created and secured multitransport connection. The data sent in the Tunnel Create Request PDU must be identical to the data that the client received over the main RDP connection as part of the Initiate Multitransport Request PDU. The server compares the data in the Tunnel Create Request PDU to the data that was sent over the main RDP connection in the Initiate Multitransport Request PDU. This comparison allows the server to match the incoming multitransport connection request to an existing main RDP connection and to authenticate the connection based on the security cookie. If the security check succeeds, the server indicates to the client that it was able to successfully initialize the multitransport connection by sending the Tunnel Create Response PDU (section 2.2.2.2) over the multitransport connection. The server and client can then start transferring data over the multitransport connection.

All data is transferred over the multitransport connection in **message mode**. The Tunnel PDU Header (section 2.2.1.1) includes the size of the message that the multitransport **protocol data unit (PDU)** contains; the client assembles the entire message before delivering it to the upper layers.

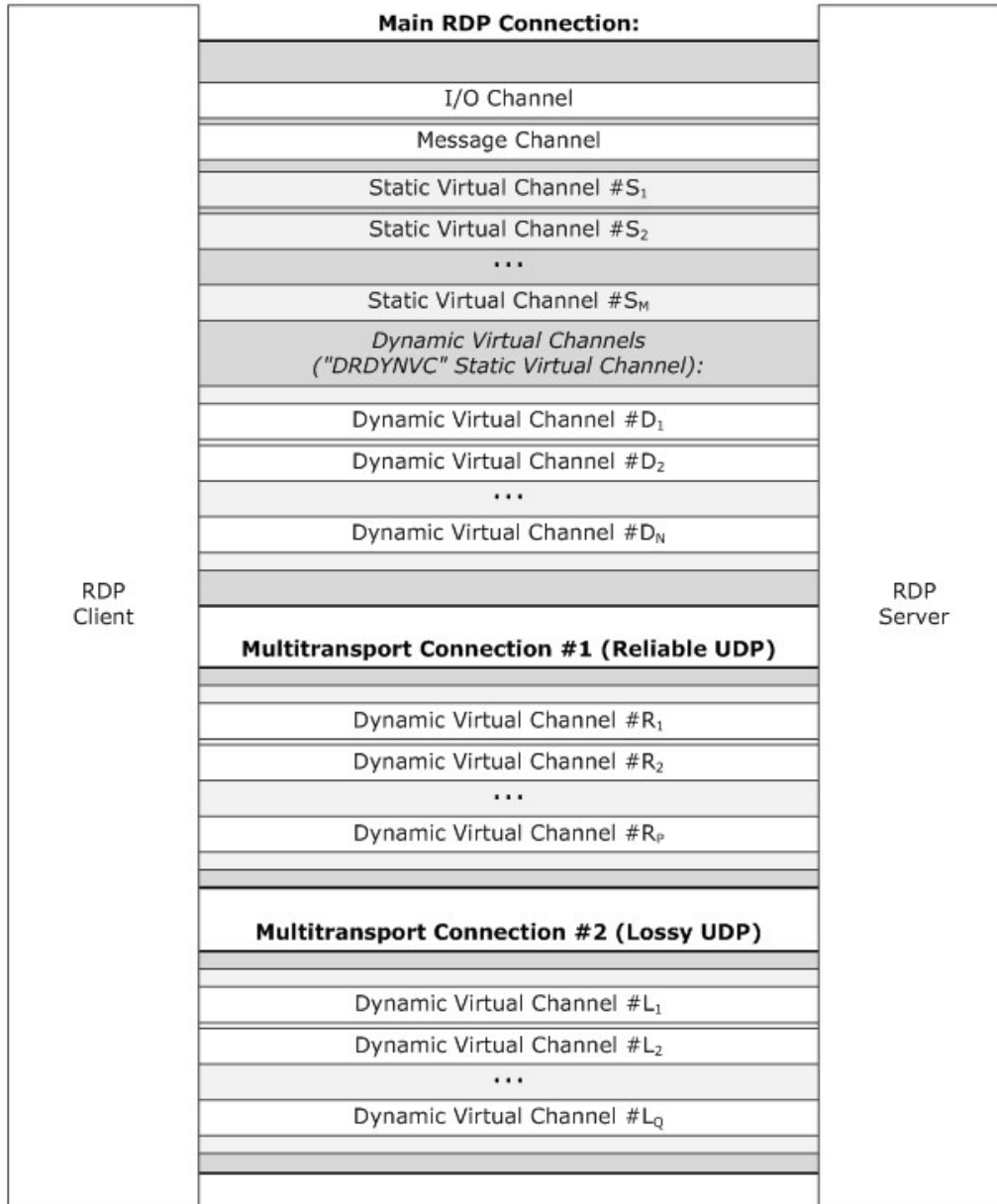
### 1.3.2 RDP Channels and Multitransport Connections

The main RDP connection is encapsulated in the **Transmission Control Protocol (TCP)** ([MS-RDPBCGR] section 2.1). The I/O channel ([MS-RDPBCGR] section 3.2.1.3 and 3.3.1.3) and the optional message channel ([MS-RDPBCGR] sections 3.2.1.3 and 3.3.1.5) are encapsulated within the main RDP connection and are used to transport core RDP PDUs, input and graphics data. In

addition to these two channels there is a collection of negotiated static virtual channels ([MS-RDPBCGR] section 1.3.3). One of these static virtual channels, named "DRDYNVC", multiplexes a collection of dynamic virtual channels ([MS-RDPEDYC] sections 1, 2 and 3).

Multitransport connections run over a separate transport protocol to the main RDP connection and multiplex a collection of selected dynamic virtual channels.

The following figure illustrates the hierarchy and encapsulation of RDP channels and transports.



**Figure 2: RDP channels and transport**



### 1.3.3 Connection Termination

There is no explicit connection-termination protocol over a multitransport connection. The client and server terminate the multitransport connection and disconnect the underlying transports when the main RDP connection is disconnected by the server or the client.

### 1.4 Relationship to Other Protocols

The Remote Desktop Protocol: Multitransport Extension operates over the RDP-UDP protocol, as defined in [MS-RDPEUDP] sections 1, 2 and 3. Protocol traffic (section 2.2) is secured by using Transport Layer Security (TLS) ([RFC2246], [RFC4346] and [RFC5246]) for reliable RDP-UDP streams and Datagram Transport Layer Security (DTLS) ([RFC4347]) for unreliable (lossy) RDP-UDP streams. The TLS or DTLS handshake, as well as the encrypted payload, are embedded in the RDPUDP\_SOURCE\_PAYLOAD\_HEADER as defined in [MS-RDPEUDP].

A multitransport connection is initiated by an RDP server sending the Initiate Multitransport Request PDU ([MS-RDPBCGR] section 2.2.15.1) to an RDP client over the main RDP connection.

### 1.5 Prerequisites/Preconditions

The multitransport connection must be initiated over the main RDP connection using the Initiate Multitransport Request PDU ([MS-RDPBCGR] section 2.2.15.1). The underlying RDP-UDP ([MS-RDPEUDP] sections 1, 2, and 3) transport which is created must be secured with Transport Layer Security (TLS) or Datagram Transport Layer Security (DTLS). Furthermore, the client and server MUST support the Remote Desktop Protocol: Dynamic Channel Virtual Channel Extension (as specified in [MS-RDPEDYC]) and the client MUST advertise support for the "DRDYNCV" static channel in the Client Network Data block ([MS-RDPBCGR] section 2.2.1.3.4) sent in the MCS Connect Initial PDU with GCC Conference Create Request ([MS-RDPBCGR] section 2.2.1.3).

### 1.6 Applicability Statement

The Remote Desktop Protocol: Multitransport Extension is applicable in scenarios where multiple side-band channels over different underlying transport protocols are required between an RDP client and server.

### 1.7 Versioning and Capability Negotiation

Support for multitransport in the Remote Desktop Protocol: Multitransport Extension is advertised by the client using the Client Multitransport Channel Data ([MS-RDPBCGR] section 2.2.1.3.8), while the server advertises support in the Server Multitransport Channel Data ([MS-RDPBCGR] section 2.2.1.4.6).

### 1.8 Vendor-Extensible Fields

None.

### 1.9 Standards Assignments

None.

## 2 Messages

### 2.1 Transport

The Remote Desktop Protocol: Multitransport Extension operates over the RDP-UDP protocol, as defined in [\[MS-RDPEUDP\]](#) sections [1](#), [2](#), and [3](#).

Multitransport connections are bootstrapped using the Initiate Multitransport Request PDU ([\[MS-RDPBCGR\]](#) section 2.2.15.1), which is sent from server to client over the main RDP connection.

### 2.2 Message Syntax

The following sections define the Remote Desktop Protocol: Multitransport Extension messages that are exchanged between an RDP client and server.

All multiple-byte fields within a message MUST be marshaled in little-endian byte order, unless otherwise specified.

This protocol references commonly used data types as defined in [\[MS-DTYP\]](#).

#### 2.2.1 Common Data Types

##### 2.2.1.1 Tunnel PDU Header (RDP\_TUNNEL\_HEADER)

The RDP\_TUNNEL\_HEADER structure is a common header included in every multitransport PDU specified in section [2.2.2](#).

|                       |   |   |   |       |   |   |   |               |   |   |   |   |   |   |   |   |   |   |   |              |   |   |   |   |   |   |   |   |   |   |   |
|-----------------------|---|---|---|-------|---|---|---|---------------|---|---|---|---|---|---|---|---|---|---|---|--------------|---|---|---|---|---|---|---|---|---|---|---|
| 0                     | 1 | 2 | 3 | 4     | 5 | 6 | 7 | 8             | 9 | 0 | 1 | 2 | 3 | 4 | 5 | 6 | 7 | 8 | 9 | 0            | 1 | 2 | 3 | 4 | 5 | 6 | 7 | 8 | 9 | 0 | 1 |
| Action                |   |   |   | Flags |   |   |   | PayloadLength |   |   |   |   |   |   |   |   |   |   |   | HeaderLength |   |   |   |   |   |   |   |   |   |   |   |
| SubHeaders (variable) |   |   |   |       |   |   |   |               |   |   |   |   |   |   |   |   |   |   |   |              |   |   |   |   |   |   |   |   |   |   |   |
| ...                   |   |   |   |       |   |   |   |               |   |   |   |   |   |   |   |   |   |   |   |              |   |   |   |   |   |   |   |   |   |   |   |

**Action (4 bits):** A 4-bit unsigned integer that indicates the type of PDU being transmitted.

| Value                                  | Meaning  |
|--|--|
| RDPTUNNEL_ACTION_CREATEREQUEST<br>0x0  | RDP_TUNNEL_CREATEREQUEST (section <a href="#">2.2.2.1</a> )  |
| RDPTUNNEL_ACTION_CREATERESPONSE<br>0x1 | RDP_TUNNEL_CREATERESPONSE (section <a href="#">2.2.2.2</a> ) |
| RDPTUNNEL_ACTION_DATA<br>0x2           | RDP_TUNNEL_DATA (section <a href="#">2.2.2.3</a> )           |

**Flags (4 bits):** A 4-bit unsigned integer that specifies tunnel flags. This field MUST be set to zero.

**PayloadLength (2 bytes):** A 16-bit unsigned integer that specifies the length, in bytes, of the payload following the header. This length MUST NOT include the length of the RDP\_TUNNEL\_HEADER structure.

**HeaderLength (1 byte):** An 8-bit unsigned integer that specifies the combined length, in bytes, of the **Action**, **Flags**, **PayloadLength**, **HeaderLength**, and **SubHeaders** fields. If the value in this field is larger than 4 bytes, then the **SubHeaders** field MUST be present.

**SubHeaders (variable):** An optional, variable-length array of RDP\_TUNNEL\_SUBHEADER structures (section [2.2.1.1.1](#)). This field MUST be present if the value specified in the **HeaderLength** field is larger than 4 bytes.

### 2.2.1.1.1 Tunnel PDU Subheader (RDP\_TUNNEL\_SUBHEADER)

The RDP\_TUNNEL\_SUBHEADER structure defines a variable-length generic subheader that is embedded within the RDP\_TUNNEL\_HEADER structure (section [2.2.1.1](#)).

|                 |   |   |   |   |   |   |   |               |   |   |   |   |   |   |   |                          |   |   |   |   |   |   |   |   |   |   |   |   |   |   |   |
|-----------------|---|---|---|---|---|---|---|---------------|---|---|---|---|---|---|---|--------------------------|---|---|---|---|---|---|---|---|---|---|---|---|---|---|---|
| 0               | 1 | 2 | 3 | 4 | 5 | 6 | 7 | 8             | 9 | 0 | 1 | 2 | 3 | 4 | 5 | 6                        | 7 | 8 | 9 | 0 | 1 | 2 | 3 | 4 | 5 | 6 | 7 | 8 | 9 | 0 | 1 |
| SubHeaderLength |   |   |   |   |   |   |   | SubHeaderType |   |   |   |   |   |   |   | SubHeaderData (variable) |   |   |   |   |   |   |   |   |   |   |   |   |   |   |   |
| ...             |   |   |   |   |   |   |   |               |   |   |   |   |   |   |   |                          |   |   |   |   |   |   |   |   |   |   |   |   |   |   |   |

**SubHeaderLength (1 byte):** An 8-bit unsigned integer that specifies the length, in bytes, of the header fields. This length MUST be a minimum of 0x2 bytes since the **SubHeaderLength** and **SubHeaderType** fields are an implicit part of the header. The remaining header fields (specific to the subheader type) are embedded in the **SubHeaderData** field.

**SubHeaderType (1 byte):** An 8-bit unsigned integer that specifies the high-level type of the subheader.

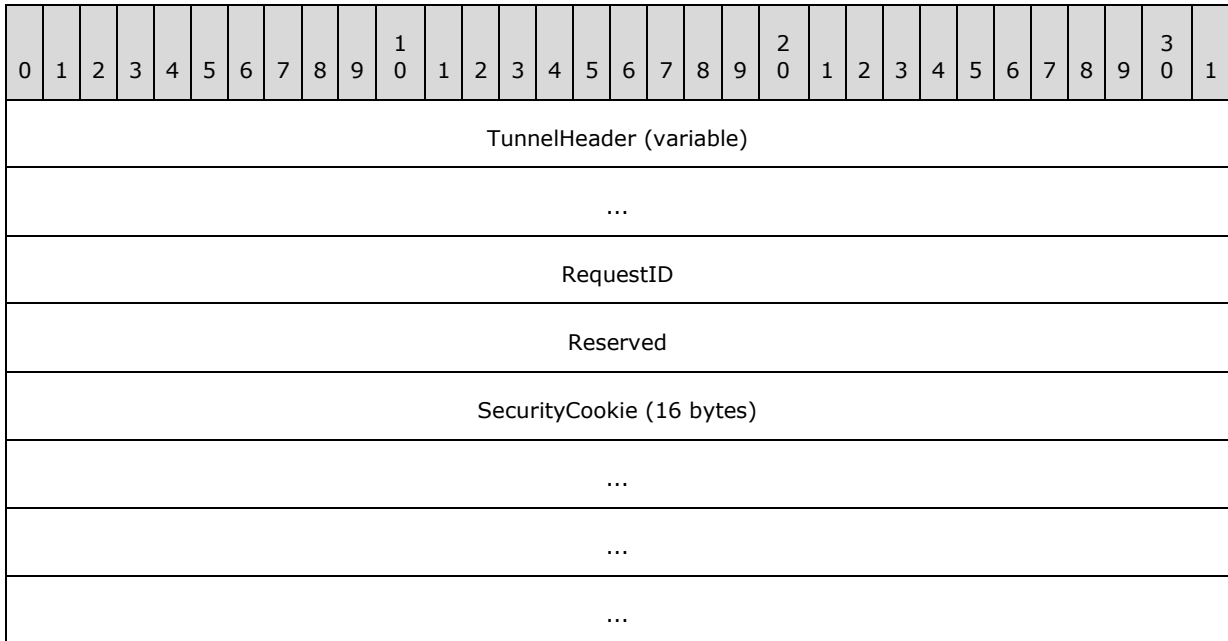
| Value                               | Meaning   |
|-------------------------------------|---|
| TYPE_ID_AUTODETECT_REQUEST<br>0x00  | <p>The subheader conforms to one of the following auto-detect request structures:</p> <ul style="list-style-type: none"> <li>▪ Bandwidth Measure Start (<a href="#">[MS-RDPBCGR]</a> section 2.2.14.1.2)</li> <li>▪ Bandwidth Measure Stop (<a href="#">[MS-RDPBCGR]</a> section 2.2.14.1.4)</li> <li>▪ Network Characteristics Result (<a href="#">[MS-RDPBCGR]</a> section 2.2.14.1.5)</li> </ul> <p>The specific auto-detect request structure type MUST be determined by examining the common <b>requestType</b> field.</p> |
| TYPE_ID_AUTODETECT_RESPONSE<br>0x01 | <p>The subheader conforms to the Bandwidth Measure Results (<a href="#">[MS-RDPBCGR]</a> section 2.2.14.2.2) auto-detect response structure.</p>  |

**SubHeaderData (variable):** A variable-length field that contains data specific to the high-level subheader type.

## 2.2.2 Multitransport PDUs

### 2.2.2.1 Tunnel Create Request PDU (RDP\_TUNNEL\_CREATEREQUEST)

The RDP\_TUNNEL\_CREATEREQUEST PDU is sent by the client to request the creation of a multitransport tunnel.



**TunnelHeader (variable):** An RDP\_TUNNEL\_HEADER structure (section [2.2.1.1](#)). The **Action** field MUST be set to RDPTUNNEL\_ACTION\_CREATEREQUEST (0x0).

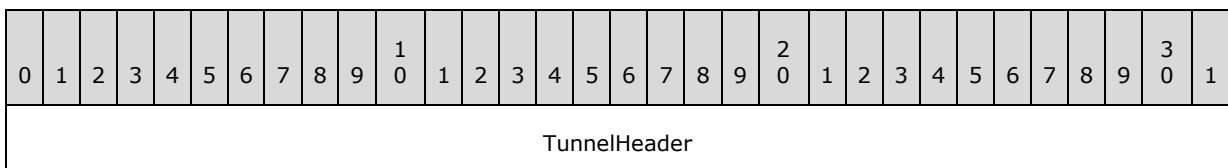
**RequestID (4 bytes):** A 32-bit unsigned integer that contains the request ID included in the Initiate Multitransport Request PDU ([\[MS-RDPBCGR\]](#) section 2.2.15.1) that was sent over the main RDP connection.

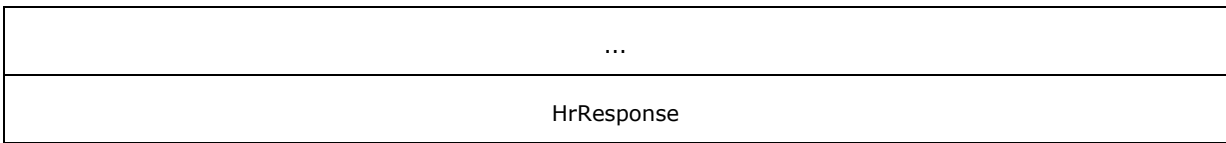
**Reserved (4 bytes):** A 32-bit unsigned integer that is unused and reserved for future use. This field MUST be set to zero.

**SecurityCookie (16 bytes):** A 16-byte element array of 8-bit unsigned integers that contains the security cookie included in the Initiate Multitransport Request PDU that was sent over the main RDP connection.

### 2.2.2.2 Tunnel Create Response PDU (RDP\_TUNNEL\_CREATERESPONSE)

The RDP\_TUNNEL\_CREATERESPONSE PDU is sent by the server to confirm the creation of a multitransport tunnel.



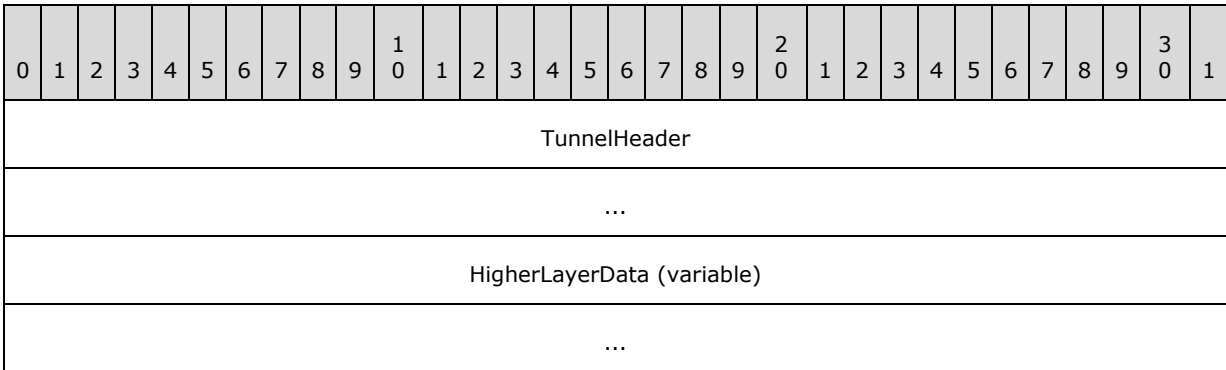


**TunnelHeader (variable):** An RDP\_TUNNEL\_HEADER structure (section [2.2.1.1](#)). The **Action** field MUST be set to RDPTUNNEL\_ACTION\_CREATERESPONSE (0x1).

**HrResponse (4 bytes):** An HRESULT code ([\[MS-ERREF\]](#) section 2.1) that indicates whether the server accepted the request to create a multitransport connection. [<2>](#)

### 2.2.2.3 Tunnel Data PDU (RDP\_TUNNEL\_DATA)

The RDP\_TUNNEL\_DATA PDU is used by the client and server to transport higher-layer data between RDP end-points.



**TunnelHeader (variable):** An RDP\_TUNNEL\_HEADER structure (section [2.2.1.1](#)). The **Action** field MUST be set to RDPTUNNEL\_ACTION\_DATA (0x2).

**HigherLayerData (variable):** A variable-length array of 8-bit unsigned integers that contains the data that is being transported from one RDP endpoint to another.

## 3 Protocol Details

### 3.1 Common Details

#### 3.1.1 Abstract Data Model

None.

#### 3.1.2 Timers

None.

#### 3.1.3 Initialization

None.

#### 3.1.4 Higher-Layer Triggered Events

None.

#### 3.1.5 Message Processing Events and Sequencing Rules

All the PDUs that are sent over the multitransport connection contain an RDP\_TUNNEL\_HEADER structure (section [2.2.1.1](#)) encapsulated in a mandatory **TunnelHeader** field.

##### 3.1.5.1 Processing the Action Field of the Tunnel PDU Header

The basic processing of a Tunnel PDU Header (section [2.2.1.1](#)) begins with the reading of the **Action** field, which determines the type of PDU that MUST be processed. During the connection establishment phase, the client first sends an RDP\_TUNNEL\_CREATEREQUEST PDU (section [2.2.2.1](#)) over the multitransport connection. This PDU is constructed by using the information sent in the Initiate Multitransport Request PDU ([\[MS-RDPBCGR\]](#) section 2.2.15.1) received over the main RDP connection. The PDU has an action code of RDPTUNNEL\_ACTION\_CREATEREQUEST (0x0), indicating to the server that it MUST process this PDU as a Tunnel Create Request PDU.

The response to this Tunnel Create Request PDU, an RDP\_TUNNEL\_CREATERESPONSE PDU (section [2.2.2.2](#)), is sent by the server to the client using an action code of RDPTUNNEL\_ACTION\_CREATERESPONSE (0x1). This action code indicates to the client that the PDU MUST be decoded as a Tunnel Create Response PDU, as defined in section [2.2.2.2](#).

After the multitransport connection is established, all data transfer from the upper layers is implemented using an action code of RDPTUNNEL\_ACTION\_DATA (0x2), which indicates to the receiving endpoint that the PDU contains opaque data from upper layers.

##### 3.1.5.2 Processing the PayloadLength Field of the Tunnel PDU Header

The multitransport connection operates in message mode. The **PayloadLength** field of the RDP\_TUNNEL\_HEADER structure (section [2.2.1.1](#)) indicates the total number of bytes in the PDU, excluding the length of the RDP\_TUNNEL\_HEADER structure. The receiving endpoint uses this value to continue reading the incoming byte stream from the lower layer until the total number of bytes read equals the length contained in the **PayloadLength** field. After the receiver has read the entire PDU, the PDU MUST be delivered to the upper layers.

### 3.1.5.3 Processing the HeaderLength Field of the Tunnel PDU Header

For the Tunnel Create Request PDU (section [2.2.2.1](#)) and Tunnel Create Response PDU (section [2.2.2.2](#)), the **HeaderLength** field MUST be 0x04.

For Tunnel Data PDUs (section [2.2.2.3](#)), the **HeaderLength** field indicates the offset from the beginning of the PDU to where the first byte of the actual payload data begins. The **HeaderLength** field MUST contain a value that is greater than or equal to the size of the RDP\_TUNNEL\_HEADER structure (section [2.2.1.1](#)). A field size greater than the size of the RDP\_TUNNEL\_HEADER structure indicates the presence of one or more RDP\_TUNNEL\_SUBHEADER structures (section [2.2.1.1.1](#)) in the **SubHeaders** field.

The multitransport connection tunnel layer provides a provision for subheaders to be embedded within the tunnel layer, thereby enabling client and server extensions of the protocol. Currently, the RDP Network Characteristics Detection structures ([\[MS-RDPBCGR\]](#) section 2.2.14) can be embedded within the Tunnel Header.

Each subheader definition begins with a one byte **SubHeaderLength** field that indicates the length of the subheader. This field is followed by a one byte **SubHeaderType** field, which is used as an identifier of the high-level subheader. The data for the subheader itself follows the **SubHeaderType** field.

### 3.1.5.4 Processing Tunnel Data PDUs

Tunnel Data PDUs (section [2.2.2.3](#)) are transmitted with the **Action** field of the embedded RDP\_TUNNEL\_HEADER structure (section [2.2.1.1](#)) set to RDPTUNNEL\_ACTION\_DATA (0x3).

The offset, in bytes, to the start of the data payload is stored in the **HeaderLength** field of the embedded RDP\_TUNNEL\_HEADER structure, as described in section [3.1.5.3](#). The total length, in bytes, of the data payload is stored in the **PayloadLength** field as described in section [3.1.5.2](#).

### 3.1.5.5 Sequencing of PDUs on the Multitransport Connection

The Remote Desktop Protocol: Multitransport Extension MUST begin with the RDP\_TUNNEL\_CREATEREQUEST PDU (section [2.2.2.1](#)), which is sent from the client to the server. The client MUST NOT send any data to the server until it receives the RDP\_TUNNEL\_CREATERESPONSE\_PDU (section [2.2.2.2](#)) with a successful HRESULT code. The server MUST NOT send any data until it has received the RDP\_TUNNEL\_CREATEREQUEST PDU, processed it, and sent an RDP\_TUNNEL\_CREATERESPONSE PDU with a successful HRESULT code to the client.

### 3.1.6 Timer Events

None.

### 3.1.7 Other Local Events

None.

## 3.2 Server Details

### 3.2.1 Abstract Data Model

**Connection Store:** In order to match incoming multitransport connections to existing main RDP connections, the server maintains a store of outstanding multitransport requests. The store contains

the request ID and cookie that the server sent to the client as part of the Initiate Multitransport Request ([\[MS-RDPBCGR\] section 2.2.15.1](#)) and a reference to the main RDP connection that initiated the multitransport request. When an incoming multitransport request is encountered, the server matches the **RequestID** field and **SecurityCookie** field presented by the multitransport connection as part of the Tunnel Create Request PDU (section [2.2.2.1](#)) to an outstanding request ID and cookie in the store. If a match is found, the server hands off the incoming multitransport connection to the main RDP connection that requested it, enabling multiple connections between server and client for the same RDP session.

### 3.2.2 Timers

None.

### 3.2.3 Initialization

None.

### 3.2.4 Higher-Layer Triggered Events

None.

### 3.2.5 Message Processing Events and Sequencing Rules

#### 3.2.5.1 Processing the RDP\_TUNNEL\_CREATEREQUEST PDU

The RDP\_TUNNEL\_CREATEREQUEST PDU (section [2.2.2.1](#)) is used by the server for two purposes. The first purpose is to correlate incoming requests to the existing main RDP connection on the server that originally sent the Initiate Multitransport Request PDU ([\[MS-RDPBCGR\] section 2.2.15.1](#)). The second is a security check that matches the incoming security cookie to the security cookie that was sent over the secured main RDP connection.

The **RequestID** and **SecurityCookie** fields of the RDP\_TUNNEL\_CREATEREQUEST PDU MUST be identical to the corresponding fields in the Initiate MultiTransport Request PDU that was sent from the server to the client over the main RDP connection. These fields are compared to the data stored in the **Connection Store** abstract data model element (section [3.2.1](#)).

If a match for the **RequestID** and **SecurityCookie** pair is found on the server for a pending multitransport request, the server associates the incoming multitransport connection with the existing session and MUST send the client an RDP\_TUNNEL\_CREATERESPONSE PDU (section [2.2.2.2](#)) with a successful HRESULT code.

If a match is not found, the server can either close the connection to the client or send an RDP\_TUNNEL\_CREATERESPONSE PDU with an unsuccessful HRESULT code. [<3>](#)

### 3.2.6 Timer Events

None.

### 3.2.7 Other Local Events

None.



## **3.3 Client Details**

### **3.3.1 Abstract Data Model**

None.

### **3.3.2 Timers**

None.

### **3.3.3 Initialization**

None.

### **3.3.4 Higher-Layer Triggered Events**

None.

### **3.3.5 Message Processing Events and Sequencing Rules**

#### **3.3.5.1 Processing the RDP\_TUNNEL\_CREATERESPONSE PDU**

The RDP\_TUNNEL\_CREATERESPONSE PDU (section [2.2.2.2](#)) is sent from the RDP server to the RDP client in response to the RDP\_TUNNEL\_CREATEREQUEST PDU (section [2.2.2.1](#)). The PDU contains an HRESULT code that indicates whether the server successfully accepted the multitransport connection.

The client MUST disconnect the connection if the RDP\_TUNNEL\_CREATERESPONSE PDU contains an unsuccessful HRESULT code. If the RDP\_TUNNEL\_CREATERESPONSE PDU contains a successful HRESULT code, the server has accepted the connection and successfully associated it with an existing RDP session. The client can then start sending data to the server and MUST be ready to receive and process data from the server.

### **3.3.6 Timer Events**

None.

### **3.3.7 Other Local Events**

None.

## 4 Protocol Examples

### 4.1 Tunnel Create Request PDU

The following is an annotated dump of the Tunnel Create Request PDU (section [2.2.2.1](#)).

```
04 07 00 00 00 00 00 00 00 e2 f0 d1 08 .....
00000010 56 7f b4 3a dc f4 b3 dc 16 92 1e 3a          V.....:

00 -> RDP_TUNNEL_HEADER::Action and RDP_TUNNEL_HEADER::Flags
RDP_TUNNEL_HEADER::Action = 0x0 (RDPTUNNEL_ACTION_CREATEREQUEST)
RDP_TUNNEL_HEADER::Flags = 0x0

18 00 -> RDP_TUNNEL_HEADER::PayloadLength = 0x18 = 24 bytes
04 -> RDP_TUNNEL_HEADER::HeaderLength = 0x04 = 4 bytes

07 00 00 00 -> RDP_TUNNEL_CREATEREQUEST::RequestID = 0x00000007
00 00 00 00 -> RDP_TUNNEL_CREATEREQUEST::Reserved
e2 f0 d1 08 56 7f b4 3a dc f4 b3 dc 16 92 1e 3a -> RDP_TUNNEL_CREATEREQUEST::SecurityCookie
```

### 4.2 Tunnel Create Response PDU

The following is an annotated dump of the Tunnel Create Response PDU (section [2.2.2.2](#)).

```
00000000 01 04 00 04 00 00 00 00          .....

01 -> RDP_TUNNEL_HEADER::Action and RDP_TUNNEL_HEADER::Flags
RDP_TUNNEL_HEADER::Action = 0x1 (RDPTUNNEL_ACTION_CREATERESPONSE)
RDP_TUNNEL_HEADER::Flags = 0x0

04 00 -> RDP_TUNNEL_HEADER::PayloadLength = 0x04 = 4 bytes
04 -> RDP_TUNNEL_HEADER::HeaderLength = 0x04 = 4 bytes

00 00 00 00 -> RDP_TUNNEL_CREATERESPONSE::HrResponse = 0x00000000
```

## 5 Security

### 5.1 Security Considerations for Implementers

The RDP multitransport connections use SSL and DTLS, respectively, for reliable and unreliable UDP transport connections for data encryption and server certificate validation.

The client is authenticated to the server by presenting a security cookie as part of the Tunnel Create Request PDU (section [2.2.2](#)), which the server provided to the client over the secure main RDP connection, as defined in [\[MS-RDPBCGR\]](#).

### 5.2 Index of Security Parameters

None.

## 6 Appendix A: Product Behavior

The information in this specification is applicable to the following Microsoft products or supplemental software. References to product versions include released service packs:

- Windows 8 operating system
- Windows Server 2012 operating system
- Windows 8.1 operating system
- Windows Server 2012 R2 operating system

Exceptions, if any, are noted below. If a service pack or Quick Fix Engineering (QFE) number appears with the product version, behavior changed in that service pack or QFE. The new behavior also applies to subsequent service packs of the product unless otherwise specified. If a product edition appears with the product version, behavior is different in that product edition.

Unless otherwise specified, any statement of optional behavior in this specification that is prescribed using the terms SHOULD or SHOULD NOT implies product behavior in accordance with the SHOULD or SHOULD NOT prescription. Unless otherwise specified, the term MAY implies that the product does not follow the prescription.

[<1> Section 1.5:](#) Microsoft RDP clients fail the TLS or DTLS handshake for a multitransport connection if Enhanced RDP Security ([\[MS-RDPBCGR\]](#) section 5.4) is not in effect for the main RDP connection.

[<2> Section 2.2.2.2:](#) Windows always sends an **HrResponse** code of S\_OK (0x0) if the connection is accepted, or drops the connection if the request is not accepted.

[<3> Section 3.2.5.1:](#) Windows closes the connection to the client if a successful match is not found.

## 7 Change Tracking

No table of changes is available. The document is either new or has had no changes since its last release.

## 8 Index

### A

Abstract data model  
client ([section 3.1.1](#) 14, [section 3.3.1](#) 17)  
server ([section 3.1.1](#) 14, [section 3.2.1](#) 15)  
[Applicability](#) 9

### C

[Capability negotiation](#) 9  
[Change tracking](#) 21  
Client  
abstract data model ([section 3.1.1](#) 14, [section 3.3.1](#) 17)  
higher-layer triggered events ([section 3.1.4](#) 14, [section 3.3.4](#) 17)  
initialization ([section 3.1.3](#) 14, [section 3.3.3](#) 17)  
[message processing](#) 14  
other local events ([section 3.1.7](#) 15, [section 3.3.7](#) 17)  
[sequencing rules](#) 14  
timer events ([section 3.1.6](#) 15, [section 3.3.6](#) 17)  
timers ([section 3.1.2](#) 14, [section 3.3.2](#) 17)

### D

Data model - abstract  
client ([section 3.1.1](#) 14, [section 3.3.1](#) 17)  
server ([section 3.1.1](#) 14, [section 3.2.1](#) 15)

### E

Examples  
[Tunnel Create Request PDU](#) 18  
[Tunnel Create Response PDU](#) 18

### F

[Fields - vendor-extensible](#) 9

### G

[Glossary](#) 5

### H

Higher-layer triggered events  
client ([section 3.1.4](#) 14, [section 3.3.4](#) 17)  
server ([section 3.1.4](#) 14, [section 3.2.4](#) 16)

### I

[Implementer - security considerations](#) 19  
[Index of security parameters](#) 19  
[Informative references](#) 6  
Initialization  
client ([section 3.1.3](#) 14, [section 3.3.3](#) 17)  
server ([section 3.1.3](#) 14, [section 3.2.3](#) 16)  
[Introduction](#) 5

### M

Message processing  
[client](#) 14  
[server](#) 14  
Messages  
[transport](#) 10

### N

[Normative references](#) 5

### O

Other local events  
client ([section 3.1.7](#) 15, [section 3.3.7](#) 17)  
server ([section 3.1.7](#) 15, [section 3.2.7](#) 16)  
[Overview \(synopsis\)](#) 6

### P

[Parameters - security index](#) 19  
[Preconditions](#) 9  
[Prerequisites](#) 9  
[Product behavior](#) 20

### R

References  
[informative](#) 6  
[normative](#) 5  
[Relationship to other protocols](#) 9

### S

Security  
[implementer considerations](#) 19  
[parameter index](#) 19  
Sequencing rules  
[client](#) 14  
[server](#) 14  
Server  
abstract data model ([section 3.1.1](#) 14, [section 3.2.1](#) 15)  
higher-layer triggered events ([section 3.1.4](#) 14, [section 3.2.4](#) 16)  
initialization ([section 3.1.3](#) 14, [section 3.2.3](#) 16)  
[message processing](#) 14  
other local events ([section 3.1.7](#) 15, [section 3.2.7](#) 16)  
[sequencing rules](#) 14  
timer events ([section 3.1.6](#) 15, [section 3.2.6](#) 16)  
timers ([section 3.1.2](#) 14, [section 3.2.2](#) 16)  
[Standards assignments](#) 9

### T

Timer events

client ([section 3.1.6](#) 15, [section 3.3.6](#) 17)  
server ([section 3.1.6](#) 15, [section 3.2.6](#) 16)  
Timers  
client ([section 3.1.2](#) 14, [section 3.3.2](#) 17)  
server ([section 3.1.2](#) 14, [section 3.2.2](#) 16)  
[Tracking changes](#) 21  
[Transport](#) 10  
Triggered events - higher-layer  
client ([section 3.1.4](#) 14, [section 3.3.4](#) 17)  
server ([section 3.1.4](#) 14, [section 3.2.4](#) 16)  
[Tunnel Create Request PDU example](#) 18  
[Tunnel Create Response PDU example](#) 18

## **V**

[Vendor-extensible fields](#) 9  
[Versioning](#) 9