

## [MS-RDPEDYC-Diff]:

# Remote Desktop Protocol: Dynamic Channel Virtual Channel Extension

---

Intellectual Property Rights Notice for Open Specifications Documentation

- **Technical Documentation.** Microsoft publishes Open Specifications documentation (“this documentation”) for protocols, file formats, data portability, computer languages, and standards support. Additionally, overview documents cover inter-protocol relationships and interactions.
- **Copyrights.** This documentation is covered by Microsoft copyrights. Regardless of any other terms that are contained in the terms of use for the Microsoft website that hosts this documentation, you can make copies of it in order to develop implementations of the technologies that are described in this documentation and can distribute portions of it in your implementations that use these technologies or in your documentation as necessary to properly document the implementation. You can also distribute in your implementation, with or without modification, any schemas, IDLs, or code samples that are included in the documentation. This permission also applies to any documents that are referenced in the Open Specifications documentation.
- **No Trade Secrets.** Microsoft does not claim any trade secret rights in this documentation.
- **Patents.** Microsoft has patents that might cover your implementations of the technologies described in the Open Specifications documentation. Neither this notice nor Microsoft's delivery of this documentation grants any licenses under those patents or any other Microsoft patents. However, a given Open Specifications document might be covered by the Microsoft [Open Specifications Promise](#) or the [Microsoft Community Promise](#). If you would prefer a written license, or if the technologies described in this documentation are not covered by the Open Specifications Promise or Community Promise, as applicable, patent licenses are available by contacting [iplg@microsoft.com](mailto:iplg@microsoft.com).
- **License Programs.** To see all of the protocols in scope under a specific license program and the associated patents, visit the [Patent Map](#).
- **Trademarks.** The names of companies and products contained in this documentation might be covered by trademarks or similar intellectual property rights. This notice does not grant any licenses under those rights. For a list of Microsoft trademarks, visit [www.microsoft.com/trademarks](http://www.microsoft.com/trademarks).
- **Fictitious Names.** The example companies, organizations, products, domain names, email addresses, logos, people, places, and events that are depicted in this documentation are fictitious. No association with any real company, organization, product, domain name, email address, logo, person, place, or event is intended or should be inferred.

**Reservation of Rights.** All other rights are reserved, and this notice does not grant any rights other than as specifically described above, whether by implication, estoppel, or otherwise.

**Tools.** The Open Specifications documentation does not require the use of Microsoft programming tools or programming environments in order for you to develop an implementation. If you have access to Microsoft programming tools and environments, you are free to take advantage of them. Certain Open Specifications documents are intended for use in conjunction with publicly available standards specifications and network programming art and, as such, assume that the reader either is familiar with the aforementioned material or has immediate access to it.

**Support.** For questions and support, please contact [dochelp@microsoft.com](mailto:dochelp@microsoft.com).

## Revision Summary

Date	Revision History	Revision Class	Comments
2/22/2007	0.01	New	Version 0.01 release
6/1/2007	1.0	Major	Updated and revised the technical content.
7/3/2007	1.0.1	Minor	Editorial fixes only.
7/20/2007	1.0.2	Editorial	Changed language and formatting in the technical content.
8/10/2007	1.0.3	Editorial	Changed language and formatting in the technical content.
9/28/2007	1.0.4	Editorial	Changed language and formatting in the technical content.
10/23/2007	1.0.5	Minor	Revised a figure; revised size of cmd field in several packets.
11/30/2007	1.1	Minor	Clarified the meaning of the technical content.
1/25/2008	1.1.1	Editorial	Changed language and formatting in the technical content.
3/14/2008	1.1.2	Editorial	Changed language and formatting in the technical content.
5/16/2008	1.1.3	Editorial	Changed language and formatting in the technical content.
6/20/2008	1.2	Minor	Clarified the meaning of the technical content.
7/25/2008	1.2.1	Editorial	Changed language and formatting in the technical content.
8/29/2008	1.2.2	Editorial	Changed language and formatting in the technical content.
10/24/2008	1.2.3	Editorial	Changed language and formatting in the technical content.
12/5/2008	2.0	Major	Updated and revised the technical content.
1/16/2009	2.1	Minor	Clarified the meaning of the technical content.
2/27/2009	2.1.1	Editorial	Changed language and formatting in the technical content.
4/10/2009	2.1.2	Editorial	Changed language and formatting in the technical content.
5/22/2009	3.0	Major	Updated and revised the technical content.
7/2/2009	3.0.1	Editorial	Changed language and formatting in the technical content.
8/14/2009	3.0.2	Editorial	Changed language and formatting in the technical content.
9/25/2009	3.0.3	Editorial	Changed language and formatting in the technical content.
11/6/2009	3.0.4	Editorial	Changed language and formatting in the technical content.
12/18/2009	4.0	Major	Updated and revised the technical content.
1/29/2010	5.0	Major	Updated and revised the technical content.
3/12/2010	6.0	Major	Updated and revised the technical content.
4/23/2010	6.0.1	Editorial	Changed language and formatting in the technical content.
6/4/2010	7.0	Major	Updated and revised the technical content.
7/16/2010	7.0	None	No changes to the meaning, language, or formatting of the

<b>Date</b>	<b>Revision History</b>	<b>Revision Class</b>	<b>Comments</b>
			technical content.
8/27/2010	7.0	None	No changes to the meaning, language, or formatting of the technical content.
10/8/2010	7.0	None	No changes to the meaning, language, or formatting of the technical content.
11/19/2010	7.0	None	No changes to the meaning, language, or formatting of the technical content.
1/7/2011	7.0	None	No changes to the meaning, language, or formatting of the technical content.
2/11/2011	8.0	Major	Updated and revised the technical content.
3/25/2011	9.0	Major	Updated and revised the technical content.
5/6/2011	9.0	None	No changes to the meaning, language, or formatting of the technical content.
6/17/2011	9.1	Minor	Clarified the meaning of the technical content.
9/23/2011	9.1	None	No changes to the meaning, language, or formatting of the technical content.
12/16/2011	10.0	Major	Updated and revised the technical content.
3/30/2012	10.0	None	No changes to the meaning, language, or formatting of the technical content.
7/12/2012	11.0	Major	Updated and revised the technical content.
10/25/2012	11.0	None	No changes to the meaning, language, or formatting of the technical content.
1/31/2013	11.0	None	No changes to the meaning, language, or formatting of the technical content.
8/8/2013	12.0	Major	Updated and revised the technical content.
11/14/2013	12.0	None	No changes to the meaning, language, or formatting of the technical content.
2/13/2014	13.0	Major	Updated and revised the technical content.
5/15/2014	13.0	None	No changes to the meaning, language, or formatting of the technical content.
6/30/2015	14.0	Major	Significantly changed the technical content.
10/16/2015	14.1	Minor	Clarified the meaning of the technical content.
3/2/2016	15.0	Major	Significantly changed the technical content.
7/14/2016	15.0	None	No changes to the meaning, language, or formatting of the technical content.
<u>6/1/2017</u>	<u>16.0</u>	<u>Major</u>	<u>Significantly changed the technical content.</u>

# Table of Contents

<b>1</b>	<b>Introduction</b>	<b>7</b>
1.1	Glossary	7
1.2	References	8
1.2.1	Normative References	8
1.2.2	Informative References	8
1.3	Overview	8
1.3.1	Encapsulation of DVC Traffic	9
1.3.1.1	Encapsulation in the DRDYNVC Static Virtual Channel	9
1.3.1.2	Encapsulation in a Multitransport Tunnel Message	9
1.3.2	DVC Setup	9
1.3.3	Message Flows	10
1.3.3.1	Opening a DVC	10
1.3.3.2	Sending and Receiving Data	11
1.3.3.2.1	Sending Data	12
1.3.3.2.2	Receiving Data	12
1.3.3.3	Closing a DVC	13
1.4	Relationship to Other Protocols	13
1.5	Prerequisites/Preconditions	13
1.6	Applicability Statement	13
1.7	Versioning and Capability Negotiation	13
1.8	Vendor-Extensible Fields	14
1.9	Standards Assignments	14
<b>2</b>	<b>Messages</b>	<b>15</b>
2.1	Transport	15
2.2	Message Syntax	15
2.2.1	Initializing DVCs	16
2.2.1.1	DVC Capabilities Request PDU	17
2.2.1.1.1	Version 1 (DYNVC_CAPS_VERSION1)	17
2.2.1.1.2	Version 2 (DYNVC_CAPS_VERSION2)	17
2.2.1.1.3	Version 3 (DYNVC_CAPS_VERSION3)	19
2.2.1.2	DVC Capabilities Response PDU (DYNVC_CAPS_RSP)	19
2.2.2	Opening a DVC	20
2.2.2.1	DVC Create Request PDU (DYNVC_CREATE_REQ)	20
2.2.2.2	DVC Create Response PDU (DYNVC_CREATE_RSP)	21
2.2.3	Sending and Receiving Data	21
2.2.3.1	DVC Data First PDU (DYNVC_DATA_FIRST)	22
2.2.3.2	DVC Data PDU (DYNVC_DATA)	23
2.2.3.3	DVC Data First Compressed PDU (DYNVC_DATA_FIRST_COMPRESSED)	24
2.2.3.4	DVC Data Compressed PDU (DYNVC_DATA_COMPRESSED)	25
2.2.4	Closing a DVC (DYNVC_CLOSE)	26
2.2.5	Soft-Sync	26
2.2.5.1	Soft-Sync Request PDU (DYNVC_SOFT_SYNC_REQUEST)	26
2.2.5.1.1	Soft-Sync Channel List (DYNVC_SOFT_SYNC_CHANNEL_LIST)	27
2.2.5.2	Soft-Sync Response PDU (DYNVC_SOFT_SYNC_RESPONSE)	28
<b>3</b>	<b>Protocol Details</b>	<b>29</b>
3.1	Common Details	29
3.1.1	Abstract Data Model	30
3.1.2	Timers	31
3.1.3	Initialization	31
3.1.4	Higher-Layer Triggered Events	31
3.1.5	Message Processing Events and Sequencing Rules	31
3.1.5.1	Sending Data	32
3.1.5.1.1	DVC Data First (DYNVC_DATA_FIRST)	32

3.1.5.1.2	DVC Data (DYNVC_DATA).....	32
3.1.5.1.3	DVC Data First Compressed (DYNVC_DATA_FIRST_COMPRESSED) .....	32
3.1.5.1.4	DVC Data Compressed (DYNVC_DATA_COMPRESSED) .....	32
3.1.5.2	Receiving Data .....	32
3.1.5.2.1	DVC Data First (DYNVC_DATA_FIRST) .....	32
3.1.5.2.2	DVC Data (DYNVC_DATA).....	33
3.1.5.2.3	Reassembly of Fragmented Virtual Channel Data .....	33
3.1.5.2.4	Processing Packet Errors .....	33
3.1.5.2.5	DVC Data First Compressed (DYNVC_DATA_FIRST_COMPRESSED) .....	33
3.1.5.2.6	DVC Data Compressed (DYNVC_DATA_COMPRESSED) .....	34
3.1.5.3	Soft-Sync.....	34
3.1.5.4	Tunneling Static VC Traffic .....	35
3.1.5.4.1	Initialization.....	35
3.1.5.4.2	Creating Tunneling DVCs .....	35
3.1.5.4.3	Relation to Soft-Sync .....	35
3.1.5.4.4	Recovering Static Virtual Channel Flags .....	36
3.1.5.4.5	Termination .....	36
3.1.6	Timer Events.....	36
3.1.7	Other Local Events.....	36
3.2	Client Details .....	36
3.2.1	Abstract Data Model.....	36
3.2.2	Timers .....	36
3.2.3	Initialization.....	37
3.2.3.1	DVC Client Manager Initialization .....	37
3.2.3.1.1	Version Level 1 (DYNVC_CAPS_VERSION1) .....	37
3.2.3.1.2	Version Level 2 (DYNVC_CAPS_VERSION2) .....	37
3.2.3.1.3	Version Level 3 (DYNVC_CAPS_VERSION3) .....	37
3.2.3.1.4	Capabilities Response (DYNVC_CAPS_RSP).....	37
3.2.3.2	DVC Initialization .....	38
3.2.3.2.1	DVC Create Response (DYNVC_CREATE_RSP) .....	38
3.2.4	Higher-Layer Triggered Events .....	38
3.2.5	Message Processing Events and Sequencing Rules .....	38
3.2.5.1	Sending and Receiving Data .....	38
3.2.5.2	Closing a DVC (DYNVC_CLOSE) .....	38
3.2.5.3	Soft-Sync.....	39
3.2.5.3.1	Processing the Soft-Sync Request PDU.....	39
3.2.5.3.2	Sending the Soft-Sync Response PDU .....	39
3.2.6	Timer Events.....	39
3.2.7	Other Local Events.....	39
3.3	Server Details.....	39
3.3.1	Abstract Data Model.....	39
3.3.2	Timers .....	40
3.3.3	Initialization.....	40
3.3.3.1	DVC Server Manager Initialization .....	40
3.3.3.1.1	Version Level 1 (DYNVC_CAPS_VERSION1) .....	40
3.3.3.1.2	Version Level 2 (DYNVC_CAPS_VERSION2) .....	40
3.3.3.1.3	Version Level 3 (DYNVC_CAPS_VERSION3) .....	41
3.3.3.1.4	Capabilities Response (DYNVC_CAPS_RSP).....	41
3.3.3.2	DVC Initialization .....	41
3.3.4	Higher-Layer Triggered Events .....	41
3.3.5	Message Processing Events and Sequencing Rules .....	42
3.3.5.1	Sending and Receiving Data .....	42
3.3.5.2	Closing a DVC (DYNVC_CLOSE) .....	42
3.3.5.3	Soft-Sync.....	42
3.3.5.3.1	Sending the Soft-Sync Request PDU .....	42
3.3.5.3.2	Processing the Soft-Sync Response PDU.....	42
3.3.6	Timer Events.....	43
3.3.7	Other Local Events.....	43

<b>4</b>	<b>Protocol Examples</b>	<b>44</b>
4.1	Annotated Initializing DVCs	44
4.1.1	DVC Capabilities Request (Version2) PDU	44
4.1.2	DVC Capabilities Response PDU	44
4.2	Annotated Opening a DVC	45
4.2.1	DVC Create Request PDU	45
4.2.2	DVC Create Response PDU	45
4.3	Annotated Sending and Receiving Data	45
4.3.1	DVC Data First PDU	45
4.3.2	DVC Data PDU	47
4.4	Annotated Closing a DVC	49
4.4.1	DVC Close PDU	49
<b>5</b>	<b>Security</b>	<b>50</b>
5.1	Security Considerations for Implementers	50
5.2	Index of Security Parameters	50
<b>6</b>	<b>Appendix A: Product Behavior</b>	<b>51</b>
<b>7</b>	<b>Change Tracking</b>	<b>53</b>
<b>8</b>	<b>Index</b>	<b>54</b>

# 1 Introduction

The Remote Desktop Protocol: Dynamic Virtual Channel Extension is an extension and refinement of the virtual channel protocol, as specified in [MS-RDPBCGR]. It supports features such as classes of priority (that can be used to implement bandwidth allocation) and individually connected endpoints using dynamic virtual channel (DVC) listeners.

Sections 1.5, 1.8, 1.9, 2, and 3 of this specification are normative. All other sections and examples in this specification are informative.

## 1.1 Glossary

This document uses the following terms:

**American National Standards Institute (ANSI) character set:** A character set defined by a code page approved by the American National Standards Institute (ANSI). The term "ANSI" as used to signify Windows code pages is a historical reference and a misnomer that persists in the Windows community. The source of this misnomer stems from the fact that the Windows code page 1252 was originally based on an ANSI draft, which became International Organization for Standardization (ISO) Standard 8859-1 [ISO/IEC-8859-1]. In Windows, the ANSI character set can be any of the following code pages: 1252, 1250, 1251, 1253, 1254, 1255, 1256, 1257, 1258, 874, 932, 936, 949, or 950. For example, "ANSI application" is usually a reference to a non-Unicode or code-page-based application. Therefore, "ANSI character set" is often misused to refer to one of the character sets defined by a Windows code page that can be used as an active system code page; for example, character sets defined by code page 1252 or character sets defined by code page 950. Windows is now based on Unicode, so the use of ANSI character sets is strongly discouraged unless they are used to interoperate with legacy applications or legacy data.

**ANSI character:** An 8-bit Windows-1252 character set unit.

**data message (or message):** Data exchanged between an application running on a terminal services server and a dynamic virtual channel (DVC) listeners running on a TS client. The maximum length of a data message is  $2^{32} - 1$  bytes.

**dynamic virtual channel:** A transport used for lossless communication between an RDP client and a server component over a main data connection, as specified in [MS-RDPEDYC].

**Dynamic Virtual Channel (DVC) Listener (or Listener):** A named endpoint registered at the TS client during initialization of a DVC. DVC listeners are service providers to the applications that run on a TS server.

**dynamic virtual channel (DVC) manager:** An application that runs on the TS servers and clients. They manage the initialization, creation, and closing of DVCs. They are responsible for maintaining established channels and for transferring messages between the applications on the TS servers and the DVC listeners that run on the TS clients.

**listener:** A session running on a terminal server that listens for incoming connection requests.

**priority class:** The priority of a group of channels. Channels of a higher priority class will typically be allotted a larger proportion of available bandwidth than those of a lower class.

**static virtual channel:** A static transport used for lossless communication between a client component and a server component over a main data connection, as specified in [MS-RDPBCGR].

**terminal services (TS):** A service on a server computer that allows delivery of applications, or the desktop itself, to various computing devices. When a user runs an application on a terminal server, the application execution takes place on the server computer and only keyboard, mouse,

and display information is transmitted over the network. Each user sees only his or her individual session, which is managed transparently by the server operating system and is independent of any other client session.

**virtual channel:** A communication channel available in a TS server session between applications running at the server and applications running on the TS client.

**MAY, SHOULD, MUST, SHOULD NOT, MUST NOT:** These terms (in all caps) are used as defined in [RFC2119]. All statements of optional behavior use either MAY, SHOULD, or SHOULD NOT.

## 1.2 References

Links to a document in the Microsoft Open Specifications library point to the correct section in the most recently published version of the referenced document. However, because individual documents in the library are not updated at the same time, the section numbers in the documents may not match. You can confirm the correct section numbering by checking the Errata.

### 1.2.1 Normative References

We conduct frequent surveys of the normative references to assure their continued availability. If you have any issue with finding a normative reference, please contact dochelp@microsoft.com. We will assist you in finding the relevant information.

[MS-DTYP] Microsoft Corporation, "Windows Data Types".

[MS-ERREF] Microsoft Corporation, "Windows Error Codes".

[MS-RDPBCGR] Microsoft Corporation, "Remote Desktop Protocol: Basic Connectivity and Graphics Remoting".

[MS-RDPEGFX] Microsoft Corporation, "Remote Desktop Protocol: Graphics Pipeline Extension".

[MS-RDPENT] Microsoft Corporation, "Remote Desktop Protocol: Multitransport Extension".

[RFC2119] Bradner, S., "Key words for use in RFCs to Indicate Requirement Levels", BCP 14, RFC 2119, March 1997, <http://www.rfc-editor.org/rfc/rfc2119.txt>

### 1.2.2 Informative References

None.

## 1.3 Overview

The Remote Desktop Protocol: Dynamic Channel Virtual Channel Extension implements a generic connection-oriented communication channel on top of the virtual channel protocol. A dynamic virtual channel (DVC) is established over an existing static virtual channel. A static virtual channel session, as defined in [MS-RDPBCGR] section 1.3.3, is a typical client/server relationship. The Remote Desktop Protocol (RDP) layer manages the creation, setup, and data transmission over the virtual channel.

A DVC consists of two endpoints logically connected over a network. One endpoint is an application running on a terminal services (TS) server, and the other endpoint is an application running on a TS client.

DVCs are created and maintained by DVC managers. There is a DVC manager running on both the TS server and the TS client. The DVC server manager is responsible for initializing the DVC environment and for creating individual DVCs. The DVC client manager is responsible for creating and maintaining connections to client-side DVC manager applications.



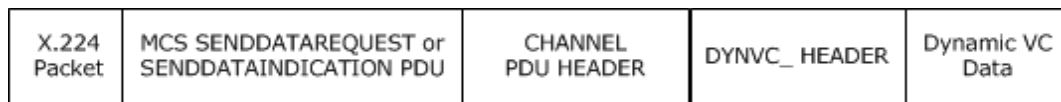
After the DVC managers are initialized, the DVC server manager can create individual DVCs. These channels are used to exchange messages between applications running on the TS server and DVC listeners running on the TS client. Sending and receiving messages is symmetrical between the client and server, and either side can initiate sending a data message (or message).

### 1.3.1 Encapsulation of DVC Traffic

If a multitransport connection ([MS-RDPEMT] section 1.3) is associated with a given RDP connection, the DVC PDUs, specified in section 2.2, can be embedded inside either the dedicated DRDYNVC static virtual channel, or inside a Tunnel Data PDU ([MS-RDPEMT] section 2.2.2.3). If a multitransport connection is not present, then the DVC PDUs are encapsulated inside the dedicated DRDYNVC static virtual channel.

#### 1.3.1.1 Encapsulation in the DRDYNVC Static Virtual Channel

The following diagram illustrates the wire-level encapsulation when a DVC is embedded inside the dedicated static virtual channel named DRDYNVC.



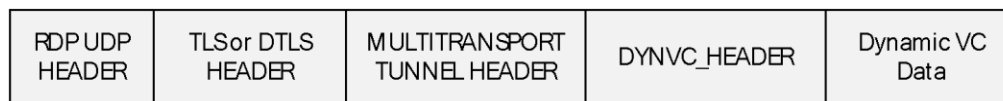
**Figure 1: Static virtual channel objects**

This is a Windows implementation detail and does not limit the definition and the description of the Remote Desktop Protocol: Dynamic Channel Virtual Channel Extension. Any transport that has similar characteristics can be used to support a DVC implementation. The Remote Desktop Protocol: Dynamic Channel Virtual Channel Extension makes use of the following features of a static virtual channel:

- Capability to indicate the reception of a complete message to the DVC handler.
- Capability to support a minimum message size that is sufficient for the complete reception of the PDUs used for version negotiation and channel open/close functionality.

#### 1.3.1.2 Encapsulation in a Multitransport Tunnel Message

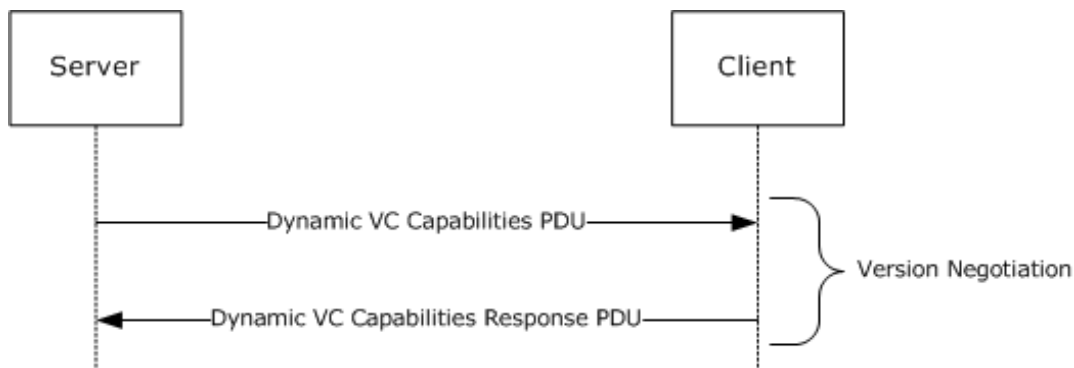
The following diagram illustrates the wire-level encapsulation when a DVC is embedded inside a multitransport connection tunnel ([MS-RDPEMT] sections 1.3 and 1.4).



**Figure 2: Encapsulation inside a multitransport connection tunnel**

### 1.3.2 DVC Setup

The following diagram illustrates the sequence of operations involved in initializing the client and server environments.



**Figure 3: DVC initialization sequence**

The initialization is performed immediately following the establishment of a static virtual channel session, as specified in [MS-RDPBCGR] section 1.3.3.

The initialization is performed once per connection. At startup and initialization, a DVC server manager performs a version negotiation with a DVC client manager over the existing static virtual channel.

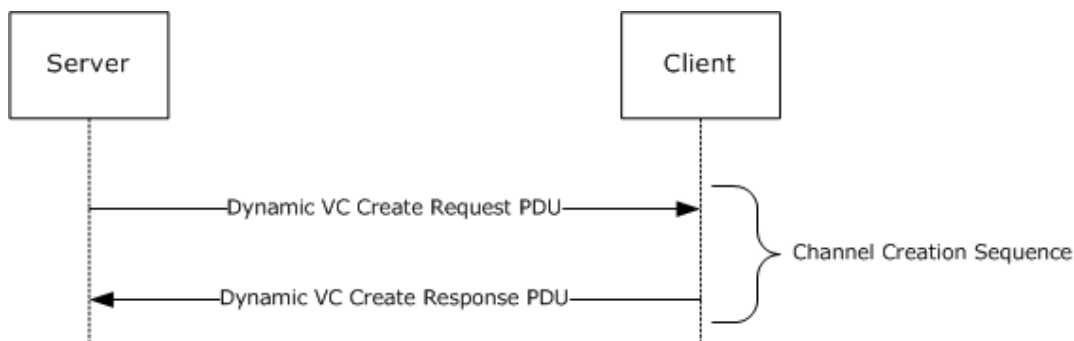
The client and server initialize their environments by exchanging a capability message. The DVC server manager sends a capabilities protocol data unit (PDU) that indicates the maximum supported version level as well as any capability information that is relevant for the supported version. The capability information describes the features supported by the server.

The DVC client manager responds with a capabilities response PDU that states the maximum version level that it supports. The server adjusts the protocol features to match the client capabilities. After this negotiation, the DVC server manager and DVC client manager are ready to establish individual DVCs.

### 1.3.3 Message Flows

#### 1.3.3.1 Opening a DVC

The following diagram illustrates the sequence of operations involved in the creation of a DVC.



**Figure 4: DVC open sequence**

A DVC consists of two endpoints logically connected over a network. One endpoint is an application running on a TS server, and the other endpoint is an application running on a TS client. The applications running on the TS client are referred to as DVC listeners. These listeners are service providers to the applications running on the TS server.

Channels are established by the DVC managers exchanging Create Request and Create Response PDUs. Channels are created by a DVC server manager in response to a channel-create request by an application. When an application makes a request to a DVC server manager to create a channel, the server generates a channel identifier (that is, a unique number for the requested session), and sends this identifier (and the listener name the application is requesting a connection to) in a Create Request PDU to the DVC client manager. The DVC client manager locates the requested listener, and the listener creates a DVC using the **ChannelId**. The DVC client manager binds the endpoint to the **ChannelId**. The client then sends a Create Response message to the server indicating the endpoint creation status. If the creation is successful, the DVC server manager indicates to the application that the session is established and is ready for sending and receiving data. The client and server maintain the endpoints for the life of the channel.

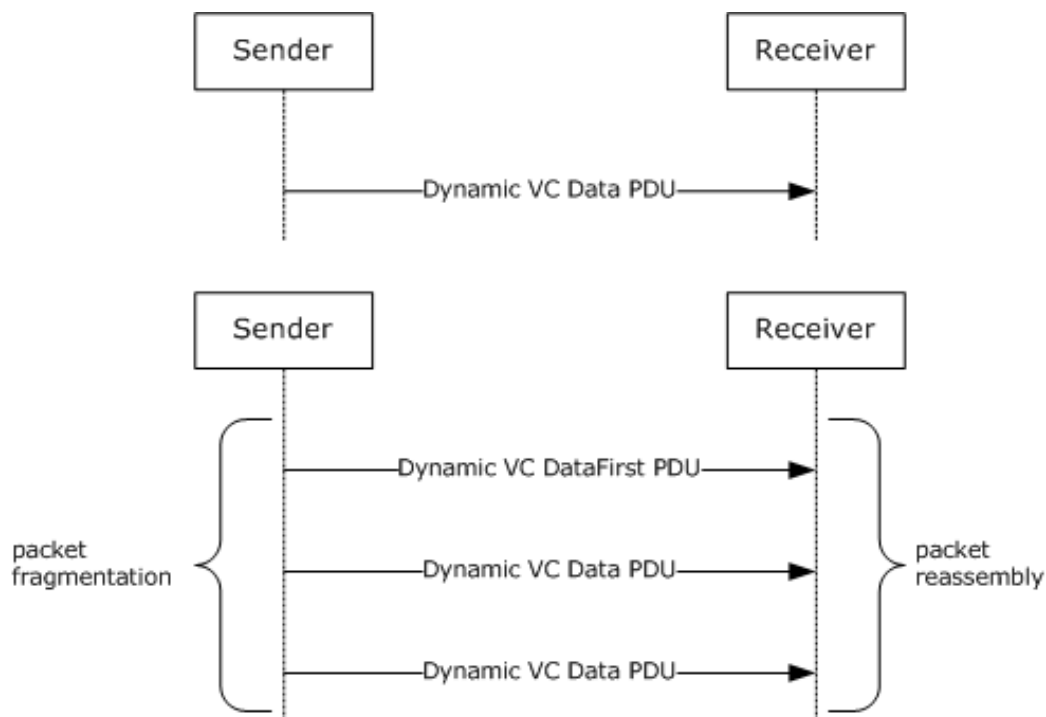
When a multitransport connection ([MS-RDPENT] section 1.3) is negotiated for a given RDP connection, the DVC server manager can establish a particular DVC from one of the connected transports (TCP, UDP-R, or UDP-L) based on preferences specified by the application endpoint. For example, an application can request that the DVC be encapsulated in a TCP transport for a feature that requires full-reliability but can be latency-tolerant, such as printer redirection. An application can also request that the DVC be encapsulated in a UDP-L transport for a feature that is loss-tolerant but latency-sensitive, such as audio output redirection.

The server DVC manager sends the Create Request PDU over the selected transport, and the client responds by sending the Create Response PDU back to the server over the same transport.

### 1.3.3.2 Sending and Receiving Data

The maximum size of a message that a sender can pass to a DVC manager is  $2^{32}-1$  bytes (see section 3.1.5.2.3). The Remote Desktop Protocol: Dynamic Virtual Channel Extension specifies a maximum PDU size of 1,600 bytes. A data PDU consists of a header and message data. The DVC manager is responsible for fragmenting and reassembling large messages. This is provided as a service to the sender and receiver.

The sending and receiving of messages is symmetrical between the client and server, and either side can initiate sending a message. Depending on the size of the message being sent, there are two different message sequences for sending and receiving data, as illustrated in the following diagram.



**Figure 5: Send data sequence via DVC PDUs**

### 1.3.3.2.1 Sending Data

If the sender makes a request to send a message that has a data size of no more than 1590 bytes, then a single PDU is sent that contains the message and a header with the **Cmd** field set to indicate that the PDU type is Data.

If the sender makes a request to send a message that has a data size of more than 1590 bytes, then the DVC manager fragments the message into blocks and can send multiple PDUs. The first PDU contains the first fragment of message data and a header with the **Cmd** field set to indicate that the PDU type is Data First and the **Length** field set to the total length of the message the sender is sending. Subsequent PDUs of type Data are sent until the entire message is transmitted.

The receiver does not acknowledge receipt of the data.

### 1.3.3.2.2 Receiving Data

If a message has been fragmented, the first data PDU received will be of type Data First. If the message has not been fragmented, the first and only PDU for this message will be of type Data.

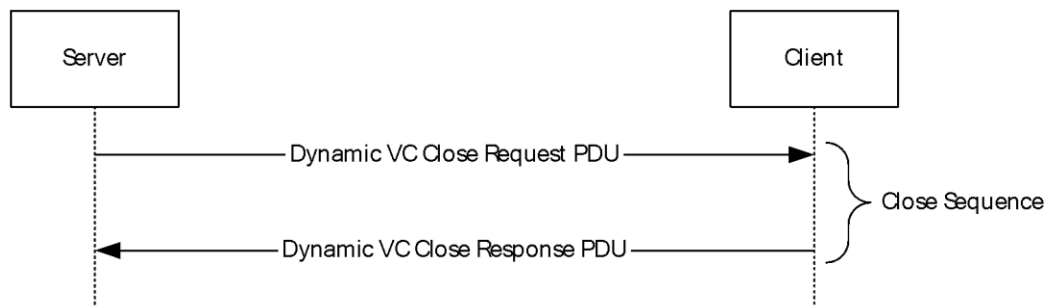
When a DVC manager receives a Data First PDU, it saves the message data and continues receiving Data PDUs until all the data is received. The DVC manager then reassembles the data and passes the data to the receiver associated with this channel.

When a DVC manager receives a Data PDU that has not been preceded by a Data First PDU, it passes the message data directly to the receiver without any additional processing.

The DVC manager does not acknowledge receipt of the data.

### 1.3.3.3 Closing a DVC

Either an application running on the TS server or a listener running on the TS client can request that a channel be closed. The following diagram illustrates the sequence of operations involved in closing a DVC.



**Figure 6: DVC close sequence**

When the DVC server manager initiates closing a channel, it sends a Close Request PDU that specifies the **ChannelId** to the DVC client manager. The client responds with a Close Response PDU that specifies the **ChannelId**.

When a client initiates a channel-close, it sends an unsolicited Close Response PDU that specifies the **ChannelId** to the server. The server does not respond to the Client Close Response PDU.

## 1.4 Relationship to Other Protocols

The Remote Desktop Protocol: Dynamic Virtual Channel Extension is embedded in a static virtual channel transport, as specified in [MS-RDPBCGR].

## 1.5 Prerequisites/Preconditions

The Remote Desktop Protocol: Dynamic Virtual Channel Extension operates only after the static virtual channel transport (as specified in [MS-RDPBCGR]) is fully established. If the static virtual channel transport is terminated, no other communication over the Remote Desktop Protocol: Dynamic Virtual Channel Extension occurs.

## 1.6 Applicability Statement

The Remote Desktop Protocol: Dynamic Virtual Channel Extension is designed to be run within the context of an RDP virtual channel established between a client and a server. The Remote Desktop Protocol: Dynamic Virtual Channel Extension is applicable when creating applications such as Plug and Play device redirection and media infrastructure layer composition engine commands.

## 1.7 Versioning and Capability Negotiation

The version of the Remote Desktop Protocol: Dynamic Channel Virtual Channel Extension is negotiated by a DVC client manager in response to a Capabilities PDU sent by a DVC server manager. The server indicates the maximum capability it supports, and the client responds with a Capabilities Response PDU that indicates the maximum capability that it can support.

There are ~~two~~three versions of the Remote Desktop Protocol: Dynamic Channel Virtual Channel Extension.

- Version 1: The first version of the protocol consists of initialization, closing, and the sending of data over DVCs.
- Version 2: The second version introduced the capability to specify priority classes for virtual channels in order to allocate different bandwidth to different classes of virtual channels.
- Version 3: The third version introduced the ability to send and receive compressed data.

Implementations can support version 1, versions 1 and 2, or versions 1, 2, and 3 of the protocol. The negotiation of the protocol between the server and the client is described in section 2.2.1.

## **1.8 Vendor-Extensible Fields**

This protocol uses NTSTATUS values as defined in [MS-ERREF] section 2.3. Vendors are free to choose their own values for this field, as long as the C bit (0x20000000) is set, indicating it is a customer code.

## **1.9 Standards Assignments**

The Remote Desktop Protocol: Dynamic Virtual Channel Extension does not use any standards assignments.

## 2 Messages

The following sections specify how Remote Desktop Protocol: Dynamic Virtual Channel Extension messages are encapsulated on the wire and common data types.

This protocol references commonly used data types as defined in [MS-DTYP].

### 2.1 Transport

Remote Desktop Protocol: Dynamic Virtual Channel Extension messages are passed between a DVC manager on a server and a DVC manager on a client, and are transmitted over one of the following underlying transport mechanisms:

- A static virtual channel ([MS-RDPBCGR] sections 1.3.3 and 2.2.6), where the name of the channel is the ANSI character string "DRDYNC" and bulk compression is enabled.
- A lossy or reliable UDP multitransport connection ([MS-RDPENT] sections 1.3 and 2.2.2.3).

The Remote Desktop Protocol: Dynamic Virtual Channel Extension does not establish any transport connections.

### 2.2 Message Syntax

The Remote Desktop Protocol: Dynamic Virtual Channel Extension consists of the following five types of messages exchanged between the server and the client.

- Capability Negotiation message
- Channel Open message
- Channel DataFirst message and DataFirst Compressed message
- Channel Data message and Data Compressed message
- Channel Close message

Each PDU has the same 1-byte header with the **optionalFields** field following it. The **cbChId** and **Cmd** fields are common to all PDUs. The data following the PDU header depends on the type of the message and is addressed in the following sections.

0	1	2	3	4	5	6	7	8	9	10	11	12	13	14	15	16	17	18	19	20	21	22	23	24	25	26	27	28	29	30	31
Cmd				Sp		cbChId		optionalFields (variable)																							
...																															

**Cmd (4 bits):** Indicates the PDU type and MUST be set to one of the following values.

Value	Meaning
0x01	The message contained in the <b>optionalFields</b> field is a Create Request PDU (section 2.2.2.1) or a Create Response PDU (section 2.2.2.2).
0x02	The message contained in the <b>optionalFields</b> field is a Data First PDU (section 2.2.3.1).
0x03	The message contained in the <b>optionalFields</b> field is a Data PDU (section 2.2.3.2).

Value	Meaning
0x04	The message contained in the <b>optionalFields</b> field is a Close Request PDU (section 2.2.4) or a Close Response PDU (section 2.2.4).
0x05	The message contained in the <b>optionalFields</b> field is a Capability Request PDU (section 2.2.1.1) or a Capabilities Response PDU (section 2.2.1.2).
0x06	The message contained in the <b>optionalFields</b> field is a Data First Compressed PDU (section 2.2.3.3).
0x07	The message contained in the <b>optionalFields</b> field is a Data Compressed PDU (section 2.2.3.4).
0x08	The message contained in the <b>optionalFields</b> field is a Soft-Sync Request PDU (section 2.2.5.1).
0x09	The message contained in the <b>optionalFields</b> field is a Soft-Sync Response PDU (section 2.2.5.2).

**Sp (2 bits):** The value and meaning depend on the **Cmd** field.

**cbChId (2 bits):** Indicates the length of the **ChannelId** field.

Value	Meaning
0x00	The <b>ChannelId</b> is 1 byte wide.
0x01	The <b>ChannelId</b> is 2 bytes wide.
0x02	The <b>ChannelId</b> is 4 bytes wide.
0x03	The <b>ChannelId</b> is 4 bytes wide.

**optionalFields (variable):** The data following the message header depends on the type of the message and is addressed in the following sections.

### 2.2.1 Initializing DVCs

Capabilities PDUs are exchanged to negotiate the version level of the Remote Desktop Protocol: Dynamic Channel Virtual Channel Extension that is supported. Three different Capabilities PDUs are used to negotiate version-level support.

- DYNVC\_CAPS\_VERSION1 (section 2.2.1.1.1) PDU is sent by a DVC server manager to indicate it supports version 1 of the protocol.
- DYNVC\_CAPS\_VERSION2 (section 2.2.1.1.2) PDU is sent by a DVC server manager to indicate it supports version 2 of the protocol.
- DYNVC\_CAPS\_VERSION3 (section 2.2.1.1.3) PDU is sent by a DVC server manager to indicate it supports version 3 of the protocol.
- DYNVC\_CAPS\_RSP (section 2.2.1.2) PDU is sent by a DVC client manager to acknowledge the version level it supports.

A DVC server manager initializes a DVC environment by sending a DYNVC\_CAPS\_VERSION1 (section 2.2.1.1.1), a DYNVC\_CAPS\_VERSION2 (section 2.2.1.1.2), or a DYNVC\_CAPS\_VERSION3 (section 2.2.1.1.3) PDU to the DVC client manager to indicate the highest version level supported by the server. The client MUST respond with a DYNVC\_CAPS\_RSP (section 2.2.1.2) PDU that indicates the highest version level supported by the client.



The DVC server manager MUST send a Capabilities message prior to creating a DVC and wait for a response from the client. This happens just once; if capability exchange has already been completed, the channel creation continues. The DVC client manager MUST reply with a DYNVC\_CAPS\_RSP (section 2.2.1.2) PDU as soon as it receives the server request.

### 2.2.1.1 DVC Capabilities Request PDU

#### 2.2.1.1.1 Version 1 (DYNVC\_CAPS\_VERSION1)

The DYNVC\_CAPS\_VERSION1 PDU is sent by the DVC server manager to indicate that it supports version 1 of the Remote Desktop Protocol: Dynamic Channel Virtual Channel Extension. <1>

0	1	2	3	4	5	6	7	8	9	10	11	12	13	14	15	16	17	18	19	20	21	22	23	24	25	26	27	28	29	30	31
Cmd				Sp		cbChId		Pad								Version															

**Cmd (4 bits):** MUST be set to 0x05 (Capabilities).

**Sp (2 bits):** Unused. SHOULD be initialized to 0x00. <2>

**cbChId (2 bits):** Unused. MUST be set to 0x00.

**Pad (1 byte):** An 8-bit unsigned integer. Unused. MUST be set to 0x00.

**Version (2 bytes):** A 16-bit unsigned integer. MUST be set to 0x0001.

#### 2.2.1.1.2 Version 2 (DYNVC\_CAPS\_VERSION2)

The DYNVC\_CAPS\_VERSION2 PDU is sent by the DVC server manager to indicate that it supports version 2 of the Remote Desktop Protocol: Dynamic Virtual Channel Extension. <3>

0	1	2	3	4	5	6	7	8	9	10	11	12	13	14	15	16	17	18	19	20	21	22	23	24	25	26	27	28	29	30	31
Cmd				Sp		cbChId		Pad								Version															
PriorityCharge0																PriorityCharge1															
PriorityCharge2																PriorityCharge3															

**Cmd (4 bits):** MUST be set to 0x05 (Capabilities).

**Sp (2 bits):** Unused. SHOULD be set to 0x00. <4>

**cbChId (2 bits):** Unused. MUST be set to 0x00.

**Pad (1 byte):** An 8-bit unsigned integer. Unused. MUST be set to 0x00.

**Version (2 bytes):** A 16-bit unsigned integer. MUST be set to 0x0002.

**PriorityCharge0 (2 bytes):** A 16-bit unsigned integer. Specifies the amount of bandwidth that is allotted for each priority class, in accordance with the following algorithm.

**PriorityCharge1 (2 bytes):** A 16-bit unsigned integer. Specifies the amount of bandwidth that is allotted for each priority class, in accordance with the following algorithm.

**PriorityCharge2 (2 bytes):** A 16-bit unsigned integer. Specifies the amount of bandwidth that is allotted for each priority class, in accordance with the following algorithm.

**PriorityCharge3 (2 bytes):** A 16-bit unsigned integer. Specifies the amount of bandwidth that is allotted for each priority class, in accordance with the following algorithm.

The **PriorityCharge** fields determine how much bandwidth is allocated for each priority class. The percentage is calculated using the following formula.

```
Base = PriorityCharge0 * PriorityCharge1 *
      PriorityCharge2 * PriorityCharge3 /
      (PriorityCharge1 * PriorityCharge2 *
      PriorityCharge3 + PriorityCharge0 *
      PriorityCharge2 * PriorityCharge3 +
      PriorityCharge0 * PriorityCharge1 * PriorityCharge3 +
      PriorityCharge0 * PriorityCharge1 *
      PriorityCharge2)

BandwidthPriority0 = Base / PriorityCharge0
BandwidthPriority1 = Base / PriorityCharge1
BandwidthPriority2 = Base / PriorityCharge2
BandwidthPriority3 = Base / PriorityCharge3
```

Where BandwidthPriorityX is a number between 0 and 1, and the total sum of all BandwidthPriorityX values is equal to 1. If PriorityChargeX is set to 0, the priority formula is not used and the data is sent immediately; remaining bandwidth is shared among channels with non-zero PriorityChargeX values, as described in the formula.

To calculate priority charges from given priorities the formula is as follows.

```
PriorityCharge0 = 65536 / (BandwidthPriority0 * 100)
PriorityCharge1 = 65536 / (BandwidthPriority1 * 100)
PriorityCharge2 = 65536 / (BandwidthPriority2 * 100)
PriorityCharge3 = 65536 / (BandwidthPriority3 * 100)
```

Where BandwidthPriorityX is a number between 0 and 1, and the total sum of all BandwidthPriorityX values is equal to 1.

For example, to have distribution for priority 0 to 3 be 70%, 20%, 7%, and 3%, the priority charges numbers are as follows.

```
PriorityCharge0 = 65536 / (0.70*100) = 936
PriorityCharge1 = 65536 / (0.20*100) = 3276
PriorityCharge2 = 65536 / (0.07*100) = 9362
PriorityCharge3 = 65536 / (0.03*100) = 21845
```

Calculating the priority from priority charges, as follows.

```
Base = 936 * 3276 * 9362 * 21845 /
      (3276 * 9362 * 21845 + 936 * 9362 *
      21845 + 936 * 3276 * 21845 + 936 *
      3276 * 9362) = 655

BandwidthPriority0 = 655/936 = 70%
BandwidthPriority1 = 655/3276 = 20%
BandwidthPriority2 = 655/9362 = 7%
BandwidthPriority3 = 655/21845 = 3%
```

### 2.2.1.1.3 Version 3 (DYNVC\_CAPS\_VERSION3)

The DYNVC\_CAPS\_VERSION3 PDU is sent by the DVC server manager to indicate that it supports version 3 of the Remote Desktop Protocol: Dynamic Virtual Channel Extension. <5>

0	1	2	3	4	5	6	7	8	9	0	1	2	3	4	5	6	7	8	9	0	1	2	3	4	5	6	7	8	9	0	1
Cmd				Sp		cbChId		Pad								Version															
PriorityCharge0																PriorityCharge1															
PriorityCharge2																PriorityCharge3															

**Cmd (4 bits):** MUST be set to 0x05 (Capabilities).

**Sp (2 bits):** Unused. SHOULD be set to 0x00. <6>

**cbChId (2 bits):** Unused. MUST be set to 0x00.

**Pad (1 byte):** An 8-bit unsigned integer. Unused. MUST be set to 0x00.

**Version (2 bytes):** A 16-bit unsigned integer. MUST be set to 0x0003.

**PriorityCharge0 (2 bytes):** A 16-bit unsigned integer. Specifies the amount of bandwidth that is allotted for each priority class, in accordance with the algorithm specified in section 2.2.1.1.2.

**PriorityCharge1 (2 bytes):** A 16-bit unsigned integer. Specifies the amount of bandwidth that is allotted for each priority class, in accordance with the algorithm specified in section 2.2.1.1.2.

**PriorityCharge2 (2 bytes):** A 16-bit unsigned integer. Specifies the amount of bandwidth that is allotted for each priority class, in accordance with the algorithm specified in section 2.2.1.1.2.

**PriorityCharge3 (2 bytes):** A 16-bit unsigned integer. Specifies the amount of bandwidth that is allotted for each priority class, in accordance with the algorithm specified in section 2.2.1.1.2.

### 2.2.1.2 DVC Capabilities Response PDU (DYNVC\_CAPS\_RSP)

The DYNVC\_CAPS\_RSP (section 2.2.1.2) PDU is sent by the DVC client manager to the DVC server manager acknowledging the version level capabilities supported.

0	1	2	3	4	5	6	7	8	9	0	1	2	3	4	5	6	7	8	9	0	1	2	3	4	5	6	7	8	9	0	1
Cmd				Sp		cbChId		Pad								Version															

**Cmd (4 bits):** MUST be set to 0x05 (Capabilities).

**Sp (2 bits):** Unused. MUST be set to 0x00.

**cbChId (2 bits):** Unused. MUST be set to 0x00.

**Pad (1 byte):** An 8-bit unsigned integer. Unused. MUST be set to 0x00.

**Version (2 bytes):** A 16-bit unsigned integer that indicates the protocol version level supported; MUST be set to the version level supported.

Value	Meaning
0x0001	Version level one is supported.
0x0002	Version level two is supported.
0x0003	Version level three is supported.

## 2.2.2 Opening a DVC

The DVC server manager initiates opening a DVC by exchanging Create PDUs with a DVC client manager. The server sends a DYNVC\_CREATE\_REQ (section 2.2.2.1) PDU to the client, and the client responds with a DYNVC\_CREATE\_RSP (section 2.2.2.2) PDU that indicates the status of the client endpoint creation.

### 2.2.2.1 DVC Create Request PDU (DYNVC\_CREATE\_REQ)

The DYNVC\_CREATE\_REQ (section 2.2.2.1) PDU is sent by the DVC server manager to the DVC client manager to request that a channel be opened.

0	1	2	3	4	5	6	7	8	9	10	11	12	13	14	15	16	17	18	19	20	21	22	23	24	25	26	27	28	29	30	31				
Cmd				Pri		cbChId		ChannelId (variable)																											
...																																			
ChannelName (variable)																																			
...																																			

**Cmd (4 bits):** MUST be set to 0x01 (Create).

**Pri (2 bits):** Version 1 of the Remote Desktop Protocol: Dynamic Virtual Channel Extension (as specified in section 2.2.1.1.1) does not support priority classes. The client SHOULD ignore this field.

In version 2 of the Remote Desktop Protocol: Dynamic Virtual Channel Extension, this field specifies the priority class for the channel that is being created, with the **Pri** field values 0, 1, 2, and 3 corresponding to PriorityCharge0, PriorityCharge1, PriorityCharge2, and PriorityCharge3, as specified in section 2.2.1.1.2. The method of determining priority class is the same for both client to server data and server to client data.

**cbChId (2 bits):** Indicates the length of the **ChannelId** field.

Value	Meaning
0x00	The <b>ChannelId</b> field length is 1 byte.
0x01	The <b>ChannelId</b> field length is 2 bytes.
0x02	The <b>ChannelId</b> field length is 4 bytes.
0x03	Invalid value.

**ChannelId (variable):** A variable-length 8-bit, 16-bit, or 32-bit unsigned integer. This is a server-generated identifier for the channel being created. The DVC server manager MUST ensure that this number is unique within a static virtual channel connection.

**ChannelName (variable):** A null-terminated ANSI encoded character string. The name of the listener on the TS client with which the TS server application is requesting that a channel be opened.

### 2.2.2.2 DVC Create Response PDU (DYNVC\_CREATE\_RSP)

The DYNVC\_CREATE\_RSP (section 2.2.2.2) PDU is sent by the DVC client manager to indicate the status of the client DVC create operation.

0	1	2	3	4	5	6	7	8	9	0	1	2	3	4	5	6	7	8	9	0	1	2	3	4	5	6	7	8	9	0	1
Cmd				Sp		cbChId		ChannelId (variable)																							
...																															
CreationStatus																															

**Cmd (4 bits):** MUST be set to 0x01 (Create).

**Sp (2 bits):** Unused. SHOULD be initialized to 0x00.

**cbChId (2 bits):** Indicates the length of the **ChannelId** field.

Value	Meaning
0x00	The <b>ChannelId</b> field length is 1 byte.
0x01	The <b>ChannelId</b> field length is 2 bytes.
0x02	The <b>ChannelId</b> field length is 4 bytes.
0x03	Invalid value.

**ChannelId (variable):** A variable length 8-bit, 16-bit, or 32-bit unsigned integer. Set to the value of the **ChannelId** in the DYNVC\_CREATE\_REQ (section 2.2.2.1) PDU.

**CreationStatus (4 bytes):** A 32-bit, signed integer that specifies the HRESULT code that indicates success or failure of the client DVC creation. HRESULT codes are specified in [MS-ERREF] section 2.1. A zero or positive value indicates success; a negative value indicates failure.

### 2.2.3 Sending and Receiving Data

The maximum size of a message that a sender can pass to a DVC manager is  $2^{32}-1$  bytes. The Remote Desktop Protocol: Dynamic Virtual Channel Extension specifies a maximum PDU size of 1,600 bytes. A data PDU consists of a header and message data. When a message that has a data size exceeding 1590 bytes is required to be sent by a DVC manager, the message MUST be sent using a DYNVC\_DATA\_FIRST (section 2.2.3.1) structure, followed by an optional sequence of DYNVC\_DATA (section 2.2.3.2) structures.

Version 3 of the Remote Desktop Protocol: Dynamic Virtual Channel Extension adds support for compressed data PDUs. It is possible for a single message to contain both compressed and uncompressed data blocks. A DVC manager that supports version 3 of this protocol MUST be able to

handle a sequence beginning with either a DYNVC\_DATA\_FIRST (section 2.2.3.1) structure or a DYNVC\_DATA\_FIRST\_COMPRESSED (section 2.2.3.3) structure, followed by an arbitrary sequence of DYNVC\_DATA (section 2.2.3.2) structures and DYNVC\_DATA\_COMPRESSED (section 2.2.3.4) structures.

For an overview of sending and receiving data, see section 1.3.3.2.

### 2.2.3.1 DVC Data First PDU (DYNVC\_DATA\_FIRST)

The DYNVC\_DATA\_FIRST PDU is used to send the first block of data of a fragmented message when compression is not being used for the data block. It MUST be the first PDU sent when a message has been fragmented and the data block is not compressed. The total length, in bytes, of the message to be sent is indicated in the **Length** field, and the data field contains the first block of the fragmented data.

0	1	2	3	4	5	6	7	8	9	0	1	2	3	4	5	6	7	8	9	0	1	2	3	4	5	6	7	8	9	0	1
Cmd				Len		cbChId		ChannelId (variable)																							
...								Length (variable)																							
...								Data (variable)																							
...																															

**Cmd (4 bits):** This field MUST be set to 0x02 (Data First).

**Len (2 bits):** Indicates the length of the **Length** field.

Value	Meaning
0x0	<b>Length</b> field length is 1 byte.
0x1	<b>Length</b> field length is 2 bytes.
0x2	<b>Length</b> field length is 4 bytes.
0x3	Invalid value; MUST NOT be used.

**cbChId (2 bits):** Indicates the length of the **ChannelId** field.

Value	Meaning
0x0	<b>ChannelId</b> field length is 1 byte.
0x1	<b>ChannelId</b> field length is 2 bytes.
0x2	<b>ChannelId</b> field length is 4 bytes.
0x3	Invalid value.

**ChannelId (variable):** A variable-length 8-bit, 16-bit, or 32-bit unsigned integer. Set to the value of the **ChannelId** associated with the DVC on which the PDU is being sent.

**Length (variable):** A variable length 8-bit, 16-bit, or 32-bit unsigned integer. Set to total length of the message to be sent.

**Data (variable):** An array of bytes. The first block of data of a fragmented message. Message data is sent as 8-bit unsigned integers. The DVC header size is defined as the sum of the sizes of the **Cmd**, **Len**, **cbChId**, **ChannelId** and **Length** fields. The length of the data in the **Data** field is determined as follows:

- If the sum of the DVC header size and the value specified by the **Length** field is less than 1,600 bytes, then the actual data length equals the value specified by the **Length** field.
- If the sum of the DVC header size and the value specified by the **Length** field is equal to or larger than 1,600 bytes, then the actual data length equals 1,600 bytes minus the DVC header size.

### 2.2.3.2 DVC Data PDU (DYNVC\_DATA)

The DYNVC\_DATA PDU is used to send both single messages and blocks of fragmented messages when compression is not being used for the data block.

A single DYNVC\_DATA PDU is used to send a message when the total length of the message data is less than or equal to 1,590 bytes.

Multiple DYNVC\_DATA PDUs are used to send messages that have been fragmented and that are sent subsequent to a DYNVC\_DATA\_FIRST (section 2.2.3.1) PDU. DYNVC\_DATA PDUs are sent until the entire fragmented message has been sent.

0	1	2	3	4	5	6	7	8	9	0	1	2	3	4	5	6	7	8	9	0	1	2	3	4	5	6	7	8	9	0	1
Cmd				Sp		cbChId		ChannelId (variable)																							
...																															
Data (variable)																															
...																															

**Cmd (4 bits):** MUST be set to 0x03 (Data).

**Sp (2 bits):** Unused. SHOULD be initialized to 0x00. <7>

**cbChId (2 bits):** Indicates the length of the **ChannelId** field.

Value	Meaning
0x00	<b>ChannelId</b> field length is 1 byte.
0x01	<b>ChannelId</b> field length is 2 bytes.
0x02	<b>ChannelId</b> field length is 4 bytes.
0x03	Invalid value.

**ChannelId (variable):** A variable-length 8-bit, 16-bit, or 32-bit unsigned integer. Set to the value of the **ChannelId** associated with the DVC upon which the PDU is being sent.

**Data (variable):** An array of bytes. Message data is sent as 8-bit unsigned integers. The maximum size of the array is 1,600 minus the length of the DYNVC\_DATA header in bytes. The actual size of this field is the length of the packet after reassembly, as described in [MS-RDPBCGR] section 3.1.5.2.2.1, minus the space taken for **Cmd**, **Sp**, **cbChId**, and **ChannelId** fields.

### 2.2.3.3 DVC Data First Compressed PDU (DYNVC\_DATA\_FIRST\_COMPRESSED)

The DYNVC\_DATA\_FIRST\_COMPRESSED PDU is used to send the first block of data of a fragmented message when the data block is compressed. It MUST be the first PDU sent when the message has been fragmented and the data block is compressed. The total uncompressed length, in bytes, of the message to be sent is indicated in the Length field, and the data field contains the first block of the fragmented, compressed data. This PDU MUST NOT be used unless both DVC managers support version 3 of the Remote Desktop Protocol: Dynamic Virtual Channel Extension, and a reliable transport is being used (UDP-R or TCP).

0	1	2	3	4	5	6	7	8	9	0	1	2	3	4	5	6	7	8	9	0	1	2	3	4	5	6	7	8	9	0	1
Cmd				Len		cbChId		ChannelId (variable)																							
...								Length (variable)																							
...								Data (variable)																							
...																															

**Cmd (4 bits):** This field MUST be set to 0x06 (Data First Compressed).

**Len (2 bits):** Indicates the length of the **Length** field.

Value	Meaning
0x0	<b>Length</b> field length is 1 byte.
0x1	<b>Length</b> field length is 2 bytes.
0x2	<b>Length</b> field length is 4 bytes.
0x3	Invalid value; MUST NOT be used.

**cbChId (2 bits):** Indicates the length of the **ChannelId** field.

Value	Meaning
0x0	<b>ChannelId</b> field length is 1 byte.
0x1	<b>ChannelId</b> field length is 2 bytes.
0x2	<b>ChannelId</b> field length is 4 bytes.
0x3	Invalid value.

**ChannelId (variable):** A variable-length 8-bit, 16-bit, or 32-bit unsigned integer. Set to the value of the **ChannelId** associated with the DVC on which the PDU is being sent.

**Length (variable):** A variable length 8-bit, 16-bit, or 32-bit unsigned integer. Set to total length of the message to be sent.

**Data (variable):** An RDP8\_BULK\_ENCODED\_DATA ([MS-RDPEGF] section 2.2.5.3) structure containing the first block of data of a fragmented message, where the data has been compressed with the RDP 8.0 Bulk Compression algorithm ([MS-RDPEGF] section 3.1.9.1) with the following modifications:



- Maximum number of uncompressed bytes in a single segment: 8,192 instead of 65,535.
- Maximum match distance / minimum history size: 8,192 bytes instead of 2,500,000 bytes.
- The compression type code is PACKET\_COMPR\_TYPE\_RDP8\_LITE (0x06) instead of PACKET\_COMPR\_TYPE\_RDP8 (0x04).

If the data block cannot be compressed, the length of the **Data** field will be exactly one byte larger than the length of the uncompressed data block, in order to contain the **Descriptor** field. Thus, the maximum length of the data block, before compression, is 1,599 bytes minus the space taken for the **Cmd**, **Len**, **cbChId**, **ChannelId**, and **Length** fields.

### 2.2.3.4 DVC Data Compressed PDU (DYNVC\_DATA\_COMPRESSED)

The DYNVC\_DATA\_COMPRESSED PDU is used to send both single messages and blocks of fragmented messages when the data block is compressed.

A single DYNVC\_DATA\_COMPRESSED PDU is used to send a message when the total length of the original message data, before compression, is less than or equal to 1,590 bytes.

Multiple DYNVC\_DATA\_COMPRESSED PDUs are used to send messages that have been fragmented and are sent subsequent to a DYNVC\_DATA\_FIRST\_COMPRESSED (section 2.2.3.3) PDU. DYNVC\_DATA\_COMPRESSED PDUs are sent until the entire fragmented message has been sent. This PDU MUST NOT be used unless both DVC managers support version 3 of the Remote Desktop Protocol: Dynamic Virtual Channel Extension, and a reliable transport is being used (UDP-R or TCP).

0	1	2	3	4	5	6	7	8	9	0	1	2	3	4	5	6	7	8	9	0	1	2	3	4	5	6	7	8	9	0	1
Cmd				Sp		cbChId		ChannelId (variable)																							
...																															
Data (variable)																															
...																															

**Cmd (4 bits):** MUST be set to 0x07 (Data Compressed).

**Sp (2 bits):** Unused. SHOULD be initialized to 0x00.

**cbChId (2 bits):** Indicates the length of the **ChannelId** field.

Value	Meaning
0x00	<b>ChannelId</b> field length is 1 byte.
0x01	<b>ChannelId</b> field length is 2 bytes.
0x02	<b>ChannelId</b> field length is 4 bytes.
0x03	Invalid value.

**ChannelId (variable):** A variable-length 8-bit, 16-bit, or 32-bit unsigned integer. Set to the value of the **ChannelId** associated with the DVC upon which the PDU is being sent.

**Data (variable):** An RDP8\_BULK\_ENCODED\_DATA ([MS-RDPEGF] section 2.2.5.3) structure containing the first block of data of a fragmented message, where the data has been compressed

with the RDP 8.0 Bulk Compression algorithm ([MS-RDPEGFX] section 3.1.9.1) with the following modifications:

- Maximum number of uncompressed bytes in a single segment: 8,192 instead of 65,535.
- Maximum match distance / minimum history size: 8,192 bytes instead of 2,500,000 bytes.
- The compression type code is PACKET\_COMPR\_TYPE\_RDP8\_LITE (0x06) instead of PACKET\_COMPR\_TYPE\_RDP8 (0x04).

If the data block cannot be compressed, the length of the **Data** field will be exactly one byte larger than the length of the uncompressed data block, in order to contain the **Descriptor** field. Thus, the maximum length of the data block, before compression, is 1,599 bytes minus the space taken for **Cmd**, **Sp**, **cbChId**, and **ChannelId** fields.

## 2.2.4 Closing a DVC (DYNVC\_CLOSE)

A DYNVC\_CLOSE (section 2.2.4) PDU is sent by either a DVC server manager or a DVC client manager to close a DVC. A DYNVC\_CLOSE (section 2.2.4) PDU is used for both a close request and a close response.

0	1	2	3	4	5	6	7	8	9	0	1	2	3	4	5	6	7	8	9	0	1	2	3	4	5	6	7	8	9	0	1
Cmd				Sp		cbChId		ChannelId (variable)																							
...																															

**Cmd (4 bits):** MUST be set to 0x04. (Close)

**Sp (2 bits):** Unused. SHOULD be initialized to 0x00.

**cbChId (2 bits):** Indicates the length of the **ChannelId** field.

Value	Meaning
0x00	<b>ChannelId</b> field length is 1 byte.
0x01	<b>ChannelId</b> field length is 2 bytes.
0x02	<b>ChannelId</b> field length is 4 bytes.
0x03	Invalid value.

**ChannelId (variable):** A variable length 8-bit, 16-bit, or 32-bit unsigned integer. Set to the value of the **ChannelId** associated with the DVC that is being closed.

## 2.2.5 Soft-Sync

Soft-Sync is an optional feature used to defer the use of the multitransport tunnels (reliable UDP and lossy UDP as described in [MS-RDPPEMT] section 1.3) as a transport for dynamic virtual channels until after these tunnels have been successfully created. For an overview of Soft-Sync, see section 3.1.5.3.

### 2.2.5.1 Soft-Sync Request PDU (DYNVC\_SOFT\_SYNC\_REQUEST)

A DYNVC\_SOFT\_SYNC\_REQUEST PDU is sent by a DVC server manager over the DRDYNVC static virtual channel on the main RDP connection.

0	1	2	3	4	5	6	7	8	9	10	11	12	13	14	15	16	17	18	19	20	21	22	23	24	25	26	27	28	29	30	31
Cmd				Sp		cbChId		Pad								Length															
...																Flags															
NumberOfTunnels																SoftSyncChannelLists (variable)															
...																															

**Cmd (4 bits):** MUST be set to 0x08. (Soft-Sync Request)

**Sp (2 bits):** Unused. MUST be set to 0x00.

**cbChId (2 bits):** Unused. MUST be set to 0x00.

**Pad (1 byte):** An 8-bit, unsigned integer. Unused. MUST be set to 0x00.

**Length (4 bytes):** A 32-bit, unsigned integer indicating the total size, in bytes, of [the Length, Flags, NumberOfTunnels, and SoftSyncChannelLists fields](#).

**Flags (2 bytes):** A 16-bit, unsigned integer that specifies the contents of this PDU.

Flags	Meaning
SOFT_SYNC_TCP_FLUSHED 0x01	Indicates that no more data will be sent over TCP for the specified DVCs. This flag MUST be set.
SOFT_SYNC_CHANNEL_LIST_PRESENT 0x02	Indicates that one or more Soft-Sync Channel Lists (section 3.1.5.1.1) are present in this PDU.

**NumberOfTunnels (2 bytes):** A 16-bit, unsigned integer that indicates the number of multitransport tunnels on which dynamic virtual channel data will be written by the server manager.

**SoftSyncChannelLists (variable):** This field can contain one or more DYNVC\_SOFT\_SYNC\_CHANNEL\_LIST (section 3.1.5.1.1) structures as indicated by the **NumberOfTunnels** field and the SOFT\_SYNC\_CHANNEL\_LIST\_PRESENT flag.

### 2.2.5.1.1 Soft-Sync Channel List (DYNVC\_SOFT\_SYNC\_CHANNEL\_LIST)

One or more DYNVC\_SOFT\_SYNC\_CHANNEL\_LISTs are contained in a Soft-Sync Request PDU to indicate which dynamic virtual channels have data written by the server on the specified multitransport tunnel. The values specified in the **TunnelType** and **ChannelId** fields MUST NOT appear in more than one Soft-Sync Channel List.

0	1	2	3	4	5	6	7	8	9	10	11	12	13	14	15	16	17	18	19	20	21	22	23	24	25	26	27	28	29	30	31
TunnelType																															
NumberOfDVCs																ListOfDVCIds (variable)															
...																															

**TunnelType (4 bytes):** Indicates the target tunnel type for the transport switch.

Value	Meaning
TUNNELTYPE_UDPFECR 0x00000001	RDP-UDP Forward Error Correction (FEC) multitransport tunnel ([MS-RDPEMT] section 1.3).
TUNNELTYPE_UDPFECFL 0x00000003	RDP-UDP FEC lossy multitransport tunnel ([MS-RDPEMT] section 1.3).

**NumberOfDVCs (2 bytes):** A 16-bit, unsigned integer indicating the number of DVCs that will have data written by the server manager on this tunnel.

**ListOfDVCIds (variable):** One or more 32-bit, unsigned integers, as indicated by the **NumberOfDVCs** field, containing the channel ID of each DVC that will have data written by the server manager on this tunnel.

### 2.2.5.2 Soft-Sync Response PDU (DYNVC\_SOFT\_SYNC\_RESPONSE)

A DYNVC\_SOFT\_SYNC\_RESPONSE PDU is sent by a DVC client manager over the DRDYNVC static virtual channel on the main RDP connection in response to a Soft-Sync Request PDU (section 2.2.5.1). This PDU MUST include all of the multitransport tunnels that will be used by the client manager for writing data to a DVC.

0	1	2	3	4	5	6	7	8	9	10	11	12	13	14	15	16	17	18	19	20	21	22	23	24	25	26	27	28	29	30	31
Cmd				Sp		cbChId		Pad								NumberOfTunnels															
...																TunnelsToSwitch (variable)															
...																															

**Cmd (4 bits):** MUST be set to 0x09. (Soft-Sync Response)

**Sp (2 bits):** Unused. MUST be set to 0x00.

**cbChId (2 bits):** Unused. MUST be set to 0x00.

**Pad (1 byte):** An 8-bit unsigned integer. Unused. MUST be set to 0x00.

**NumberOfTunnels (4 bytes):** A 32-bit, unsigned integer indicating the number of multitransport tunnels on which DVC data will be written by the client manager.

**TunnelsToSwitch (variable):** One or more 32-bit, unsigned integers, as indicated by the **NumberOfTunnels** field, containing the type of each tunnel on which DVC data will be written by the client manager.

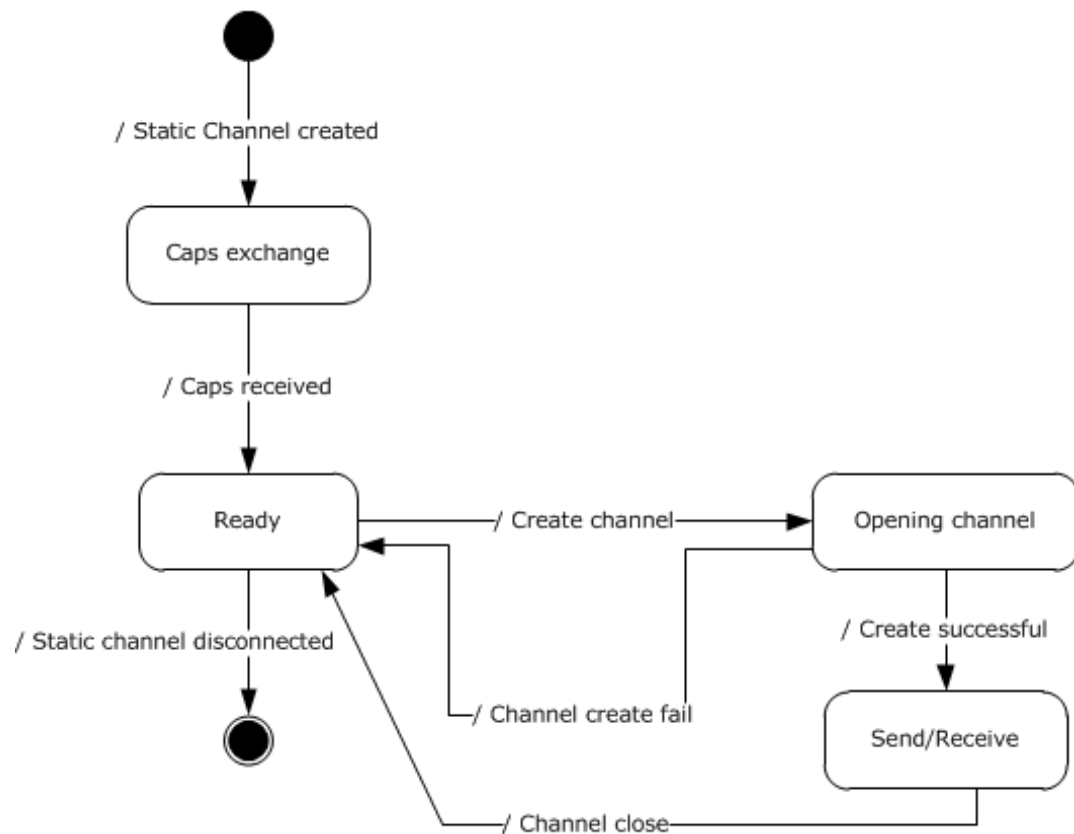
Value	Meaning
TUNNELTYPE_UDPFECR 0x00000001	RDP-UDP Forward Error Correction (FEC) reliable multitransport tunnel ([MS-RDPEMT] section 1.3).
TUNNELTYPE_UDPFECFL 0x00000003	RDP-UDP FEC lossy multitransport tunnel ([MS-RDPEMT] section 1.3).

### 3 Protocol Details

The following sections specify details of the Remote Desktop Protocol: Dynamic Virtual Channel Extension, including common, client, and server abstract data models and message processing rules.

#### 3.1 Common Details

The following diagram illustrates the states and transitions of this protocol.



**Figure 7: State diagram**

**Static channel created event:** This event signals that the static channel is available to send and receive data, as described in [MS-RDPBCGR] section 3.1.5.2.

**Caps exchange state:** In this state, the client and the server exchange capabilities, as described in section 2.2.1.

**Caps received event:** After the capabilities have been received by both sides, the protocol is ready to open dynamic channels.

**Ready state:** In this state, the protocol can open new channels, as described in 2.2.2. For each new channel it will enter new state.

**Create channel event:** Signifies that the server is requesting a new channel, as described in section 2.2.2.

**Opening channel state:** In this state, the server awaits a DVC Create Response PDU, as described in section 2.2.2.2.

**Channel create fail event:** The response indicated failure, the channel is closed.

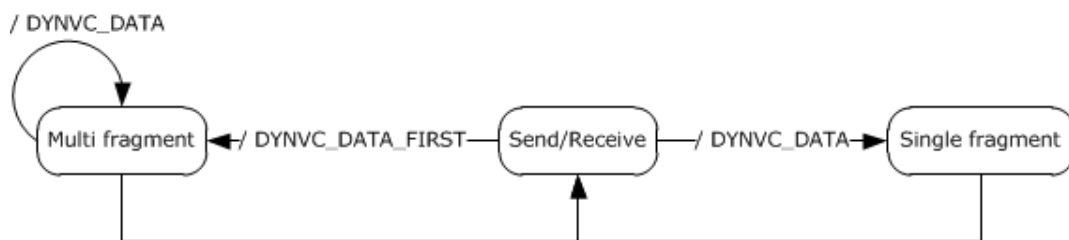
**Create success event:** The channel is ready to send and receive data.

**Send/Receive state:** The dynamic channel is ready to send and process incoming data. See below for detailed data processing state diagram.

**Channel close event:** Close the channel because either the client or the server have sent Closing a DVC packet, as described in section 2.2.4.

**Static channel disconnected event:** This event signifies that the connection between the client and the server is broken and, at this point, the protocol terminates.

The following diagram illustrates data processing while a channel is in the Send/Receive state.



**Figure 8: Data processing while a channel is in Send/Receive state**

There are basically two substates:

**Multi fragment state:** This state starts with DYNVC\_DATA\_FIRST packet and then multiple DYNVC\_DATA packets until the amount of data received is equal to the **Length** field of this packet.

**Single fragment:** Only a single DYNVC\_DATA packet is received.

These reassembly rules are described in more detail in section 3.1.5.2.3.

### 3.1.1 Abstract Data Model

This section describes a conceptual model of possible data organization that an implementation maintains to participate in this protocol. The organization is provided to explain how the protocol behaves. This document does not mandate that implementations adhere to this model, as long as their external behavior is consistent with that described in this document.

**ChannelId:** A unique ID that the server generates and sends in a DVC Create Request PDU (section 2.2.2.1). The **ChannelId** is valid until the server or client issues a Closing a DVC PDU (as specified in section 2.2.4); afterwards, the **ChannelId** value can be reused in another DVC Create Request PDU.

**Listener:** A logical object identified by its name which consists of a string of ANSI encoded characters. The server uses the listener name to initiate channel connection by using a DVC Create Request PDU. The client maintains a list of active listeners and uses that list to send a DVC Create Response PDU (section 2.2.2.2). The client MAY change the list at any time without notifying the server. Changing the list content MUST NOT result in any change in the existing DVC state.

**Priority Class:** This field identifies how much bandwidth needs to be allocated for a particular class of channels. The bandwidth used by all channels with the same **Priority Class** MUST have a predetermined allocation, as described in section 2.2.1.1.2. **Priority Class** of value 0 will use the bandwidth calculated from PriorityCharge0, Priority Class of 1 will use PriorityCharge2, and so on.

**Version:** The number exchanged between clients in DVC Capabilities Request/Response packets, see section 2.2.1.1. It is used by both sides to determine what features the protocol supports as described in section 3.2.3.1.

### 3.1.2 Timers

No common timers are used.

### 3.1.3 Initialization

The TS server DVC manager begins the initialization sequence immediately following the establishment of a static virtual channel session, as specified in [MS-RDPBCGR] section 3.1.5.2. A TS server DVC manager and a TS client DVC manager exchange Capabilities PDUs as described in section 2.2.1 and initialize themselves to the version level negotiated. Individual DVCs are created by the DVC server manager exchanging the DVC Create Request/Response, as described in section 2.2.2, with the DVC client manager only after the Capabilities PDUs have been exchanged.

### 3.1.4 Higher-Layer Triggered Events

There are no common events specified for the Remote Desktop Protocol: Dynamic Virtual Channel Extension.

### 3.1.5 Message Processing Events and Sequencing Rules

Sending and receiving messages is symmetrical between the DVC server manager and the DVC client manager. After the server creates a DVC, applications running on either the server or the client can initiate sending a message. The PDUs and the sending sequence are the same regardless of who initiates sending the message.

Messages are sent and received using four different PDUs, depending on the total length of the message being sent and whether bulk compression is used.

- DYNVC\_DATA\_FIRST (section 2.2.3.1)
- DYNVC\_DATA (section 2.2.3.2)
- DYNVC\_DATA\_FIRST\_COMPRESSED (section 2.2.3.3)
- DYNVC\_DATA\_COMPRESSED (section 2.2.3.4)

The maximum message size that an application can pass to a DVC manager for sending to a receiver at one time is  $2^{32}-1$  bytes. The Remote Desktop Protocol: Dynamic Virtual Channel Extension specifies a maximum PDU size of 1,600 bytes. A data PDU consists of a header and message data. Large messages are fragmented by the sending DVC manager and reassembled by the receiving DVC manager. This is provided as a service to the requesting application.

Data transmitted over an unreliable channel MUST NOT be fragmented because an unreliable channel cannot guarantee that there will be no dropped or out-of-order sequence packets. In terms of the transports described in section 2.1, static virtual channels and UDP-R multitransport connections provide reliable data transportation, while UDP-L multitransport connections are unreliable and MUST NOT transport fragmented data.

### 3.1.5.1 Sending Data

#### 3.1.5.1.1 DVC Data First (DYNVC\_DATA\_FIRST)

When the length of the message data being sent exceeds 1,590 bytes, the DYNVC\_DATA\_FIRST (section 2.2.3.1) PDU is sent as the first data PDU. The **Length** field is set to the total length of the message, and the **Data** field contains the first block of fragmented data. Subsequent DYNVC\_DATA (section 2.2.3.2) PDUs are sent until all the data has been sent.

To send compressed data, the DYNVC\_DATA\_FIRST\_COMPRESSED (section 2.2.3.3) PDU can be used in place of the DYNVC\_DATA\_FIRST PDU, as specified in section 3.1.5.1.3.

#### 3.1.5.1.2 DVC Data (DYNVC\_DATA)

The DYNVC\_DATA (section 2.2.3.2) PDU is used to send data when the total length of the PDU message plus the PDU header exceeds 1,600 bytes or the length of the message data being sent is less than 1,590 bytes. In the case where the total length of the PDU message plus the PDU header exceeds 1,600 bytes, the DYNVC\_DATA\_FIRST (section 2.2.3.1) PDU is sent as the first data PDU, followed by DYNVC\_DATA (section 2.2.3.2) PDUs until all the data has been sent.

To send compressed data, the DYNVC\_DATA\_COMPRESSED (section 2.2.3.4) PDU can be used in place of the DYNVC\_DATA PDU, as specified in section 3.1.5.1.4.

#### 3.1.5.1.3 DVC Data First Compressed (DYNVC\_DATA\_FIRST\_COMPRESSED)

When the length of the original uncompressed message data being sent exceeds 1,590 bytes, and bulk data compression of the channel data is desired, the DYNVC\_DATA\_FIRST\_COMPRESSED (section 2.2.3.3) PDU is sent as the first data PDU. The Length field is set to the total uncompressed length of the message, and the Data field contains a RDP8\_BULK\_ENCODED\_DATA ([MS-RDPEGFX] section 2.2.5.3) structure containing the first data block, compressed with the RDP 8.0 Bulk Data Compressor ([MS-RDPEGFX] section 3.1.9.1). Subsequent DYNVC\_DATA\_COMPRESSED (section 2.2.3.4) PDUs are sent until all the data has been sent.

This PDU MUST be used only over a reliable transport (UDP-R or TCP) between two DVC managers that support version 3 of the Remote Desktop Protocol: Dynamic Channel Virtual Channel Extension.

#### 3.1.5.1.4 DVC Data Compressed (DYNVC\_DATA\_COMPRESSED)

The DYNVC\_DATA\_COMPRESSED (section 2.2.3.4) PDU is used to send data when bulk data compression of the channel data is desired. If the total uncompressed length of the message exceeds 1,590 bytes, the DYNVC\_DATA\_FIRST\_COMPRESSED (section 2.2.3.3) PDU is sent as the first data PDU, followed by DYNVC\_DATA\_COMPRESSED (section 2.2.3.4) PDUs until all the data has been sent. If the total uncompressed length of the message is less than 1,590 bytes, a single DYNVC\_DATA\_COMPRESSED (section 2.2.3.4) PDU is sent.

This PDU MUST be used only over a reliable transport (UDP-R or TCP) between two DVC managers that support version 3 of the Remote Desktop Protocol: Dynamic Channel Virtual Channel Extension.

### 3.1.5.2 Receiving Data

Data transmitted over an unreliable channel MUST NOT be fragmented, because an unreliable channel cannot guarantee that there will be no dropped or out-of-order sequence packets. In terms of the transports described in section 2.1, static virtual channels and UDP-R multitransport connections provide reliable data transportation, while UDP-L multitransport connections are unreliable and MUST NOT transport fragmented data.

#### 3.1.5.2.1 DVC Data First (DYNVC\_DATA\_FIRST)



When the DVC manager receives a PDU, it checks the **Cmd** field to determine the type of PDU that has been sent. If the **Cmd** field is set to 0x02, the PDU type is DYNVC\_DATA\_FIRST (section 2.2.3.1). The **Length** field indicates the total length of the message that is being sent, and the data field contains the first block of the fragmented message. The DVC manager stores the data and reads the next data PDU.

### 3.1.5.2.2 DVC Data (DYNVC\_DATA)

When the DVC manager receives a PDU, it checks the **Cmd** field to determine the type of PDU that has been sent. If the **Cmd** field is set to 0x03, the PDU type is DYNVC\_DATA (section 2.2.3.2). This PDU is used to send blocks of fragmented messages or one complete nonfragmented message.

If a DYNVC\_DATA (section 2.2.3.2) PDU is preceded by a DYNVC\_DATA\_FIRST (section 2.2.3.1) PDU or a DYNVC\_DATA\_FIRST\_COMPRESSED (section 2.2.3.3) PDU, the receiver stores this data with the previously received data and continues to receive DYNVC\_DATA (section 2.2.3.2) PDUs until the entire message has been received. The DVC manager reassembles the fragmented data and passes a complete message to the receiver.

If a DYNVC\_DATA (section 2.2.3.2) PDU is not preceded by a DYNVC\_DATA\_FIRST (section 2.2.3.1) PDU, the receiver passes the message in the **Data** field directly to the receiver without further processing.

### 3.1.5.2.3 Reassembly of Fragmented Virtual Channel Data

The DVC message can span multiple DVC data packets. If a transmission sequence starts with DYNVC\_DATA\_FIRST (section 2.2.3.1) or DYNVC\_DATA\_FIRST\_COMPRESSED (section 2.2.3.3), this indicates a multiple-data packet transmission, with the total length of the data indicated by the **Length** field of DYNVC\_DATA\_FIRST or DYNVC\_DATA\_FIRST\_COMPRESSED packet.

The data arrives in multiple consecutive DYNVC\_DATA (section 2.2.3.2) or DYNVC\_DATA\_COMPRESSED (section 2.2.3.4) packets until the total length of the message is received. At this point, the message can be processed.

If a transmission sequence starts with a DYNVC\_DATA or DYNVC\_DATA\_COMPRESSED packet, then the DVC data message does not span multiple DVC packets, and the data can be processed immediately.

### 3.1.5.2.4 Processing Packet Errors

When an unrecognized or malformed packet is received by the server or the client, the implementation **MUST** terminate the static virtual channel connection. This action **MUST** be taken for any unrecognized message or field values.

If a packet is received with a length shorter than the expected length, the implementation **MUST** terminate the static virtual channel connection.

Out-of-sequence packets, or the receipt of multiples of packets that are supposed to be received only once, **MUST** terminate the static virtual channel connection.

### 3.1.5.2.5 DVC Data First Compressed (DYNVC\_DATA\_FIRST\_COMPRESSED)

When the DVC manager receives a PDU, the **Cmd** field **MUST** be checked to determine the type of PDU that has been sent. If the **Cmd** field is set to 0x06, the PDU type is DYNVC\_DATA\_FIRST\_COMPRESSED (section 2.2.3.3). The **Length** field indicates the total uncompressed length of the message that is being sent, and the data field contains the first block of the fragmented message. The DVC manager decompresses the data block using RDP 8.0 Bulk Data Compression ([MS-RDPEFGX] section 3.1.9.1), stores the data, and reads the next data PDU.

### 3.1.5.2.6 DVC Data Compressed (DYNVC\_DATA\_COMPRESSED)

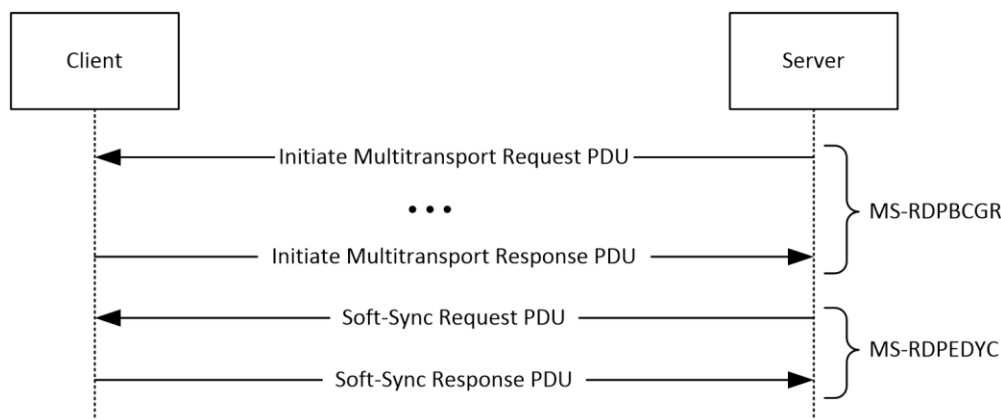
When the DVC manager receives a PDU, the **Cmd** field MUST be checked to determine the type of PDU that has been sent. If the **Cmd** field is set to 0x07, the PDU type is DYNVC\_DATA\_COMPRESSED (section 2.2.3.4). This PDU is used to send blocks of fragmented messages or one complete unfragmented message when compression is used.

If a DYNVC\_DATA\_COMPRESSED (section 2.2.3.4) PDU is preceded by a DYNVC\_DATA\_FIRST (section 2.2.3.1) PDU or DYNVC\_DATA\_FIRST\_COMPRESSED (section 2.2.3.3) PDU, the receiver MUST decompress the data block using RDP 8.0 Bulk Data Compression ([MS-RDPEGFX] section 3.1.9.1), store this data with the previously received data, and continue to receive DYNVC\_DATA\_COMPRESSED (section 2.2.3.4) PDUs until the entire message has been received. The DVC manager reassembles the fragmented data and passes a complete message to the receiver.

If a DYNVC\_DATA\_COMPRESSED (section 2.2.3.4) PDU is not preceded by a DYNVC\_DATA\_FIRST (section 2.2.3.1) PDU or DYNVC\_DATA\_FIRST\_COMPRESSED (section 2.2.3.3) PDU, the receiver MUST decompress the message in the **Data** field using RDP 8.0 Bulk Data Compression and pass it directly to the receiver without further processing.

### 3.1.5.3 Soft-Sync

Soft-Sync is an optional feature used to defer the use of the multitransport tunnels (reliable UDP and lossy UDP as described in [MS-RDPEMT] section 1.3) as a transport for dynamic virtual channels until after these tunnels have been successfully created.<8>



**Figure 9: Soft-Sync negotiation**

The server and client indicate support for Soft-Sync by setting the SOFTSYNC\_TCP\_TO\_UDP flag in the Server Multitransport Channel Data ([MS-RDPBCGR] section 2.2.1.3.8) and Client Multitransport Channel Data ([MS-RDPBCGR] section 2.2.1.4.6). Soft-Sync MUST NOT be used unless it is supported by both the server and client.

If Soft-Sync is supported by the server and client, the DRDYNVC static virtual channel on the main RDP connection MUST initially be used by the server manager and client manager for reading and writing all dynamic virtual channel data. The server manager and client manager MUST NOT send or receive any dynamic virtual channel data on the multitransport tunnels until the Soft-Sync negotiation has completed.

The Initiate Multitransport Response PDU ([MS-RDPBCGR] section 2.2.15.2) MUST be sent to the server after a multitransport tunnel is created. Soft-Sync MUST NOT occur until a successful Initiate Multitransport Response PDU has been received by the server for all supported multitransport tunnels.

The server manager sends a Soft-Sync Request PDU (section 2.2.5.1) to the client manager and then starts to send dynamic virtual channel data on the multitransport tunnels. After receiving the Soft-Sync Request PDU, the client manager sends a Soft-Sync Response PDU (section 2.2.5.2) to the server manager and then starts sending and receiving dynamic virtual channel data on the multitransport tunnels. After receiving the Soft-Sync Response PDU, the server manager starts to receive dynamic virtual channel data on the multitransport tunnels.

### 3.1.5.4 Tunneling Static VC Traffic

Static virtual channel traffic can optionally be tunneled over a reliable multitransport tunnel, using dynamic virtual channels, if this capability is supported by the server and client.

#### 3.1.5.4.1 Initialization

The server and client indicate support for tunneling static virtual channel traffic over a reliable multitransport tunnel by setting the `TRANSPORTTYPE_UDP_PREFERRED` (0x100) flag in the Server Multitransport Channel Data ([MS-RDPBCGR] section 2.2.1.3.8) and Client Multitransport Channel Data ([MS-RDPBCGR] section 2.2.1.4.6). This flag SHOULD be set only if the `SOFTSYNC_TCP_TO_UDP` (0x200) flag is also set. Static virtual channel tunneling MUST NOT be used unless it is supported by both the server and client.

Static virtual channels MUST be created on the main RDP connection as described in [MS-RDPBCGR] section 1.3.1.1, using the Client MCS Channel Join Request ([MS-RDPBCGR] section 2.2.1.8) and Server MCS Channel Join Confirm PDUs ([MS-RDPBCGR] section 2.2.1.9). Data MUST NOT be sent or received over these static virtual channels, with the exception of the `DRDYNVC` channel, which is used to encapsulate dynamic virtual channel data (section 1.3.1.1).

#### 3.1.5.4.2 Creating Tunneling DVCs

After the server has completed processing of all the MCS Channel Join Request PDUs ([MS-RDPBCGR] section 2.2.1.8), sent the corresponding Channel Join Confirm PDUs ([MS-RDPBCGR] section 2.2.1.9), and performed any necessary dynamic virtual channel initialization (section 2.2.1), the server manager MUST send a DVC Create Request PDU (section 2.2.2.1). The **ChannelName** field in the DVC Create Request PDU MUST be set to the corresponding ANSI static virtual channel name that was specified in the **channelDefArray** field of the Client Network Data block of the MCS Connect Initial PDU ([MS-RDPBCGR] section 2.2.1.3.4). A DVC Create Request PDU MUST be sent for all static virtual channels with the exception of the `DRDYNVC` channel, which MUST continue to be used as a static virtual channel.

The server and client DVC managers MUST use the dynamic virtual channel to send and receive all data for the corresponding static virtual channel. The incoming data SHOULD NOT be reassembled by the client or server manager. Rather, each data chunk from the data PDUs (section 2.2.3) MUST be delivered as-is so that the application endpoint can perform the reassembly (as specified in [MS-RDPBCGR] section 3.1.5.2.2.1), hence ensuring that there is no change in the data transfer interface layer.

#### 3.1.5.4.3 Relation to Soft-Sync

Before Soft-Sync is complete, the dynamic virtual channels that are tunneling static virtual channel data will send and receive data using the `DRDYNVC` static virtual channel on the main RDP connection. If Soft-Sync completes successfully on these dynamic virtual channels, they MUST start to use a reliable multitransport tunnel.

The server manager SHOULD perform Soft-Sync on all dynamic virtual channels that are tunneling static virtual channel data by indicating each channel ID in the **SoftSyncChannelLists** field of the Soft-Sync Request PDU (section 2.2.5.1). The server manager MUST specify a reliable transport (for example, `TUNNELTYPE_UDPFECR`) in the **TunnelType** field of a Soft-Sync Request PDU that specifies one or more dynamic virtual channels tunneling static virtual channel data.

#### 3.1.5.4.4 Recovering Static Virtual Channel Flags

The encapsulations in section 1.3.1 are also valid for static virtual channel tunneling. No additional Channel PDU Header is present for the encapsulated data ([MS-RDPBCGR] section 2.2.6.1.1). Thus, the Channel PDU Header flags are no longer transmitted with the static virtual channel data. Some of these flags can be recovered by the receiver as follows:

- CHANNEL\_FLAG\_FIRST (0x00000001) corresponds to a DYNVC\_DATA\_FIRST PDU (section 2.2.3.1), a DYNVC\_DATA\_FIRST\_COMPRESSED PDU (section 2.2.3.3), a DYNVC\_DATA PDU (section 2.2.3.2) containing the entire message, or a DYNVC\_DATA\_COMPRESSED PDU (section 2.2.3.4) containing the entire message.
- CHANNEL\_FLAG\_LAST (0x00000002) corresponds to a DYNVC\_DATA PDU (section 2.2.3.2) or a DYNVC\_DATA\_COMPRESSED PDU (section 2.2.3.4) if the entire message has been received.
- CHANNEL\_FLAG\_SHOW\_PROTOCOL (0x00000010) depends on the implementation only. An implementation can decide whether or not to prepend a Channel PDU Header ([MS-RDPBCGR] section 2.2.6.1.1) when the received data is passed to the application endpoint. The application endpoint MUST be given enough information to perform reassembly.<9>
- CHANNEL\_FLAG\_PACKET\_COMPRESSED (0x00200000) is not set because static virtual channel bulk compression MUST NOT be used to compress or decompress the message. If channel compression is desired, dynamic virtual channel compression can be used to compress the data by using the DYNVC\_DATA\_FIRST\_COMPRESSED PDU (section 2.2.3.3) and DYNVC\_DATA\_COMPRESSED PDU (section 2.2.3.4).

The remaining flags (which are used for static virtual channel bulk compression and flow control) cannot be used.

#### 3.1.5.4.5 Termination

Each tunneling dynamic virtual channel SHOULD remain open for the duration of the static virtual channel connection. If the application endpoint requests that the static virtual channel be closed, the DVC manager SHOULD silently discard any received data on the associated dynamic virtual channel.

#### 3.1.6 Timer Events

There are no common timer events.

#### 3.1.7 Other Local Events

There are no local events specified for the Remote Desktop Protocol: Dynamic Virtual Channel Extension.

### 3.2 Client Details

#### 3.2.1 Abstract Data Model

The abstract data model is specified in section 3.1.1.

#### 3.2.2 Timers

There are no client timers.

## 3.2.3 Initialization

### 3.2.3.1 DVC Client Manager Initialization

The Remote Desktop Protocol: Dynamic Virtual Channel Extension encompasses three version levels. The server specifies priority charges in Version 2 or 3 (as described in section 2.2.1.1.2); no such priority charges are specified in Version 1. If the client supports channel priorities, it **MUST** set the **Version** field of DYNVC\_CAPS\_RSP (section 2.2.1.2) to at least 2. The server specifies support for compressed dynamic virtual channel data as well as channel priorities by using the Version 3 PDU. If the client supports compressed dynamic virtual channel data as well as channel priorities, it **MUST** set the Version field of DYNVC\_CAPS\_RSP to 3.

Capabilities PDUs are exchanged to negotiate the version level of the Remote Desktop Protocol: Dynamic Virtual Channel Extension that is supported. Three different Capabilities PDUs are used to negotiate version level support.

- DYNVC\_CAPS\_VERSION1 (section 2.2.1.1.1) PDU is sent by a server to indicate it supports version 1 of this protocol.
- DYNVC\_CAPS\_VERSION2 (section 2.2.1.1.2) PDU is sent by a server to indicate it supports version 2 of this protocol.
- DYNVC\_CAPS\_VERSION3 (section 2.2.1.1.3) PDU is sent by a server to indicate it supports version 3 of this protocol.
- DYNVC\_CAPS\_RSP (section 2.2.1.2) PDU is sent by a client to acknowledge the version level it supports.

A Capabilities PDU has the **Cmd** field set to 0x05.

When a DVC client manager receives a Capabilities Request, it checks the **Version** field to determine what protocol version level the DVC server manager is requesting support for. The client **MUST** respond with a DYNVC\_CAPS\_RSP (section 2.2.1.2) PDU indicating the highest version level supported by the client.

#### 3.2.3.1.1 Version Level 1 (DYNVC\_CAPS\_VERSION1)

A DYNVC\_CAPS\_VERSION1 (section 2.2.1.1.1) PDU has the **Version** field set to 0x01.

#### 3.2.3.1.2 Version Level 2 (DYNVC\_CAPS\_VERSION2)

A DYNVC\_CAPS\_VERSION2 PDU has the **Version** field set to 0x02.

A DYNVC\_CAPS\_VERSION2 (section 2.2.1.1.2) PDU specifies a data message (or message) priority class. The client **SHOULD** use this information to allocate bandwidth for each priority class for the data that it sends to the server. Section 2.2.1.1.2 specifies how bandwidth is allocated based on the priority class.

#### 3.2.3.1.3 Version Level 3 (DYNVC\_CAPS\_VERSION3)

A DYNVC\_CAPS\_VERSION3 PDU has the **Version** field set to 0x03.

A DYNVC\_CAPS\_VERSION3 (section 2.2.1.1.3) PDU specifies a message priority class. The client **SHOULD** use this information to allocate bandwidth for each priority class for the data that it sends to the server. Section 2.2.1.1.2 specifies how bandwidth is allocated based on the priority class.

#### 3.2.3.1.4 Capabilities Response (DYNVC\_CAPS\_RSP)

If a client receives a DYNVC\_CAPS\_VERSION1 (section 2.2.1.1.1), a DYNVC\_CAPS\_VERSION2 (section 2.2.1.1.2), or a DYNVC\_CAPS\_VERSION3 (section 2.2.1.1.3) PDU from the server, it MUST reply with a Capabilities Response PDU (section 2.2.1.2).

### 3.2.3.2 DVC Initialization

#### 3.2.3.2.1 DVC Create Response (DYNVC\_CREATE\_RSP)

When a DVC client manager receives a DYNVC\_CREATE\_REQ (section 2.2.2.1) PDU from the DVC server manager, it uses the listener name and **ChannelId** to create a named channel. The DVC client manager uses the listener name to locate a listener on the TS client that has advertised itself as being available to accept connections. A client-side listener is created that associates the **ChannelId** with the specified listener. After the channel is created, the listener name is no longer used and all data is sent referencing the **ChannelId**.

The client responds to the server with a DYNVC\_CREATE\_RSP (section 2.2.2.2) PDU indicating the channel creation status. Any positive or zero value indicates success. A negative value indicates failure.

On failure, the server DVC manager can reuse the failed **ChannelId** for another channel without first sending a DYNVC\_CLOSE (section 2.2.4) PDU. Therefore, the client MUST NOT add the failed **ChannelId** into the list of active **ChannelIds**.

If the channel creation was successful, the client SHOULD maintain this channel until it is closed or the connection is terminated.

### 3.2.4 Higher-Layer Triggered Events

**Channel Close Request:** Sent by a listener to the DVC client manager requesting that a DVC be closed.

**Send-Data Request:** A message passed to the DVC client manager for sending data over a DVC.

### 3.2.5 Message Processing Events and Sequencing Rules

#### 3.2.5.1 Sending and Receiving Data

Sending and receiving messages is symmetrical between the DVC server manager and the DVC client manager. After the server creates a DVC, applications running on either the server or the client can initiate sending a message. The PDUs and the sending sequence are the same regardless of who initiates sending the message. The sending and receiving of data is specified in section 3.1.5.

#### 3.2.5.2 Closing a DVC (DYNVC\_CLOSE)

A channel can be closed by either a DVC client manager or a DVC server manager. A DYNVC\_CLOSE (section 2.2.4) PDU is used for both a close request and a close response.

When a DVC client manager receives a DYNVC\_CLOSE (section 2.2.4) PDU, the client MAY respond with a DYNVC\_CLOSE (section 2.2.4) PDU specifying the **ChannelId**.

When a client initiates a channel-close, it sends an unsolicited DYNVC\_CLOSE (section 2.2.4) PDU specifying the **ChannelId** to the server. The server does not respond to the DYNVC\_CLOSE (section 2.2.4) PDU.

Upon closing a channel, the client SHOULD remove the **ChannelId** from the list of active **ChannelIds**.

If the client receives a DYNVC\_CLOSE (section 2.2.4) PDU for a channel that is not in the list of active **ChannelIds**, the client MUST ignore the PDU and SHOULD NOT respond with a DYNVC\_CLOSE (section 2.2.4) PDU.

### 3.2.5.3 Soft-Sync

#### 3.2.5.3.1 Processing the Soft-Sync Request PDU

The structure and fields of the Soft-Sync Request PDU are specified in section 2.2.5.1. The receipt of this PDU indicates to the client manager that the server manager is now sending data for specific dynamic virtual channels on a multitransport tunnel. If Soft-Sync is supported by the server and client, then, in order to ensure that no data is received out of order, the client DVC manager MUST NOT begin to read dynamic virtual channel data on any multitransport tunnel until after the Soft-Sync Request PDU has been received.

The client DVC manager SHOULD respond to the Soft-Sync Request PDU by sending a Soft-Sync Response PDU. If the client DVC manager does not send a Soft-Sync Response PDU, then all dynamic virtual channel data MUST be sent over the DRDYNVC static virtual channel on the main RDP connection.

#### 3.2.5.3.2 Sending the Soft-Sync Response PDU

The structure and fields of the Soft-Sync Response PDU are specified in section 2.2.5.2, and the PDU MUST be initialized according to this specification. For each dynamic virtual channel, the client DVC manager SHOULD begin to send data on the same multitransport tunnel that the server indicated will be used in the Soft-Sync Request PDU.

The client DVC manager MUST NOT send the Soft-Sync Response PDU until it has received the Soft-Sync Request PDU and sent a successful Initiate Multitransport Response PDU ([MS-RDPBCGR] section 2.2.15.2) for each multitransport tunnel that will be used to send dynamic virtual channel data. Each multitransport tunnel that the client manager will use to send dynamic virtual channel data MUST be specified in the **TunnelsToSwitch** field.

The Soft-Sync Response PDU MUST be sent over the DRDYNVC static virtual channel on the main RDP connection. Immediately after sending this PDU, for each dynamic virtual channel, the client DVC manager MUST consistently use either a multitransport tunnel or the DRDYNVC static virtual channel on the main RDP connection to send data.

### 3.2.6 Timer Events

There are no client timer events.

### 3.2.7 Other Local Events

There are no other local events used by the client.

## 3.3 Server Details

### 3.3.1 Abstract Data Model

The abstract data model is specified in section 3.1.1.

### 3.3.2 Timers

The DVC server manager sets a timer when it is initializing a DVC. The timer is set to expire 10 seconds after the server sends a Capabilities Request to the DVC client manager. The server sends either a DYNVC\_CAPS\_VERSION1 (section 2.2.1.1.1), a DYNVC\_CAPS\_VERSION2 (section 2.2.1.1.2), or a DYNVC\_CAPS\_VERSION3 (section 2.2.1.1.3) PDU, depending on the protocol version level it supports. If the client does not respond to the Capabilities Request within 10 seconds, the server fails the creation of the DVC.

### 3.3.3 Initialization

Before protocol operation can commence, the static virtual channel **MUST** be established using the parameters specified in section 2.1.

#### 3.3.3.1 DVC Server Manager Initialization

The DVC managers on the TS server and the TS client initialize themselves by exchanging Capabilities PDUs to negotiate the version level of the Remote Desktop Protocol: Dynamic Virtual Channel Extension that is supported. Three different Capabilities PDUs are used to negotiate version level support:

- DYNVC\_CAPS\_VERSION1 (section 2.2.1.1.1) PDU is sent by a server to indicate it supports version 1 of this protocol.
- DYNVC\_CAPS\_VERSION2 (section 2.2.1.1.2) PDU is sent by a server to indicate it supports version 2 of this protocol.
- DYNVC\_CAPS\_VERSION3 (section 2.2.1.1.3) PDU is sent by a server to indicate it supports version 3 of this protocol.
- DYNVC\_CAPS\_RSP (section 2.2.1.2) PDU is sent by a client to acknowledge the version level it supports.

A Capabilities PDU has the **Cmd** field set to 0x05.

Immediately following the establishment of a static virtual channel session, as specified in [MS-RDPBCGR], the DVC server manager begins the initialization sequence. The DVC server manager sets a 10-second timer and sends a DYNVC\_CAPS\_VERSION1 (section 2.2.1.1.1), a DYNVC\_CAPS\_VERSION2 (section 2.2.1.1.2), or a DYNVC\_CAPS\_VERSION3 (section 2.2.1.1.3) PDU to the DVC client manager to indicate its highest version level supported. The DVC client manager **MUST** respond with a DYNVC\_CAPS\_RSP (section 2.2.1.2) PDU indicating the highest version level supported by the client. If the client does not respond to a Capabilities Request PDU before the 10-second timer expires, the server fails the creation of the DVC.

The DVC server manager **MUST** adjust to the version level supported by the DVC client manager.

##### 3.3.3.1.1 Version Level 1 (DYNVC\_CAPS\_VERSION1)

A DYNVC\_CAPS\_VERSION1 (section 2.2.1.1.1) PDU is sent to indicate that the highest protocol version level that the DVC server manager supports is version level 1. For PDU initialization see section Version Level 1 (DYNVC\_CAPS\_VERSION1) (section 3.2.3.1.1).

##### 3.3.3.1.2 Version Level 2 (DYNVC\_CAPS\_VERSION2)

A DYNVC\_CAPS\_VERSION2 (section 2.2.1.1.2) PDU is sent to indicate that the highest protocol version level the DVC server manager supports is version level 2. For PDU initialization see section Version Level 2 (DYNVC\_CAPS\_VERSION2) (section 3.2.3.1.2).



### 3.3.3.1.3 Version Level 3 (DYNVC\_CAPS\_VERSION3)

A DYNVC\_CAPS\_VERSION3 (section 2.2.1.1.3) PDU is sent to indicate that the highest protocol version level the DVC server manager supports is version level 3. For PDU initialization, see Version Level 3 (DYNVC\_CAPS\_VERSION3) (section 3.2.3.1.3).

### 3.3.3.1.4 Capabilities Response (DYNVC\_CAPS\_RSP)

The DYNVC\_CAPS\_RSP (section 2.2.1.2) PDU is sent by the DVC client manager to indicate the protocol version level it supports.

The version level supported is indicated by the value of the **Version** field. If the client doesn't respond with a Capabilities Response packet within 10 seconds, the server MUST NOT make any further attempts to send a DVC Create Request packet.

### 3.3.3.2 DVC Initialization

A DVC server manager initializes a channel by exchanging Create PDUs with a DVC client manager.

Two different Create PDUs are used to open a channel:

- DYNVC\_CREATE\_REQ (section 2.2.2.1)
- DYNVC\_CREATE\_RSP (section 2.2.2.2)

A DVC server manager creates a channel in response to a request by an application running on the TS server to create a channel to a listener running on the TS client. The server creates a channel for the requesting application using a listener name. The server sends the **ChannelId** and the listener name to the DVC client manager. A version 2 server also sends the channel priority to the DVC client manager. The server maintains this **ChannelId** for the life of the channel.

The DVC client manager responds to the DVC server manager with a DYNVC\_CREATE\_RSP (section 2.2.2.2) PDU indicating the channel creation status. Any positive or zero value indicates success. A negative value indicates failure.

On failure, the server DVC manager MAY send a DYNVC\_CLOSE (section 2.2.4) PDU for the failed channel. The listener name is only used at channel initialization. After the channel is initialized, all data is sent referencing the **ChannelId**.

The Channel ID MUST be unique within a static virtual channel session. The server DVC manager SHOULD reuse a Channel ID if the channel creation failed, or if the channel has been closed.

There is no processing specified by the Remote Desktop Protocol: Dynamic Virtual Channel Extension for a priority class.

### 3.3.4 Higher-Layer Triggered Events

- Static virtual channel created: Immediately upon creation of a static virtual channel, as specified in [MS-RDPBCGR], the DVC server manager begins the initialization sequence.
- Channel creation request: Sent by an application to the DVC server manager requesting the creation of a DVC with a listener running on a TS client.
- Channel close request: Sent by an application to the DVC server manager requesting the closure of a DVC.
- Send-Data request: A data message (or message) passed to the DVC server manager for sending data over a DVC.

## 3.3.5 Message Processing Events and Sequencing Rules

### 3.3.5.1 Sending and Receiving Data

Sending and receiving messages is symmetrical between the DVC server manager and the DVC client manager. After the server creates a DVC, applications running on either the server or the client can initiate sending a message. The PDUs and the sending sequence are the same regardless of who initiates sending the message. The sending and receiving of data is specified in section 3.1.5.

### 3.3.5.2 Closing a DVC (DYNVC\_CLOSE)

The closure of a channel can be requested by either an application running on the TS server or a listener running on the TS client. A DYNVC\_CLOSE (section 2.2.4) PDU is used for both a close request and a close response.

The DVC server manager sends a DYNVC\_CLOSE (section 2.2.4) PDU (specifying the **ChannelId** to close) to the DVC client manager. The client replies with a DYNVC\_CLOSE (section 2.2.4) PDU.

When a DVC client manager initiates a channel-close, it sends an unsolicited DYNVC\_CLOSE (section 2.2.4) PDU specifying the **ChannelId** to the server. The server does not respond to the DYNVC\_CLOSE (section 2.2.4) PDU.

Upon closing the channel, the DVC server manager MAY reuse the **ChannelId** in the next DVC Create Request PDU (section 2.2.2.1).

### 3.3.5.3 Soft-Sync

#### 3.3.5.3.1 Sending the Soft-Sync Request PDU

The structure and fields of the Soft-Sync Request PDU are specified in section 2.2.5.1, and the PDU MUST be initialized according to this specification. The server manager MUST NOT send this PDU until it has received a successful Initiate Multitransport Response PDU ([MS-RDPBCGR] section 2.2.15.2) for each multitransport tunnel that the server manager will use to send dynamic virtual channel data.

The server manager MUST include a Soft-Sync Channel List in the **SoftSyncChannelLists** field for each multitransport tunnel that will be used to send dynamic virtual channel data, with the **TunnelType** field set to the ID of the specified multitransport tunnel and the **ListOfDVCIds** field set to contain the channel ID of each dynamic virtual channel for which the server manager will send data using the specified multitransport tunnel. The **Flags** field MUST contain the SOFT\_SYNC\_TCP\_FLUSHED (0x01) flag (indicating that the server will send no more data for the specified DVCs over the main RDP connection) and MUST also specify the SOFT\_SYNC\_CHANNEL\_LIST\_PRESENT (0x02) flag if the **SoftSyncChannelLists** field contains one or more Soft-Sync Channel List (section 2.2.5.1.1) structures.

The Soft-Sync Request PDU MUST be sent over the DRDYNVC static virtual channel on the main RDP connection. Immediately after sending this PDU, for each dynamic virtual channel, the server manager MUST consistently use either a multitransport tunnel or the DRDYNVC static virtual channel on the main RDP connection to send data.

#### 3.3.5.3.2 Processing the Soft-Sync Response PDU

The structure and fields of the Soft-Sync Response PDU are specified in section 2.2.5. The receipt of this PDU indicates to the server DVC manager that the client DVC manager is now sending data for some or all dynamic virtual channels on a multitransport tunnel. If Soft-Sync is supported by the server and client, then, in order to ensure that no data is received out of order, the server DVC manager MUST NOT begin to read dynamic virtual channel data on any multitransport tunnel until after the Soft-Sync Response PDU has been received.

### **3.3.6 Timer Events**

There are no timer events used by the Remote Desktop Protocol: Dynamic Virtual Channel Extension.

### **3.3.7 Other Local Events**

There are no other local events.

## 4 Protocol Examples

The following sections describe several operations as used in common scenarios to illustrate the function of the Remote Desktop Protocol: Dynamic Virtual Channel Extension Specification.

### 4.1 Annotated Initializing DVCs

#### 4.1.1 DVC Capabilities Request (Version2) PDU

The following is an annotated sample of the DYNVC\_CAPS\_VERSION2 PDU (section 2.2.1.1.2).

```
00000000 58 00 02 00 33 33 11 11 3d 0a a7 04          X...33..=...
58 -> Header bitmask fields
0 - --\
1 -   | DYNVC_CAPS_VERSION2::Cmd = Capabilities (5)
0 -   |
1 - --/
1 - --\ DYNVC_CAPS_VERSION2::Sp = 2
0 - --/
0 - --\ DYNVC_CAPS_VERSION2::cbChId = 0
0 - --/
00 -> Pad
02 00 -> DYNVC_CAPS_VERSION2::Version = 0x0002 = 2
33 33 -> DYNVC_CAPS_VERSION2::PriorityCharge0 = 0x3333 = 13107 (~5%)
11 11 -> DYNVC_CAPS_VERSION2::PriorityCharge1 = 0x1111 = 4369 (~15%)
3d 0a -> DYNVC_CAPS_VERSION2::PriorityCharge2 = 0x0a3d = 2621 (~25%)
a7 04 -> DYNVC_CAPS_VERSION2::PriorityCharge3 = 0x04a7 = 1191 (~55%)
```

#### 4.1.2 DVC Capabilities Response PDU

The following is an annotated sample of the DYNVC\_CAPS\_RSP PDU (section 2.2.1.2).

```
00000000 50 00 02 00
50 -> Header bitmask fields
0 - --\
1 -   | DYNVC_CAPS_RSP::Cmd = Capabilities (5)
0 -   |
1 - --/
0 - --\ DYNVC_CAPS_RSP::Sp = 0
0 - --/
0 - --\ DYNVC_CAPS_RSP::cbChId = 0
0 - --/
00 -> Pad
02 00 -> DYNVC_CAPS_RSP::Version = 0x0002 = 2
```

## 4.2 Annotated Opening a DVC

### 4.2.1 DVC Create Request PDU

The following is an annotated sample of the DYNVC\_CREATE\_REQ PDU (section 2.2.2.1).

```
00000000 10 03 74 65 73 74 64 76 63 00          ..testdvc.

10 -> Header bitmask fields

0 - --\
0 - | DYNVC_CREATE_REQ::Cmd = Create (1)
0 - |
1 - --/
0 - --\ DYNVC_CREATE_REQ::Pri = 0
0 - --/
0 - --\ DYNVC_CREATE_REQ::cbChId = 0
0 - --/

03 -> DYNVC_CREATE_REQ::ChannelId

74 65 73 74 64 76 63 00 -> DYNVC_CREATE_REQ::ChannelName = "testdvc" (null-terminated
character string)
```

### 4.2.2 DVC Create Response PDU

The following is an annotated sample of the DYNVC\_CREATE\_RSP PDU (section 2.2.2.2).

```
00000000 10 03 00 00 00 00          .....

10 -> Header bitmask fields

0 - --\
0 - | DYNVC_CREATE_RSP::Cmd = Create (1)
0 - |
1 - --/
0 - --\ DYNVC_CREATE_RSP::Sp = 0
0 - --/
0 - --\ DYNVC_CREATE_RSP::cbChId = 0
0 - --/

03 -> DYNVC_CREATE_RSP::ChannelId

00 00 00 00 -> DYNVC_CREATE_RSP::CreationStatus = 0x00000000
```

## 4.3 Annotated Sending and Receiving Data

### 4.3.1 DVC Data First PDU

The following is an annotated sample of the DYNVC\_DATA\_FIRST PDU (section 2.2.3.1).

```
00000000 24 03 7b 0c 71 71 71 71 71 71 71 71 71 71 71 71 $. { .qqqqqqqqqqqqqq
00000010 71 71 71 71 71 71 71 71 71 71 71 71 71 71 71 qqqqqqqqqqqqqqqqqqqqqq
00000020 71 71 71 71 71 71 71 71 71 71 71 71 71 71 71 qqqqqqqqqqqqqqqqqqqqqq
00000030 71 71 71 71 71 71 71 71 71 71 71 71 71 71 71 qqqqqqqqqqqqqqqqqqqqqq
00000040 71 71 71 71 71 71 71 71 71 71 71 71 71 71 71 qqqqqqqqqqqqqqqqqqqqqq
00000050 71 71 71 71 71 71 71 71 71 71 71 71 71 71 71 qqqqqqqqqqqqqqqqqqqqqq
00000060 71 71 71 71 71 71 71 71 71 71 71 71 71 71 71 qqqqqqqqqqqqqqqqqqqqqq
00000070 71 71 71 71 71 71 71 71 71 71 71 71 71 71 71 qqqqqqqqqqqqqqqqqqqqqq
```









```

000005d0 71 71 71 71 71 71 71 71 71 71 71 71 71 71 71 71 qqqqqqqqqqqqqqqqqq
000005e0 71 71 71 71 71 71 71 71 71 71 71 71 71 71 71 71 qqqqqqqqqqqqqqqqqq
000005f0 71 71 71 71 71 71 71 71 71 71 71 71 71 71 71 71 qqqqqqqqqqqqqqqqqq
00000600 71 71 71 71 71 71 71 71 71 71 71 71 71 71 71 71 qqqqqqqqqqqqqqqqqq
00000610 71 71 71 71 71 71 71 71 71 71 71 71 71 71 71 71 qqqqqqqqqqqqqqqqqq
00000620 71 71 71 71 71 71 71 71 71 71 71 71 71 71 71 71 qqqqqqqqqqqqqqqqqq
00000630 71 71 71 71 71 71 71 71 71 71 71 71 71 71 71 71 qqqqqqqqqqqqqqqqqq

```

34 -> Header bitmask fields

```

0 - --\
0 -   | DYNVC_DATA::Cmd = Data (3)
1 -   |
1 - --/
0 - --\ DYNVC_DATA::Sp = 1
1 - --/
0 - --\ DYNVC_DATA::cbChId = 0
0 - --/

```

03 -> DYNVC\_DATA::ChannelId = 0x3

71 .... 71 -> DYNVC\_DATA::Data = (1600 - 2) bytes of actual payload

The last packet in the sequence for the remaining data: DYNVC\_DATA PDU (section 2.2.3.2).

```
00000000 34 03 71
```

34 -> Header bitmask fields

```

0 - --\
0 -   | DYNVC_DATA::Cmd = Data (3)
1 -   |
1 - --/
0 - --\ DYNVC_DATA::Sp = 1
1 - --/
0 - --\ DYNVC_DATA::cbChId = 0
0 - --/

```

03 -> DYNVC\_DATA::ChannelId = 0x3

71 -> DYNVC\_DATA::Data = (3 - 2) bytes of actual payload.

## 4.4 Annotated Closing a DVC

### 4.4.1 DVC Close PDU

The following is an annotated sample of the DYNVC\_CLOSE PDU (section 2.2.4).

```
00000000 40 03
```

```
@.
```

40 -> Header bitmask fields

```

0 - --\
1 -   | DYNVC_CLOSE::Cmd = Close (4)
0 -   |
0 - --/
0 - --\ DYNVC_CLOSE::Sp = 0
0 - --/
0 - --\ DYNVC_CLOSE::cbChId = 0
0 - --/

```

03 -> DYNVC\_CLOSE::ChannelId = 0x3

## 5 Security

The following sections specify security considerations for implementers of the Remote Desktop Protocol: Dynamic Virtual Channel Extension.

### 5.1 Security Considerations for Implementers

There are no security considerations for Remote Desktop Protocol: Dynamic Virtual Channel Extension messages because all static virtual channel traffic is secured by the underlying RDP core protocol. For an overview of the implemented security-related mechanisms, see [MS-RDPBCGR] section 5.

### 5.2 Index of Security Parameters

There are no security parameters in the Remote Desktop Protocol: Dynamic Virtual Channel Extension.

## 6 Appendix A: Product Behavior

The information in this specification is applicable to the following Microsoft products or supplemental software. References to product versions include released service packs.

- Windows Vista operating system
- Windows Server 2008 operating system
- Windows 7 operating system
- Windows Server 2008 R2 operating system
- Windows 8 operating system
- Windows Server 2012 operating system
- Windows 8.1 operating system
- Windows Server 2012 R2 operating system
- Windows 10 operating system
- Windows Server 2016 operating system

Exceptions, if any, are noted below. If a service pack or Quick Fix Engineering (QFE) number appears with the product version, behavior changed in that service pack or QFE. The new behavior also applies to subsequent service packs of the product unless otherwise specified. If a product edition appears with the product version, behavior is different in that product edition.

Unless otherwise specified, any statement of optional behavior in this specification that is prescribed using the terms "SHOULD" or "SHOULD NOT" implies product behavior in accordance with the SHOULD or SHOULD NOT prescription. Unless otherwise specified, the term "MAY" implies that the product does not follow the prescription.

<1> Section 2.2.1.1.1: The DYNVC\_CAPS\_VERSION1 PDU is supported only in Windows Vista.

<2> Section 2.2.1.1.1: Windows implementations initialize **Sp** to 0x02.

<3> Section 2.2.1.1.2: The DYNVC\_CAPS\_VERSION2 PDU is supported in Windows Vista operating system with Service Pack 1 (SP1), Windows Server 2008, Windows 7, and Windows Server 2008 R2.

<4> Section 2.2.1.1.2: Windows implementations initialize Sp to 0x02.

<5> Section 2.2.1.1.3: The DYNVC\_CAPS\_VERSION3 PDU is not supported in Windows Vista, Windows Server 2008, Windows 7, and Windows Server 2008 R2.

<6> Section 2.2.1.1.3: Windows implementations initialize Sp to 0x02.

<7> Section 2.2.3.2: Windows implementations do not initialize this field. As a result, its value is random.

<8> Section 3.1.5.3: Soft-Sync is not supported by the following operating systems: Windows Vista, Windows Server 2008, Windows 7, Windows Server 2008 R2, Windows 8, and Windows Server 2012.

<9> Section 3.1.5.4.4: Windows implementations do not prepend the Channel PDU Header to tunneled static VC data, but the CHANNEL\_FLAG\_FIRST flag, CHANNEL\_FLAG\_LAST flag, and message length are passed to application endpoints.

<10> Section 3.3.3.2: A DYNVC\_CLOSE PDU is sent for channels that failed to be created in Windows Vista operating system, Windows Server 2008 operating system with Service Pack 2 (SP2), Windows 7

operating system, Windows Server 2008 R2 operating system, Windows 8 operating system, and Windows Server 2012 operating system.

## 7 Change Tracking

~~No table of This section identifies changes is available. The that were made to this document is either new or has had no changes since its the last release. Changes are classified as Major, Minor, or None.~~

The revision class **Major** means that the technical content in the document was significantly revised. Major changes affect protocol interoperability or implementation. Examples of major changes are:

- A document revision that incorporates changes to interoperability requirements.
- A document revision that captures changes to protocol functionality.

The revision class **Minor** means that the meaning of the technical content was clarified. Minor changes do not affect protocol interoperability or implementation. Examples of minor changes are updates to clarify ambiguity at the sentence, paragraph, or table level.

The revision class **None** means that no new technical changes were introduced. Minor editorial and formatting changes may have been made, but the relevant technical content is identical to the last released version.

The changes made to this document are listed in the following table. For more information, please contact [dochelp@microsoft.com](mailto:dochelp@microsoft.com).

<b>Section</b>	<b>Description</b>	<b>Revision class</b>
<u>1.7 Versioning and Capability Negotiation</u>	<u>6890 : Clarified that there are three versions of the Remote Desktop Protocol: Dynamic Channel Virtual Channel Extension.</u>	<u>minor</u>
<u>2.2.5.1 Soft-Sync Request PDU (DYNVC_SOFT_SYNC_REQUEST)</u>	<u>6890 : Added Length, Flags, and NumberOfTunnels fields to the Length definition.</u>	<u>major</u>

## 8 Index

### A

- Abstract data model
  - client (section 3.1.1 30, section 3.2.1 36)
  - server (section 3.1.1 30, section 3.3.1 39)
- Annotated closing DVC 49
- Annotated initializing DVC 44
- Annotated opening DVC 45
- Annotated sending and receiving data 45
- Applicability 13

### C

- Capability negotiation 13
- Change tracking 53
- Client (section 3.1 29, section 3.2 36)
  - abstract data model (section 3.1.1 30, section 3.2.1 36)
  - higher-layer triggered events (section 3.1.4 31, section 3.2.4 38)
  - initialization (section 3.1.3 31, section 3.2.3 37)
  - message processing (section 3.1.5 31, section 3.2.5 38)
  - other local events 39
  - overview 29
  - sequencing rules (section 3.1.5 31, section 3.2.5 38)
  - timer events (section 3.1.6 36, section 3.2.6 39)
  - timers (section 3.1.2 31, section 3.2.2 36)
- Closing a DVC (DYNVC\_CLOSE) message 26

### D

- Data
  - receiving (section 1.3.3.2 11, section 1.3.3.2.2 12, section 2.2.3 21, section 3.1.5.2 32, section 3.2.5.1 38, section 3.3.5.1 42)
  - sending (section 1.3.3.2 11, section 1.3.3.2.1 12, section 2.2.3 21, section 3.1.5.1 32, section 3.2.5.1 38, section 3.3.5.1 42)
- Data model - abstract
  - client (section 3.1.1 30, section 3.2.1 36)
  - server (section 3.1.1 30, section 3.3.1 39)
- DRDYNVC Static Virtual Channel 9
- DVC
  - capabilities request 17
  - capabilities response 19
  - client manager initialization 37
  - closing (section 1.3.3.3 13, section 2.2.4 26)
  - create request 20
  - create response 21
  - initialization (section 3.2.3.2 38, section 3.3.3.2 41)
  - initializing 16
  - message flow 10
  - message flow - receiving data (section 1.3.3.2 11, section 1.3.3.2.2 12)
  - message flow - sending data (section 1.3.3.2 11, section 1.3.3.2.1 12)
  - opening 20
  - server manager initialization 40
  - setup 9
- DVC traffic 9
- DYNVC\_CAPS\_RSP packet 19
- DYNVC\_CAPS\_VERSION1 packet 17
- DYNVC\_CAPS\_VERSION2 packet 17
- DYNVC\_CAPS\_VERSION3 packet 19
- DYNVC\_CLOSE packet 26
- DYNVC\_CREATE\_REQ packet 20
- DYNVC\_CREATE\_RSP packet 21

DYNVC\_DATA packet 23  
DYNVC\_DATA\_FIRST packet 22

## **E**

encapsulation  
  DRDYNVC Static Virtual Channel 9

### Examples

  annotated closing DVC 49  
  annotated initializing DVC 44  
  annotated opening DVC 45  
  annotated sending and receiving data 45  
  overview 44

## **F**

Fields - vendor-extensible 14

## **G**

Glossary 7

## **H**

Higher-layer triggered events  
  client (section 3.1.4 31, section 3.2.4 38)  
  server (section 3.1.4 31, section 3.3.4 41)

## **I**

Implementer - security considerations 50  
Index of security parameters 50  
Informative references 8  
Initialization  
  client (section 3.1.3 31, section 3.2.3 37)  
  server (section 3.1.3 31, section 3.3.3 40)  
Initializing DVCs message 16  
Introduction 7

## **M**

Message flow  
  DVC 10  
  DVC - receiving data (section 1.3.3.2 11, section 1.3.3.2.2 12)  
  DVC - sending data (section 1.3.3.2 11, section 1.3.3.2.1 12)  
Message processing  
  client (section 3.1.5 31, section 3.2.5 38)  
  server (section 3.1.5 31, section 3.3.5 42)  
Message\_Syntax packet 15  
Messages  
  Closing a DVC (DYNVC\_CLOSE) 26  
  Initializing DVCs 16  
  Opening a DVC 20  
  overview 15  
  Sending and Receiving Data 21  
  Soft-Sync 26  
  syntax 15  
  transport 15

## **N**

Normative references 8

## **O**

- Opening a DVC message 20
- Other local events
  - client 39
  - server 43
- Overview 8
- Overview (synopsis) 8

## **P**

- Parameters - security index 50
- Preconditions 13
- Prerequisites 13
- Product behavior 51
- Protocol Details
  - overview 29

## **R**

- References 8
  - informative 8
  - normative 8
- Relationship to other protocols 13

## **S**

- Security
  - implementer considerations 50
  - overview 50
  - parameter index 50
- Sending and Receiving Data message 21
- Sequencing rules
  - client (section 3.1.5 31, section 3.2.5 38)
  - server (section 3.1.5 31, section 3.3.5 42)
- Server (section 3.1 29, section 3.3 39)
  - abstract data model (section 3.1.1 30, section 3.3.1 39)
  - higher-layer triggered events (section 3.1.4 31, section 3.3.4 41)
  - initialization (section 3.1.3 31, section 3.3.3 40)
  - message processing (section 3.1.5 31, section 3.3.5 42)
  - other local events 43
  - overview 29
  - sequencing rules (section 3.1.5 31, section 3.3.5 42)
  - timer events (section 3.1.6 36, section 3.3.6 43)
  - timers (section 3.1.2 31, section 3.3.2 40)
- Set up
  - DVC 9
- Soft-Sync message 26
- Standards assignments 14
- Syntax - message 15

## **T**

- Timer events
  - client (section 3.1.6 36, section 3.2.6 39)
  - server (section 3.1.6 36, section 3.3.6 43)
- Timers
  - client (section 3.1.2 31, section 3.2.2 36)
  - server (section 3.1.2 31, section 3.3.2 40)
- Tracking changes 53
- Transport 15
- Transport - message 15
- Triggered events - higher-layer
  - client (section 3.1.4 31, section 3.2.4 38)
  - server (section 3.1.4 31, section 3.3.4 41)



## **V**

Vendor-extensible fields 14  
Versioning 13