

[MS-NRTP-Diff]:

.NET Remoting: Core Protocol

Intellectual Property Rights Notice for Open Specifications Documentation

- **Technical Documentation.** Microsoft publishes Open Specifications documentation (“this documentation”) for protocols, file formats, data portability, computer languages, and standards support. Additionally, overview documents cover inter-protocol relationships and interactions.
- **Copyrights.** This documentation is covered by Microsoft copyrights. Regardless of any other terms that are contained in the terms of use for the Microsoft website that hosts this documentation, you can make copies of it in order to develop implementations of the technologies that are described in this documentation and can distribute portions of it in your implementations that use these technologies or in your documentation as necessary to properly document the implementation. You can also distribute in your implementation, with or without modification, any schemas, IDLs, or code samples that are included in the documentation. This permission also applies to any documents that are referenced in the Open Specifications documentation.
- **No Trade Secrets.** Microsoft does not claim any trade secret rights in this documentation.
- **Patents.** Microsoft has patents that might cover your implementations of the technologies described in the Open Specifications documentation. Neither this notice nor Microsoft's delivery of this documentation grants any licenses under those patents or any other Microsoft patents. However, a given Open Specifications document might be covered by the Microsoft [Open Specifications Promise](#) or the [Microsoft Community Promise](#). If you would prefer a written license, or if the technologies described in this documentation are not covered by the Open Specifications Promise or Community Promise, as applicable, patent licenses are available by contacting iplg@microsoft.com.
- **License Programs.** To see all of the protocols in scope under a specific license program and the associated patents, visit the [Patent Map](#).
- **Trademarks.** The names of companies and products contained in this documentation might be covered by trademarks or similar intellectual property rights. This notice does not grant any licenses under those rights. For a list of Microsoft trademarks, visit www.microsoft.com/trademarks.
- **Fictitious Names.** The example companies, organizations, products, domain names, email addresses, logos, people, places, and events that are depicted in this documentation are fictitious. No association with any real company, organization, product, domain name, email address, logo, person, place, or event is intended or should be inferred.

Reservation of Rights. All other rights are reserved, and this notice does not grant any rights other than as specifically described above, whether by implication, estoppel, or otherwise.

Tools. The Open Specifications documentation does not require the use of Microsoft programming tools or programming environments in order for you to develop an implementation. If you have access to Microsoft programming tools and environments, you are free to take advantage of them. Certain Open Specifications documents are intended for use in conjunction with publicly available standards specifications and network programming art and, as such, assume that the reader either is familiar with the aforementioned material or has immediate access to it.

Support. For questions and support, please contact dochelp@microsoft.com.

Revision Summary

Date	Revision History	Revision Class	Comments
7/20/2007	0.1	Major	MCPP Milestone 5 Initial Availability
9/28/2007	1.0	Major	Updated and revised the technical content.
10/23/2007	1.0.1	Editorial	Changed language and formatting in the technical content.
11/30/2007	2.0	Major	Added and updated sections.
1/25/2008	2.0.1	Editorial	Changed language and formatting in the technical content.
3/14/2008	2.0.2	Editorial	Changed language and formatting in the technical content.
5/16/2008	2.0.3	Editorial	Changed language and formatting in the technical content.
6/20/2008	3.0	Major	Updated and revised the technical content.
7/25/2008	4.0	Major	Updated and revised the technical content.
8/29/2008	4.1	Minor	Clarified the meaning of the technical content.
10/24/2008	5.0	Major	Updated and revised the technical content.
12/5/2008	5.1	Minor	Clarified the meaning of the technical content.
1/16/2009	6.0	Major	Updated and revised the technical content.
2/27/2009	6.1	Minor	Clarified the meaning of the technical content.
4/10/2009	6.1.1	Editorial	Changed language and formatting in the technical content.
5/22/2009	6.1.2	Editorial	Changed language and formatting in the technical content.
7/2/2009	6.1.3	Editorial	Changed language and formatting in the technical content.
8/14/2009	6.1.4	Editorial	Changed language and formatting in the technical content.
9/25/2009	6.2	Minor	Clarified the meaning of the technical content.
11/6/2009	6.2.1	Editorial	Changed language and formatting in the technical content.
12/18/2009	6.3	Minor	Clarified the meaning of the technical content.
1/29/2010	6.4	Minor	Clarified the meaning of the technical content.
3/12/2010	7.0	Major	Updated and revised the technical content.
4/23/2010	8.0	Major	Updated and revised the technical content.
6/4/2010	8.0.1	Editorial	Changed language and formatting in the technical content.
7/16/2010	9.0	Major	Updated and revised the technical content.
8/27/2010	9.0	None	No changes to the meaning, language, or formatting of the technical content.
10/8/2010	9.0	None	No changes to the meaning, language, or formatting of the technical content.
11/19/2010	9.0	None	No changes to the meaning, language, or formatting of the

Date	Revision History	Revision Class	Comments
			technical content.
1/7/2011	10.0	Major	Updated and revised the technical content.
2/11/2011	10.0	None	No changes to the meaning, language, or formatting of the technical content.
3/25/2011	10.0	None	No changes to the meaning, language, or formatting of the technical content.
5/6/2011	10.0	None	No changes to the meaning, language, or formatting of the technical content.
6/17/2011	10.1	Minor	Clarified the meaning of the technical content.
9/23/2011	10.1	None	No changes to the meaning, language, or formatting of the technical content.
12/16/2011	11.0	Major	Updated and revised the technical content.
3/30/2012	11.0	None	No changes to the meaning, language, or formatting of the technical content.
7/12/2012	11.1	Minor	Clarified the meaning of the technical content.
10/25/2012	11.1	None	No changes to the meaning, language, or formatting of the technical content.
1/31/2013	11.1	None	No changes to the meaning, language, or formatting of the technical content.
8/8/2013	11.1	None	No changes to the meaning, language, or formatting of the technical content.
11/14/2013	11.1	None	No changes to the meaning, language, or formatting of the technical content.
2/13/2014	11.1	None	No changes to the meaning, language, or formatting of the technical content.
5/15/2014	11.1	None	No changes to the meaning, language, or formatting of the technical content.
6/30/2015	12.0	Major	Significantly changed the technical content.
10/16/2015	12.0	None	No changes to the meaning, language, or formatting of the technical content.
7/14/2016	12.0	None	No changes to the meaning, language, or formatting of the technical content.
3/16/2017	13.0	Major	Significantly changed the technical content.
<u>6/1/2017</u>	<u>13.0</u>	<u>None</u>	<u>No changes to the meaning, language, or formatting of the technical content.</u>

Table of Contents

1	Introduction	8
1.1	Glossary	8
1.2	References	13
1.2.1	Normative References	13
1.2.2	Informative References	14
1.3	Overview	14
1.3.1	Remote Method Invocation Model	15
1.3.2	Passing Server Objects	16
1.3.3	Server Object Instantiation and Binding	17
1.4	Relationship to Other Protocols	17
1.5	Prerequisites/Preconditions	18
1.6	Applicability Statement	19
1.7	Versioning and Capability Negotiation	19
1.8	Vendor-Extensible Fields	19
1.9	Standards Assignments.....	19
2	Messages.....	20
2.1	Transport.....	20
2.1.1	TCP Transport	20
2.1.1.1	Client Details.....	20
2.1.1.1.1	Sending Request	20
2.1.1.1.2	Receiving Reply.....	20
2.1.1.2	Server Details.....	21
2.1.1.2.1	Receiving Request	21
2.1.1.2.2	Sending Reply.....	21
2.1.2	HTTP Transport	22
2.1.2.1	Client Details.....	22
2.1.2.1.1	Sending Request	22
2.1.2.1.2	Receiving Reply.....	22
2.1.2.2	Server Details.....	23
2.1.2.2.1	Receiving Request	23
2.1.2.2.2	Sending Reply.....	23
2.1.3	SOAP Transport.....	23
2.1.3.1	SOAP on HTTP	24
2.1.3.1.1	Client Details	24
2.1.3.1.1.1	Sending Request.....	24
2.1.3.1.1.2	Receiving Reply	24
2.1.3.1.2	Server Details	24
2.1.3.1.2.1	Receiving Request.....	24
2.1.3.1.2.2	Sending Reply	24
2.1.3.2	SOAP on TCP.....	25
2.1.3.2.1	Client Details	25
2.1.3.2.1.1	Sending Request.....	25
2.1.3.2.1.2	Receiving Reply	25
2.1.3.2.2	Server Details	25
2.1.3.2.2.1	Receiving Request.....	25
2.1.3.2.2.2	Sending Reply	25
2.2	Message Syntax.....	25
2.2.1	Common Patterns	25
2.2.1.1	IdentifierName	26
2.2.1.2	RemotingTypeName	26
2.2.1.3	LibraryName	26
2.2.1.4	Method Signature.....	27
2.2.2	Common Types	27
2.2.2.1	ObjRef.....	27

2.2.2.2	TypeInfo	28
2.2.2.3	EnvoyInfo	28
2.2.2.4	ChannelInfo	29
2.2.2.5	ChannelDataStore	29
2.2.2.6	DictionaryEntry	29
2.2.2.7	System.Exception	30
2.2.2.8	SystemException	31
2.2.2.9	RemotingException	31
2.2.2.10	SerializationException	31
2.2.2.11	System.Type	31
2.2.2.12	UnitySerializationHolder	32
2.2.2.13	MemberInfoSerializationHolder	32
2.2.2.14	DelegateEntry	33
2.2.2.15	DelegateSerializationHolder	34
2.2.2.16	CallContextRemotingData	35
2.2.2.17	ServerFault	35
2.2.3	TCP Message Syntax	36
2.2.3.1	Common Enumerations	36
2.2.3.1.1	OperationType	36
2.2.3.1.2	ContentDistribution	36
2.2.3.1.3	HeaderToken	37
2.2.3.1.4	HeaderDataFormat	37
2.2.3.1.5	StringEncoding	37
2.2.3.1.6	TCPStatusCode	38
2.2.3.2	Common Types	38
2.2.3.2.1	CountedString	38
2.2.3.2.2	TcpUriString	38
2.2.3.2.3	ChunkDelimiter	39
2.2.3.3	Message Frame Structure	39
2.2.3.3.1	Single Message Content	39
2.2.3.3.2	Chunked Message Content	40
2.2.3.3.3	Frame Headers	42
2.2.3.3.3.1	EndHeader	42
2.2.3.3.3.2	CustomHeader	42
2.2.3.3.3.3	StatusCodeHeader	42
2.2.3.3.3.4	StatusPhraseHeader	43
2.2.3.3.3.5	RequestUriHeader	43
2.2.3.3.3.6	CloseConnectionHeader	44
2.2.3.3.3.7	ContentTypeHeader	44
2.2.3.3.3.8	UnknownHeader	44
2.2.4	SOAP Serialization Format	45
2.2.4.1	SOAP Action String	45
2.2.4.2	Remoting Type Name Encoding	45
2.2.4.3	Method Name Encoding	45
2.2.4.4	Method Signature SOAP Header	45
2.2.4.5	Call Context SOAP Header	46
2.2.5	.NET Remoting Description Notation	46
3	Protocol Details	49
3.1	Common Details	49
3.1.1	Abstract Data Model	49
3.1.2	Timers	53
3.1.3	Initialization	53
3.1.4	Higher-Layer Triggered Events	53
3.1.5	Message Processing Events and Sequencing Rules	54
3.1.5.1	Mapping to Binary Format	54
3.1.5.1.1	Mapping Remote Method Request	54
3.1.5.1.2	Mapping Remote Method Invocation Reply	55

3.1.5.1.3	Mapping Remote Field Get	56
3.1.5.1.4	Mapping Remote Field Set	56
3.1.5.1.5	Mapping Library Information	57
3.1.5.1.6	Mapping Class Instances	57
3.1.5.1.7	Mapping Array Instances	58
3.1.5.1.8	Mapping Primitive Values.....	58
3.1.5.1.9	Mapping Enum Values.....	58
3.1.5.1.10	Mapping Delegate.....	58
3.1.5.1.11	Mapping String Values	58
3.1.5.1.12	Mapping Null Object.....	58
3.1.5.2	Mapping Remoting Data Model to SOAP Format	59
3.1.5.2.1	Mapping Remote Method Invocation	59
3.1.5.2.2	Mapping Remote Method Invocation Reply.....	59
3.1.5.2.3	Mapping Remote Field Get	60
3.1.5.2.4	Mapping Remote Field Set	60
3.1.5.2.5	Mapping Class Instances	60
3.1.5.2.6	Mapping Array Instances	60
3.1.5.2.7	Mapping Primitive Values.....	60
3.1.5.2.8	Mapping Enum Values.....	60
3.1.5.2.9	Mapping Delegate.....	60
3.1.5.2.10	Mapping Null Object.....	60
3.1.5.2.11	Mapping Exception.....	61
3.1.5.3	Resolving Object Reference	61
3.1.6	Timer Events.....	61
3.1.7	Other Local Events.....	61
3.2	Server Details.....	61
3.2.1	Abstract Data Model.....	61
3.2.2	Timers	62
3.2.3	Initialization	62
3.2.4	Higher-Layer Triggered Events	62
3.2.4.1	Register SAO ServerType	62
3.2.4.2	Marshal Server Object	63
3.2.4.3	Unmarshal Server Object	63
3.2.5	Message Processing Events and Sequencing Rules	63
3.2.5.1	Receiving a Message	63
3.2.5.1.1	Process the Message Frame	63
3.2.5.1.2	Binding to Server Object	64
3.2.5.1.3	De-Serializing the Message Content	64
3.2.5.1.4	Dispatching the Call	64
3.2.5.1.5	Serializing the Reply	65
3.2.5.1.5.1	Serializing to Binary Serialization Format	65
3.2.5.1.5.2	Serializing to SOAP Serialization Format	65
3.2.5.1.5.3	Marshaling Server Objects and Proxy Instances	65
3.2.5.1.6	Sending Reply.....	66
3.2.5.1.7	Constructing Exception Messages	66
3.2.5.1.7.1	Constructing SerializationException	66
3.2.5.1.7.2	Constructing a Remoting Exception	66
3.2.6	Timer Events.....	67
3.2.7	Other Local Events.....	67
3.3	Client Details.....	67
3.3.1	Abstract Data Model.....	67
3.3.2	Timers	67
3.3.3	Initialization	67
3.3.4	Higher-Layer Triggered Events	67
3.3.4.1	Get SAO Proxy.....	67
3.3.4.1.1	Creating Proxy from Request URI and Server Type	67
3.3.4.2	Remote Method Invocation.....	68
3.3.4.2.1	Serializing the Request.....	68

3.3.4.2.1.1	Serializing to Binary Serialization Format	68
3.3.4.2.1.2	Serializing to SOAP Serialization Format	68
3.3.4.2.2	Sending the Request.....	69
3.3.4.2.3	Reading the Reply	69
3.3.4.2.4	De-Serializing the Response	69
3.3.4.2.5	Completing the Invocation.....	70
3.3.5	Message Processing Events and Sequencing Rules	70
3.3.6	Timer Events.....	70
3.3.7	Other Local Events.....	70
4	Protocol Examples	71
4.1	Two-Way Method Invocation Using TCP-Binary	71
4.2	Two-Way Method Invocation Using SOAP Over HTTP	76
4.3	Faults in SOAP Over HTTP	79
4.4	One-Way Method Invocation Using SOAP Over TCP	80
4.5	One-Way Method Invocation Using HTTP-Binary.....	81
5	Security	83
5.1	Security Considerations for Implementers	83
5.2	Index of Security Parameters	83
6	Appendix A: Product Behavior	84
7	Change Tracking.....	90
8	Index.....	91

1 Introduction

The .NET Remoting: Core Protocol Specification specifies a mechanism by which a calling program can invoke a method in a different address space over the network. Arguments are passed along as part of the invocation message and return values are sent in the response.

Sections 1.5, 1.8, 1.9, 2, and 3 of this specification are normative. All other sections and examples in this specification are informative.

1.1 Glossary

This document uses the following terms:

AppDomain: An isolated environment where .NET applications execute. AppDomains provide isolation, unloading, and security boundaries for executing .NET managed code. For more information see [MSDN-AppDomain].

argument: A named Data Value that is passed as part of a Remote Method invocation or returned as part of the results of a Remote Method invocation. For more information about Remote Method invocation, see [MS-NRTP] section 3.1.1.

array: A Remoting Type that is an ordered collection of values. The values are identified by their position and position is determined by a set of integer indices. The number of indices required to represent the position is called the Rank of the Array. An Array is part of the Remoting Data Model and also specifies the Remoting Type of its items. For more information, [MS-NRTP] section 3.1.1.

Assignable: A reference to the ability of a Data Value to be assigned to a Remoting Type. This ability is determined by a set of rules described in the Abstract Data Model (section 3.1.1) under Data Values.

authentication: The ability of one entity to determine the identity of another entity.

base64 encoding: A binary-to-text encoding scheme whereby an arbitrary sequence of bytes is converted to a sequence of printable ASCII characters, as described in [RFC4648].

binary format identifier: A string that is contained in the message frame. The binary format identifier identifies the serialization format of the message content as specified in [MS-NRBF]. Its value is 'application/octet-stream'.

Call Context: A mechanism to pass data that is not part of the method Arguments between client and server. It is a collection of name-value pairs that is carried with the execution of a Remote Method. This collection is sent along with other method Arguments from client to server, and is transmitted back, along with the Return Values and output Arguments, from the server to the client. For more information, see [MS-NRTP] section 1.3.

certificate: A certificate is a collection of attributes (~~±~~) and extensions that can be stored persistently. The set of attributes in a certificate can vary depending on the intended usage of the certificate. A certificate securely binds a public key to the entity that holds the corresponding private key. A certificate is commonly used for authentication and secure exchange of information on open networks, such as the Internet, extranets, and intranets. Certificates are digitally signed by the issuing certification authority (CA) and can be issued for a user, a computer, or a service. The most widely accepted format for certificates is defined by the ITU-T X.509 version 3 international standards. For more information about attributes and extensions, see [RFC3280] and [X509] sections 7 and 8.

channel: An entry point through which a server gets connection requests from a client. A Channel contains information about the chosen transport (for example, TCP) and supports one or more

formats (for example, binary or SOAP). A server can host one or more Channels. For more information, see [MS-NRTP] section 3.2.3.

Channel URI: The part of the Request URI that contains the URI scheme, the host name, and an optional port number for a Channel. For TCP, the Channel URI has the form `tcp://hostname:port`. For HTTP, the Channel URI has the form `http://hostname[:port]`. For more information, see [RFC3986].

chunked encoding: A transport-specific encoding of message content that breaks the content up into a series of octet segments. This allows dynamically produced content to be transferred, along with the information necessary for the recipient to verify that it has received the full message. For more information on HTTP chunking, see HTTP Transport (section 2.1.2). For more information on TCP chunking, see TCP Transport (section 2.1.1).

class: A Remoting Type that encapsulates a set of named values and a set of methods that operate on those values. The named values are called Members of the Class. A Class is part of the Remoting Data Model. For more information, see [MS-NRTP] section 3.1.1.

credential: Previously established, authentication data that is used by a security principal to establish its own identity. When used in reference to the Netlogon Protocol, it is the data that is stored in the NETLOGON_CREDENTIAL structure.

data value: An instance of a Remoting Type, which may be a Class, Array, Enum, or Primitive. A Data Value is part of the Remoting Data Model. For more information, see [MS-NRTP] section 3.1.1.

delegate: A user or resource that has permissions to act on behalf of another user or resource.

deserialize: See `unmarshal(-1)-`.

digest: The fixed-length output string from a one-way hash function that takes a variable-length input string and is probabilistically unique for every different input string. Also, a cryptographic checksum of a data (octet) stream.

Digest Access Authentication: A mechanism built on top of HTTP that allows a client program to provide credentials without having to send a user name and password in plaintext when making a request. For more information, see [RFC2617].

Enum: A Primitive type whose members are constrained to a set of values. The Primitive type is considered to be an underlying Remoting Type of the Enum. Each value has a name associated with it. An Enum is part of the Remoting Data Model, and an abbreviation for "enumeration." For more information, see [MS-NRTP] section 3.1.1.

Envoy Sink Information: A Data Value associated with a Server Object or Server Type. When a Server Object reference to an associated Server Object or Server Type is transmitted to a client, the Envoy Sink Information is sent as well. The Envoy Sink Information contents are undefined, and can be used by application authors to send arbitrary data. For more information, see the example in Protocol Overview (section 1.3).

Exception: A Class that indicates an error in the execution of a Remote Method. It is sent as part of the return message from a server to a client. An Exception contains a human-readable message that indicates what the error is, and can also have additional data to identify the error. An Exception is part of the Remoting Data Model. For more information, see [MS-NRTP] section 3.1.1.

Generic Argument: A formal argument used in a Generic Type or a Generic Remote Method to represent a parameterized Remoting Type. Generic Arguments can be referenced in the Class or the method as opaque Remoting Types. They are replaced by the actual types when the Class or the method is used. For more information, see Generic Type and Methods in [ECMA-335].

Generic Remote Method: A Remote Method that is parameterized by one or more Remoting Types. The method caller must provide the actual Remoting Types (in addition to the Input Arguments). For more information, see [MS-NRTP] section 3.1.1.

Generic Type: A Class, Server Type, or Server Interface that is parameterized by one or more Remoting Types. A Generic Type contains GenericArguments as a placeholder for the parameterized Remoting Types. A Generic Type cannot have any instances. For more information, see Generic Types and Methods in [ECMA-335].

Hypertext Transfer Protocol (HTTP): An application-level protocol for distributed, collaborative, hypermedia information systems (text, graphic images, sound, video, and other multimedia files) on the World Wide Web.

Input Argument: A named Data Value that is passed as part of a Remote Method invocation from the client to the server. For more information, see Remote Method in the Abstract Data Model (section 3.1.1).

Instantiated Generic Type: A Remoting Type that is the result of replacing the Generic Arguments of a Generic Type with the actual Remoting Types. An Instantiated Generic Class can have instances. For more information, see Generic Types and Methods in [ECMA-335].

IPv4 address in string format: A string representation of an IPv4 address in dotted-decimal notation, as described in [RFC1123] section 2.1.

IPv6 address in string format: A string representation of an IPv6 address, as described in [RFC4291] section 2.2.

Library: Part of the Remoting Data Model. A Library is a named unit that contains a collection of Remoting Types. For more information, see Library in [MS-NRTP] section 3.1.1.

local name: A string value that, together with an XML namespace, identifies XML element and attribute names. For more information, see [XMLNS-2ED].

logical call ID: An optional string value that identifies the logical thread of execution. This value is passed as part of the Call Context and can be used in implementation-specific local threading models on the server.

marshaled server object (MSO): A Marshaled Server Object is a Server Object that is created by a higher layer, and not in response to an incoming request. For more information on server objects, (see Server-Activated Object (SAO) for more information on the latter).. The .NET Remoting Lifetime Services Protocol [MS-NRLS] provides a mechanism for controlling the lifetimes of marshaled server objects.

member: See Class.

message content: The serialized body of a message.

message frame: A transport-specific structure for adding headers to a message. When using HTTP, message frames are represented as HTTP headers. For more information, see HTTP Transport (section 2.1.2). When using TCP, message frames are represented as defined in Message Frame Structure (section 2.2.3.3).

Message Properties: A collection of implementation-specific, name-value pairs that are transmitted as part of a Remote Method invocation. Message Properties are used to exchange implementation-specific data between clients and servers.

method signature: A list of the remoting types of the arguments of a remote method.

NT LAN Manager (NTLM) Authentication Protocol: A protocol using a challenge-response mechanism for authentication in which clients are able to verify their identities without sending a password to the server. It consists of three messages, commonly referred to as Type 1

(negotiation), Type 2 (challenge) and Type 3 (authentication). For more information, see [MS-NLMP].

Null Object: Part of the Remoting Data Model. Null Object is a special value that can be used in place of an instance of a Class, Array, or String. It indicates that no instance is being specified. For more information, see [MS-NRTP] section 3.1.1.

One-Way Method: A Remote Method that has no application response sent from the implementation of the Remote Method back to the caller. This pattern is sometimes referred to as "fire and forget".

Output Argument: A named Data Value that is returned as part of the results of a Remote Method invocation. For more information, see Remote Method in Abstract Data Model (section 3.1.1).

Primitive Type: Part of the Remoting Data Model. Primitive Types are predefined Remoting Types such as Byte, Int16, Int32, Int64, and so on. For more information, see [MS-NRTP] section 3.1.1

Primitive Value: Part of the Remoting Data Model. A Primitive Value is an instance of a Primitive Type.

proxy: Part of the Remoting Data Model. A Proxy forwards the invocations of Remote Methods from the client to the Server Object for execution. The Proxy contains the Request URI of the Server Object. For more information, see [MS-NRTP] section 3.1.1.

Remote Field: Part of the Remoting Data Model. A Remote Field is a remotely accessible field. For more information, see [MS-NRTP] section 3.1.1.

Remote Method: Part of the Remoting Data Model. A Remote Method is a remotely callable operation. A Remote Method can either be One-Way or Two-Way. In the case of a One-Way Method, there is no reply from the implementation. For more information, see [MS-NRTP] section 3.1.1

Remoting Data Model: A model that is used to represent higher-layer-defined data structures and values, and to represent a Remote Method invocation and the Return Value or error information from that invocation. A protocol, such as [MS-NRLS], that is built on top of this protocol can be defined by using the Remoting Data Model, and can be agnostic to the serialization format. For more information, see Abstract Data Model (section 3.1.1).

Remoting Type: Part of the Remoting Data Model. Class, Array, Enum, and Primitive are different kinds of Remoting Types. All Remoting Types are identified by a name that is case sensitive. For more information, see [MS-NRTP] section 3.1.1

Request URI: A URI that provides an address of a Server Object. The Request URI has two major components: a component that is used by the underlying transport to route the message to an appropriate transport endpoint (Channel URI); and another component to map the message to a Server Object within a server (Server Object URI).

Return Value: A Data Value that is returned as part of the results of a Remote Method invocation. For more information, see Remote Method in Abstract Data Model (section 3.1.1).

serialization: A mechanism by which an application converts an object into an XML representation.

Serialization Format: The structure of the serialized message content, which can be either binary or SOAP. Binary serialization format is specified in [MS-NRBF]. SOAP serialization format is specified in [MS-NRTP].

serialize: The process of taking an in-memory data structure, flat or otherwise, and turning it into a flat stream of bytes. See also marshal.

Server Interface: Part of the Remoting Data Model. A Server Interface is a Remoting Type that encapsulates a set of method declarations. The methods have no implementation. For more information, see Server Interface in Abstract Data Model (section 3.1.1).

server object: Part of the Remoting Data Model. A server object is an instance of a Server Type. A server object is either an SAO or an MSO.

Server Object Reference: A representation of an SAO or MSO that can be passed between a client and a server. It contains sufficient information to construct a proxy to invoke Remote Methods on the SAO or MSO.

Server Object Table: A table that contains the list of available Server Objects in the server.

Server Object URI: A relative URI that identifies a Server Object in a given server. It is the path part of Request URI, excluding the leading forward slash (/).

Server Type: Part of the Remoting Data Model. A Server Type contains Remote Methods.

server-activated object (SAO): A server object that is created on demand in response to a client request. See also marshaled server object.

Simple and Protected GSS-API Negotiation Mechanism (SPNEGO): An authentication mechanism that allows Generic Security Services (GSS) peers to determine whether their credentials support a common set of GSS-API security mechanisms, to negotiate different options within a given security mechanism or different options from several security mechanisms, to select a service, and to establish a security context among themselves using that service. SPNEGO is specified in [RFC4178].

Single-Call SAO: An SAO that is created every time a Remote Method on its Server Type is called. For longer-lived SAOs, see Singleton SAO.

Singleton SAO: An SAO that is created the first time a method on its server type is called; subsequent calls to the remote methods on the server type reuse the existing SAO unless it expires. For shorter-lived SAOs, see single-call SAO.

SOAP: A lightweight protocol for exchanging structured information in a decentralized, distributed environment. SOAP uses XML technologies to define an extensible messaging framework, which provides a message construct that can be exchanged over a variety of underlying protocols. The framework has been designed to be independent of any particular programming model and other implementation-specific semantics. SOAP 1.2 supersedes SOAP 1.1. See [SOAP1.2-1/2003].

SOAP Format Identifier: A string that is contained in the message frame. It identifies the serialization format of the message content as specified in [SOAP1.1]. Its value is 'text/xml; charset="utf-8"'.

System Library: A specially designated library that can be used to reduce the wire size for commonly used data types. The name of the library is agreed to by both the server and the client.

System.Object: Part of the Remoting Data Model. System.Object is a Class that has no Members. A Class that does not extend another Class is considered to extend System.Object.

Transmission Control Protocol (TCP): A protocol used with the Internet Protocol (IP) to send data in the form of message units between computers over the Internet. TCP handles keeping track of the individual units of data (called packets) that a message is divided into for efficient routing through the Internet.

Two-Way Method: A Remote Method that has a response sent from the implementation of the Remote Method back to the caller.

Unicode: A character encoding standard developed by the Unicode Consortium that represents almost all of the written languages of the world. The Unicode standard [UNICODE5.0.0/2007] provides three forms (UTF-8, UTF-16, and UTF-32) and seven schemes (UTF-8, UTF-16, UTF-16 BE, UTF-16 LE, UTF-32, UTF-32 LE, and UTF-32 BE).

Uniform Resource Identifier (URI): A string that identifies a resource. The URI is an addressing mechanism defined in Internet Engineering Task Force (IETF) Uniform Resource Identifier (URI): Generic Syntax [RFC3986].

user agent: An HTTP user agent, as specified in [RFC2616].

UTF-8: A byte-oriented standard for encoding Unicode characters, defined in the Unicode standard. Unless specified otherwise, this term refers to the UTF-8 encoding form specified in [UNICODE5.0.0/2007] section 3.9.

XML: The Extensible Markup Language, as described in [XML1.0].

XML namespace: A collection of names that is used to identify elements, types, and attributes in XML documents identified in a URI reference [RFC3986]. A combination of XML namespace and local name allows XML documents to use elements, types, and attributes that have the same names but come from different sources. For more information, see [XMLNS-2ED].

MAY, SHOULD, MUST, SHOULD NOT, MUST NOT: These terms (in all caps) are used as defined in [RFC2119]. All statements of optional behavior use either MAY, SHOULD, or SHOULD NOT.

1.2 References

Links to a document in the Microsoft Open Specifications library point to the correct section in the most recently published version of the referenced document. However, because individual documents in the library are not updated at the same time, the section numbers in the documents may not match. You can confirm the correct section numbering by checking the Errata.

1.2.1 Normative References

We conduct frequent surveys of the normative references to assure their continued availability. If you have any issue with finding a normative reference, please contact dochelp@microsoft.com. We will assist you in finding the relevant information.

[MS-DTYP] Microsoft Corporation, "Windows Data Types".

[MS-NLMP] Microsoft Corporation, "NT LAN Manager (NTLM) Authentication Protocol".

[MS-NNS] Microsoft Corporation, ".NET NegotiateStream Protocol".

[MS-NRBF] Microsoft Corporation, ".NET Remoting: Binary Format Data Structure".

[MS-NRLS] Microsoft Corporation, ".NET Remoting: Lifetime Services Extension".

[MS-OAUT] Microsoft Corporation, "OLE Automation Protocol".

[RFC1034] Mockapetris, P., "Domain Names - Concepts and Facilities", STD 13, RFC 1034, November 1987, <http://www.ietf.org/rfc/rfc1034.txt>

[RFC1123] Braden, R., "Requirements for Internet Hosts - Application and Support", RFC 1123, October 1989, <http://www.ietf.org/rfc/rfc1123.txt>

[RFC1766] Alvestrand, H., "Tags for the Identification of Languages", RFC 1766, March 1995, <http://www.ietf.org/rfc/rfc1766.txt>

[RFC1945] Berners-Lee, T., Fielding, R., and Frystyk, H., "Hypertext Transfer Protocol -- HTTP/1.0", RFC 1945, May 1996, <http://www.ietf.org/rfc/rfc1945.txt>

[RFC2119] Bradner, S., "Key words for use in RFCs to Indicate Requirement Levels", BCP 14, RFC 2119, March 1997, <http://www.rfc-editor.org/rfc/rfc2119.txt>

[RFC2616] Fielding, R., Gettys, J., Mogul, J., et al., "Hypertext Transfer Protocol -- HTTP/1.1", RFC 2616, June 1999, <http://www.rfc-editor.org/rfc/rfc2616.txt>

[RFC2617] Franks, J., Hallam-Baker, P., Hostetler, J., et al., "HTTP Authentication: Basic and Digest Access Authentication", RFC 2617, June 1999, <http://www.rfc-editor.org/rfc/rfc2617.txt>

[RFC3513] Hinden, R. and Deering, S., "Internet Protocol Version 6 (IPv6) Addressing Architecture", RFC 3513, April 2003, <http://www.ietf.org/rfc/rfc3513.txt>

[RFC3986] Berners-Lee, T., Fielding, R., and Masinter, L., "Uniform Resource Identifier (URI): Generic Syntax", STD 66, RFC 3986, January 2005, <http://www.rfc-editor.org/rfc/rfc3986.txt>

[RFC4234] Crocker, D., Ed., and Overell, P., "Augmented BNF for Syntax Specifications: ABNF", RFC 4234, October 2005, <http://www.rfc-editor.org/rfc/rfc4234.txt>

[RFC793] Postel, J., Ed., "Transmission Control Protocol: DARPA Internet Program Protocol Specification", RFC 793, September 1981, <http://www.rfc-editor.org/rfc/rfc793.txt>

[SOAP1.1] Box, D., Ehnebuske, D., Kakivaya, G., et al., "Simple Object Access Protocol (SOAP) 1.1", W3C Note, May 2000, <http://www.w3.org/TR/2000/NOTE-SOAP-20000508/>

[UNICODENORMFORMS] Davis, M., "Unicode Normalization Forms", November, 1999, <http://www.unicode.org/unicode/reports/tr15/tr15-18.html>

1.2.2 Informative References

[ECMA-335] ECMA, "Common Language Infrastructure (CLI): Partitions I through VI", Standard ECMA-335, <http://www.ecma-international.org/flat/publications/Standards/Ecma-335.htm>

1.3 Overview

The .NET Remoting Protocol specifies a mechanism by which a calling program on one machine can invoke a method on a different machine. Arguments are passed along as part of the invocation message, and Return Values are sent in the response.

This protocol defines a simple type system that is a generalization of the common features found in type systems in programming languages. The components of the type system are specified in Abstract Data Model (section 3.1.1). If data can be represented as a Remoting Type, it can be serialized into the .NET Remoting Binary Format, as defined in [MS-NRBF], or the SOAP format as specified in [SOAP1.1]. The rules for serialization of data that is represented using the Remoting Data Model into the .NET Remoting Binary Format are specified in Mapping to Binary Format (section 3.1.5.1). The rules for serialization of data represented using the Remoting Data Model into the SOAP format are defined in Mapping Remoting Data Model to SOAP Format (section 3.1.5.2). The .NET Remoting: Core Protocol Specification introduces a notation for the higher layer to define types and methods in the Remoting Data Model. The grammar for the notation is given in .NET Remoting Description Notation (section 2.2.5). This notation can be used by any protocol that depends on the .NET Remoting Protocol. The notation is used in this specification and in [MS-NRLS].

This section presents a brief overview of the following:

- Remote Method Invocation Model
- Passing Server Objects
- Server Objects Instantiation and Binding

1.3.1 Remote Method Invocation Model

The .NET Remoting Protocol specifies a mechanism to invoke a method where the calling program and the target method are in different address spaces. Following is an example.

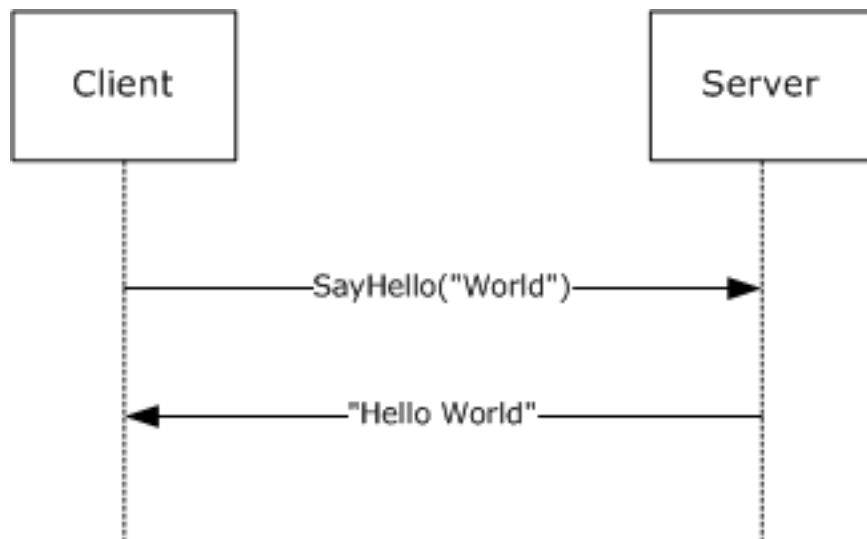


Figure 1: The .NET Remoting Protocol

This protocol defines two roles: client and server. A client initiates communication by calling a Remote Method with Input Arguments using a Proxy. The server responds by executing the method in an implementation-specific manner. The Remote Method can be either a One-Way or a Two-Way Method. If the method is One-Way, then no response is sent back to the client. If the method is Two-Way, then the server sends back a response that can contain a Return Value and Output Arguments.

The protocol defines two mechanisms for exchanging additional data with each Remote Method call: Call Context and Message Properties.

A Call Context is a collection of name-value pairs. A client can add name-value pairs to the Call Context of a Remote Method. The Call Context is then transmitted when the Remote Method is invoked. The server can then modify the Call Context before it transmits the updated Call Context back to the client.

Message Properties is another collection of name-value pairs that behaves in the same way as Call Context. Values in the Call Context are intended to be used for transmitting application-defined values, while the Message Properties are intended to be used for infrastructure-defined values. This protocol does not define any values that are carried as Message Properties or Call Context values.

Remote Method implementations can choose to return an Exception to the caller to indicate an error in processing. Server-side errors such as a connection error, a data validity error, or a server availability error are returned to the client as one of two Exceptions: **Remoting Exception** or **Serialization Exception**.

Remote Method Arguments, Return Value, Call Context, Message Properties, and Exceptions are all represented by Data Values.

1.3.2 Passing Server Objects

The Server Object or a Proxy can be part of a graph of nodes of a Data Value. However, unlike other Data Values, when a graph that contains a Server Object or a Proxy is passed as part of a Remote Method invocation they are transmitted as Server Object **References**.

When a client receives a Server Object Reference from a server, it might receive additional, application-specific data in a part of the Server Object Reference called the Envoy Sink Information. Data sent as the Envoy Sink Information is implementation specific, and the semantics of that information have to be agreed between the client and server out of band. An example of Envoy Sink Information is a set of rules to validate Remote Method Arguments. This protocol does not define any data sent in the Envoy Sink Information.<1>

The following example shows a server sending a Server Object Reference from a server to a client.

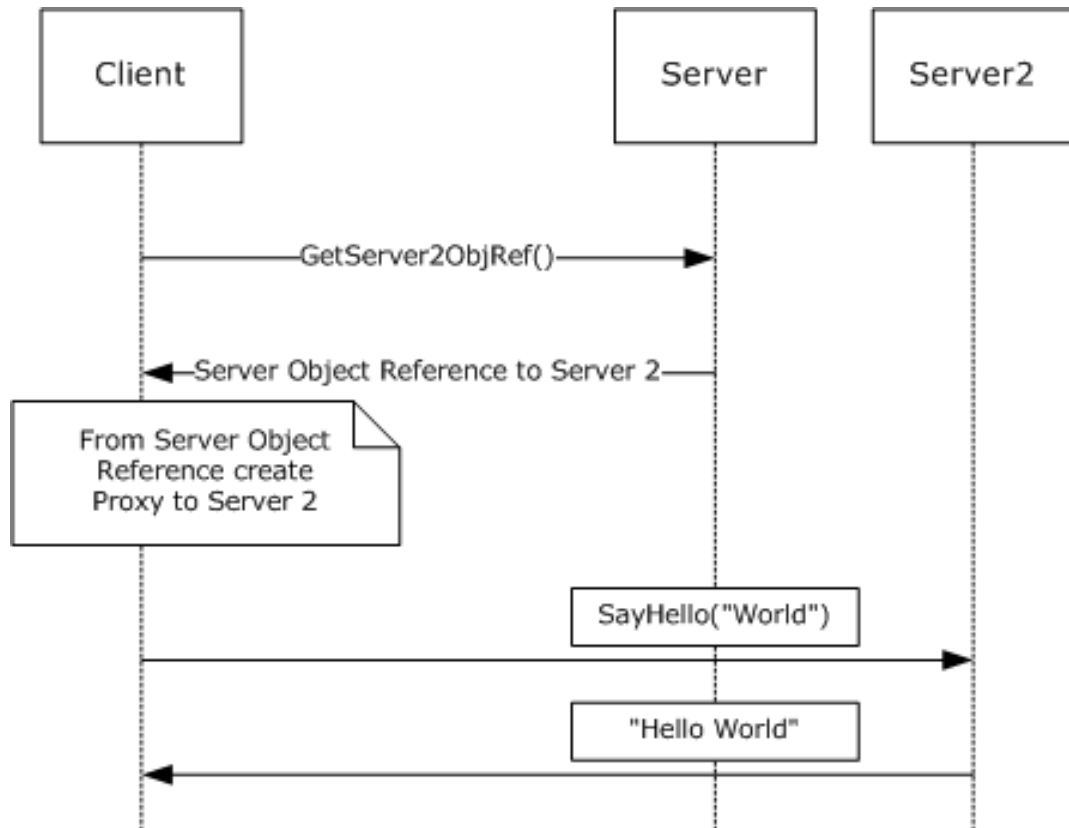


Figure 2: A server sending a Server Object Reference from a server to a client

The following example shows a client sending a Server Object Reference to a server. The server uses the Server Object Reference to call back the client.

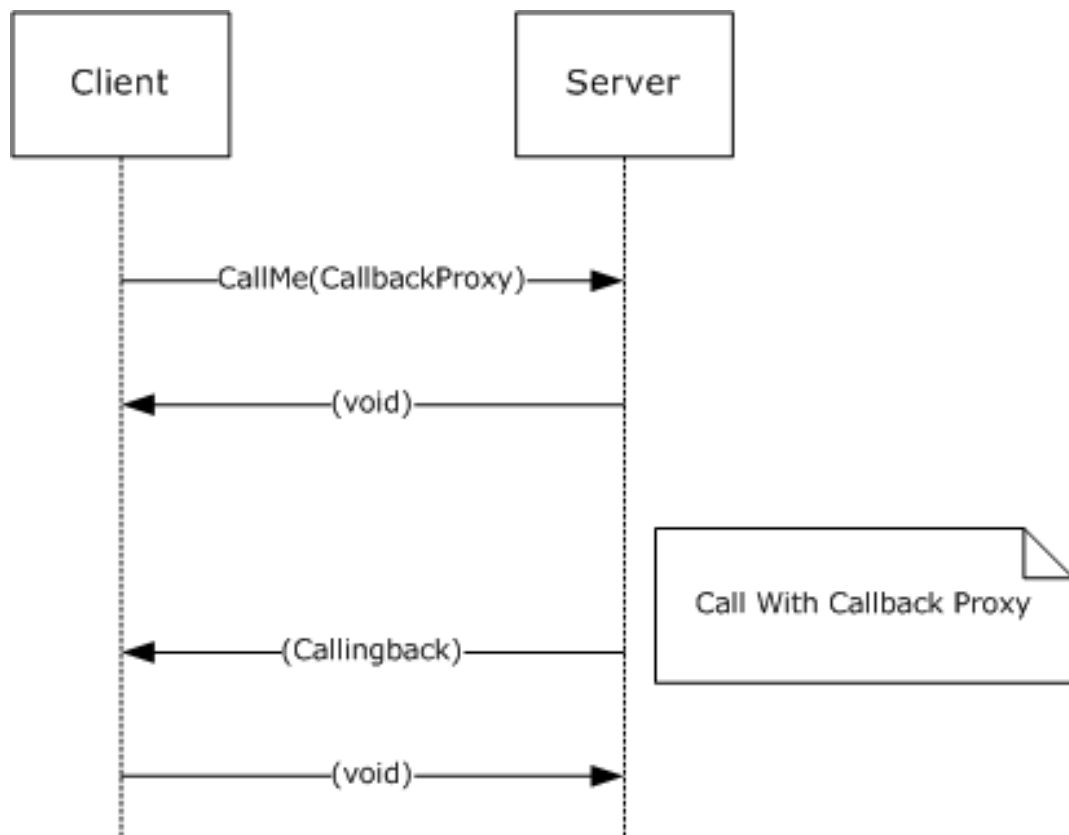


Figure 3: A Server Object Reference being sent by the client and then used by the server to call back the client

1.3.3 Server Object Instantiation and Binding

A client's Remote Method invocation is targeted to a given Server Object by the passing of the Request URI of the Server Object as part of the call. A server implementation uses the Request URI to bind the call to the appropriate Server Object. A server implementation can bind the Request URI to a Server Type or Server Object.

If the binding is to a Server Type, then the server implementation creates a new Server Object by instantiating the Server Type. The created Server Object can then be used to dispatch the method call in an implementation-specific way. Such Server Objects are called Server-Activated Objects (SAOs). Server implementations can be configured to save created SAOs for future calls. Such SAOs are called Singleton SAOs. If the SAO is not configured to be saved, every subsequent call results in the creation of a new instance of the SAO. Such SAOs are called Single-Call SAOs.

Some Server Objects are created by a higher-layer on the server, and not in response to a client request. These Server Objects are called Marshaled Server Objects (MSO). When a Request URI is bound to such an object, the object is used to dispatch the server call in an implementation-specific way.

1.4 Relationship to Other Protocols

This protocol defines the central mechanisms of the .NET Remoting Protocol stack, which convert a Remote Method invocation into an exchange of encoded messages. This protocol depends on other structures and protocols for the encoding and transport of its messages. Further protocols can extend this protocol to provide additional services, such as .NET Remoting Lifetime Services [MS-NRSL] which

defines additional message and semantics to add activation and distributed lifetime management to .NET Remoting. User applications are layered on top of this protocol and use its services for application-specific purposes.

Before a message is sent, the Remote Method is converted to a serialized form for transmission on the wire. A binary encoding for .NET Remoting is specified in .NET Remoting Binary Format [MS-NRBF]. When the binary encoding is used, .NET Remoting can be bound to either TCP [RFC793] or HTTP [RFC2616]. The TCP binding is specified in TCP Transport (section 2.1.1), and the HTTP binding is specified in HTTP Transport (section 2.1.2).

.NET remoting can also use SOAP1.1, which includes both encoding semantics and transport bindings. The SOAP encoding is specified in [SOAP1.1], with .NET remoting-specific portions of the mapping specified in SOAP Serialization Format (section 2.2.4) of this specification. When SOAP is used, .NET remoting can be bound to either TCP [RFC793] or HTTP [RFC2616]. The TCP binding to SOAP is specified in SOAP on TCP (section 2.1.3.2), and the HTTP binding can be found in [SOAP1.1] section 6, with .NET remoting-specific portions of the mapping specified in SOAP on HTTP (section 2.1.3.1) of this specification.

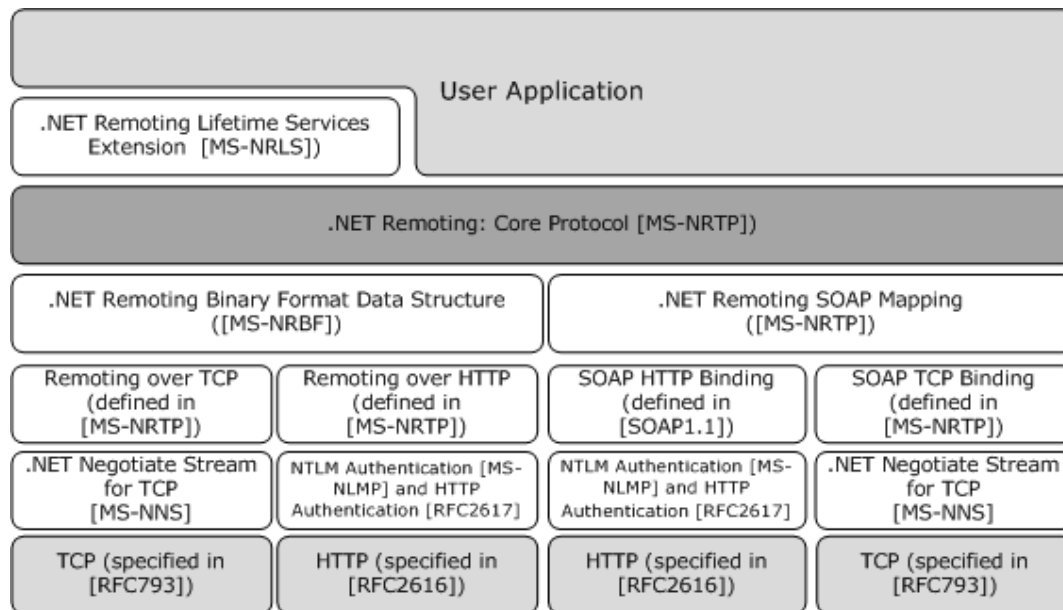


Figure 4: Relationships between .NET Remoting protocols

1.5 Prerequisites/Preconditions

If the HTTPS transport is used, a server certificate must be deployed and a client certificate can be deployed.

This protocol does not define any means for activating a server or a client. The server must be configured and begin listening in an implementation-specific way on a Channel. For more information on Channels, see Initialization (section 3.2.3). The client must know the format and transport used by the server (for example, binary format over HTTP).

The client needs the Request URI of the server, and both the client and server need to agree on the following:

1. Definitions of the Remote Method
2. The Types of Data Values to be exchanged

3. The names of the Libraries that contain the types
4. The Library that is the System Library

1.6 Applicability Statement

This protocol is useful for transferring object method invocation information in a distributed environment. This protocol is designed for use on private networks, and is not appropriate for use on public networks. See Security Considerations for Implementers (section 5.1) for more details.

1.7 Versioning and Capability Negotiation

This specification covers versioning issues in the following areas:

- **Supported transports:** This protocol can use SOAP, TCP, HTTP, or HTTPS as a transport. Details are provided in Transport (section 2.1).
- **Protocol versions:** Only one version of this protocol is currently defined.
- **Security and authentication methods:** This protocol relies on the security provided by the following:
 - .NET Negotiate Stream for TCP as defined in [MS-NNS], HTTPS, HTTP Basic Access, and Digest Access
 - NTLM authentication as defined in [RFC2617] and [MS-NLMP]

This protocol does not have security and authentication provisions of its own.

- **Capability negotiation:** An implementation of this protocol with SOAP over HTTP can interoperate with other implementations of SOAP over HTTP that implement [SOAP1.1]. This protocol provides a mechanism to distinguish an implementation of this protocol from other implementations of SOAP over HTTP. A client role of this protocol indicates this by using the User-Agent header as specified in Versioning and Capability Negotiation (section 2.1.3.1.1.1). The server role uses this information when sending a SOAP fault as specified in ServerFault (section 2.2.2.17).

1.8 Vendor-Extensible Fields

This protocol allows custom headers to be added to the message frame structure when TCP is used as a transport, as specified in CustomHeader (section 2.2.3.3.3.2). Custom headers added to the TCP message frame are ignored by .NET remoting. This protocol does not include vendor-extensible fields when HTTP is used as a transport. However, this protocol does not preclude implementers from adding HTTP headers, as specified in [RFC2616] section 4.2. This protocol also does not preclude implementers from adding SOAP headers as specified in [SOAP1.1] section 4.2.

1.9 Standards Assignments

No standards assignments are made by this protocol.

2 Messages

2.1 Transport

2.1.1 TCP Transport

This section specifies the protocol to use TCP as specified in [RFC793] to transmit method invocation and return information.

If instructed by a higher-level protocol in an implementation-specific way, an implementation of this protocol **MUST** require the implementation of the [MS-NNS] protocol on the server to authenticate the TCP client using SPNEGO.

The higher-level protocol **MUST** provide, in an implementation-specific way, the required credentials for the authentication. Implementations of this protocol **MUST NOT** process the credentials or authentication information before transmission. Such processing typically happens entirely inside implementations of lower protocol layers. An extension of this protocol **MAY** use the credentials from the lower protocol layers for authorization or impersonation.

2.1.1.1 Client Details

2.1.1.1.1 Sending Request

In the client role, an implementation **MUST** first establish a TCP connection to the server. A client implementation **MAY** cache and reuse a connection to a specific server port or create a new connection.<2>

After a connection is established, a client implementation **MUST** transmit the message content that contains information to perform invocation of the target Remote Method identified by the higher layer as specified in Remote Method Invocation.

The implementation **MUST** construct a message frame structure as specified in Message Frame Structure with the following additional constraints:

- The implementation **SHOULD** use single message content (section 2.2.3.3.1) but **MAY** use chunked message content (section 2.2.3.3.2).<3>
- The implementation **MUST** set the **OperationType** field of the message frame to **OneWayRequest(1)** if the Remote Method is a One-Way Method; otherwise, the field **MUST** be set to **Request(0)**.
- The implementation **MUST** send a request message that consists of the message frame and the message content using the previously established TCP connection. The message content **MUST** be sent as specified in Message Frame Structure. If any error occurs while the message is being written, the implementation **MAY** reestablish the connection and retransmit the message.
- If the Remote Method is One-Way then the connection **MAY** be reused after the message has been sent. If the Remote Method is Two-Way then the connection **MUST NOT** be used to send any other requests to the server until the response for the request is received.<4>

2.1.1.1.2 Receiving Reply

If the **OperationType** of the message is **Request(0)**, an implementation **MUST** wait for the Two-Way Reply message in the same connection. The implementation **MAY** have an implementation-specific time-out period. If the server does not reply within the time-out period, the higher layer **MAY** be notified of the time-out error.<5>

If the message frame of the reply message does not conform to the structure specified in Message Frame Structure (section 2.2.3.3) or if the **OperationType** field of the message frame is not Reply(2), then the implementation MUST notify the higher layer of the error.

An implementation MAY process implementation-defined CustomHeaders in an implementation-specific way. The implementation MUST ignore any CustomHeaders that it does not understand.

The data in the transport buffer MUST be consumed so that the connection can be reused.

An implementation of the protocol MAY cache the connection after reading the reply, unless the message frame has a CloseConnectionHeader.

2.1.1.2 Server Details

2.1.1.2.1 Receiving Request

The server implementation of this protocol MUST listen on the TCP port as specified in section 3.2.3. When a connection is available, the implementation of the protocol MUST process the message from the connection stream as follows. An implementation MUST NOT send anything other than the reply to this request in this connection.

If the message frame of the request message does not conform to the structure specified in Message Frame Structure (section 2.2.3.3) or if the **OperationType** field of the message frame is neither Request(0) nor OneWayRequest(1) then an implementation MUST send back a fault as specified below.

An implementation MAY process implementation-defined CustomHeaders in an implementation-specific way. The implementation MUST ignore any CustomHeaders that it does not understand. <6>

A transport fault MUST be sent as a reply as specified in Sending Reply (section 2.1.1.2.2) with additional constraints on the message frame construction as follows:

- The **ContentDistribution** field MUST be written as NotChunked.
- The **ContentLength** field MUST be written as zero.
- The StatusCode header MUST be written with a value of 1 (Error).
- The StatusPhrase header SHOULD contain helpful text about the error.
- The CloseConnection header MUST be written to indicate that the connection must not be cached after processing this message.
- The implementation MUST NOT write any MessageContent.

2.1.1.2.2 Sending Reply

If the OperationType of the request message is OneWayRequest(1), then an implementation MUST NOT send any response. The rest of this section applies only to incoming request messages where the OperationType of the message is Request(0).

An implementation MUST construct a TCP message frame as specified in Message Frame Structure (section 2.2.3.3) with the following constraints:

- The implementation SHOULD use single message content (section 2.2.3.3.1) but MAY use chunked message content (section 2.2.3.3.2). <7>
- The OperationType MUST be written as Reply(2).

- The associated **Method Type** of the target Remote Method obtained as specified in Dispatching the Call (section 3.2.5.1.4) MUST be obtained in an implementation-specific way. If the **Method Type** is One-Way, then the reply MUST contain an empty message content.

Finally, the implementation MUST package the message content following the message frame as specified in Message Frame Structure (section 2.2.3.3).

A server implementation MUST send the reply in the same connection that the request came in. The implementation MAY use the Close Connection header specified in the CloseConnectionHeader subsection under the Message Frame Structure (section 2.2.3.3) to indicate the client should not send any more messages in this connection.

2.1.2 HTTP Transport

This section specifies the protocol to use HTTP transport as specified in [RFC1945] and [RFC2616] to transmit method invocation and return information. At a high level, the message request of a Remote Method invocation MUST be sent as part of an HTTP request and the reply from the server MUST be sent as part of the HTTP response. In the case of a one-way method, the HTTP response body MUST be empty, as specified in Sending Reply (section 2.1.2.2.2).

Port 80 is the standard port assignment for HTTP and port 443 is the standard port assignment for HTTPS. However, an implementation MUST support other ports if specified by a higher-level protocol in an implementation-defined way.

If instructed by a higher-level protocol in an implementation-specific way, implementations of this protocol MUST require that the HTTP implementation on the server use Basic or Digest Access Authentication for HTTP to authenticate the HTTP client, as specified in [RFC2617] or NTLM authentication [MS-NLMP] for HTTP.

The higher-level protocol MUST provide in an implementation-specific way either credentials in the form of user name/password or a client-side certificate. Implementations of this protocol MUST NOT process the credentials or authentication information. Such processing typically happens entirely inside implementations of lower protocol layers.

2.1.2.1 Client Details

2.1.2.1.1 Sending Request

A Remote Method invocation request MUST be mapped to an HTTP request and MUST have the following HTTP headers:

- An implementation MAY use HTTP/1.0 or HTTP/1.1.<8><9>
- The HTTP Method SHOULD be a POST. The HTTP Method MAY be M-POST.
- The Request-URI of the HTTP request message MUST be set to the Server Object URI of the Remote Method.
- The User-Agent SHOULD contain the string "MS .NET Remoting".<10>
- The Content-Type MUST be either a binary format identifier or a SOAP format identifier.
- The message content MUST be transmitted as the HTTP request message body. The message body MAY be sent using chunked transfer coding as specified in [RFC2616] section 3.6.1. If the message body is not chunked then the Content-Length entity header MUST contain the length of the message body in decimal number of octets.<11>

2.1.2.1.2 Receiving Reply

If the target Remote Method that is identified by the higher layer as specified in Remote Method Invocation (section 3.3.4.2) is Two-Way, then the implementation MUST wait for a response. If a response is not received before an implementation-defined time-out, the implementation SHOULD cancel the request and report an error to the higher layer.<12>

For Two-Way Remote Methods, if the status code of the HTTP response is one of the successful codes as specified in [RFC2616] section 10.2 or one of the server-error codes as specified in [RFC2616] section 10.5, the response MUST be processed further as specified in section 3.3.4.2.4. If the Status-Code is one of the client-error codes as specified in [RFC2616] section 10.4, the response MUST NOT be processed any further.

For both Two-Way and One-Way Remote Methods an implementation MAY handle other status codes in an implementation-specific way that complies with [RFC2616]. If an error occurs in processing of the other status codes, the response MUST NOT be processed any further.<13>

2.1.2.2 Server Details

2.1.2.2.1 Receiving Request

A Remote Method invocation request is mapped to an HTTP request. An implementation MUST accept request messages that are sent using either HTTP/1.0 or HTTP/1.1. If the HTTP method is neither POST nor M-POST or if the Content-Type is neither a binary format identifier nor a SOAP format identifier, then an implementation MUST send back a transport fault as specified in the following list.

An implementation MUST send back an HTTP response:

- The HTTP Status-Code of the response MUST be 400.
- The Reason-Phrase SHOULD be "Bad Request".
- The Body of the response MUST be empty.

2.1.2.2.2 Sending Reply

A Remote Method reply is mapped to an HTTP response and MUST have the following HTTP header fields:

- The Content-Type of the response MUST match the Content-Type of the request.
- An implementation MUST return an HTTP response with a Status-Code and message body as shown in the following table. The Reason-Phrase value SHOULD be as follows.

Request message	Status-Code	Reason-Phrase	Message body
One-Way Method	202	Accepted	Empty
Two-Way Method	200	OK	Serialized message content

2.1.3 SOAP Transport

At a high level, a Two-Way Remote Method invocation is modeled as a SOAP request message with an associated response message. A One-Way Remote Method invocation is modeled as a SOAP request message with no response message.

A request message MUST be constructed as follows:

- The content of the request message MUST be a valid Envelope infoset per [SOAP1.1] section 4.

- The SOAP body infoset MUST contain a valid method request struct per [SOAP1.1] section 7.
- Any method parameters MUST be encoded as a valid serialization of the [SOAP1.1] section 5 encoding.

A response message MUST be constructed as follows:

- The content of the response message MUST be a valid Envelope infoset per [SOAP1.1] section 4.
- The SOAP body infoset MUST contain a valid method response struct per [SOAP1.1] section 7.
- Any method parameters MUST be encoded as a valid serialization of the [SOAP1.1] section 5 encoding.

When using .NET Remoting over the SOAP protocol, .NET Remoting can be bound to HTTP or TCP.

- For HTTP, .NET Remoting method invocation MUST be bound to an HTTP request/response pair per [SOAP1.1] section 6.
- For TCP, see section 2.1.1 (raw TCP binding).

2.1.3.1 SOAP on HTTP

When using HTTP, the message MUST be transmitted as specified in [SOAP1.1] section 6.

2.1.3.1.1 Client Details

2.1.3.1.1.1 Sending Request

HTTP request MUST be constructed as specified in [SOAP1.1] section 6 with the following additional constraints:

- The Request-URI of the HTTP request message MUST be set to the Server Object URI of the Remote Method.
- The User-Agent SHOULD contain the string "MS .NET Remoting".<14>
- The charset of the Content-Type SHOULD be UTF-8.

2.1.3.1.1.2 Receiving Reply

An HTTP response MUST be processed as specified in [SOAP1.1] section 6.

An implementation MAY handle status codes—other than successful codes specified in [RFC2616] section 10.2 or one of the server-error codes as specified in [RFC2616] section 10.5—in an implementation-specific way that complies with [RFC2616]. If an error occurs in the processing of the other status codes, the response MUST NOT be processed any further.<15>

2.1.3.1.2 Server Details

2.1.3.1.2.1 Receiving Request

HTTP request MUST be processed as specified in [SOAP1.1] section 6.

2.1.3.1.2.2 Sending Reply

HTTP response MUST be constructed as specified in [SOAP1.1] section 6 with the following additional constraint:

- The charset of the Content-Type SHOULD be UTF-8.

2.1.3.2 SOAP on TCP

This section specifies a binding of SOAP to TCP for use in .NET Remoting:

- The TCP connection MUST be a duplex connection.
- The SOAP request and the SOAP response MUST be transmitted through the same connection. The connection MUST be exclusive for a request-response until the response is completely processed by the client.
- The payload MUST include enough information outside the SOAP Envelope (as transport frame header) to identify the Server Object and the format identifier.
- SOAP Faults have no impact on the TCP Message Frame structure.

2.1.3.2.1 Client Details

2.1.3.2.1.1 Sending Request

A SOAP request parameter using TCP transport MUST be sent as specified in the Sending Request subsection under the TCP Transport section with the following additional constraint:

- The Content-Type header MUST be set to a SOAP format identifier.

2.1.3.2.1.2 Receiving Reply

A SOAP reply using TCP transport MUST be processed as specified in the Receiving Reply subsection under the TCP Transport section.

2.1.3.2.2 Server Details

2.1.3.2.2.1 Receiving Request

A SOAP request parameter using TCP transport MUST be processed as specified in the Receiving Request subsection under the TCP Transport section with the following additional constraint:

- If the Content-Type is not a SOAP format identifier, the message does not belong to this transport protocol. A transport fault MUST be sent back as specified in the Receiving Request subsection under the TCP Transport section.

2.1.3.2.2.2 Sending Reply

A SOAP reply parameter using TCP transport MUST be sent as specified in the Sending Reply subsection under the TCP Transport section.

2.2 Message Syntax

2.2.1 Common Patterns

This section specifies common string patterns using Augmented Backus-Naur Form (ABNF) syntax specified in [RFC4234].

2.2.1.1 IdentifierName

IdentifierName MUST follow Annex 7 of Technical Report 15 of the Unicode Standard 3.0 governing the set of characters permitted to start and be included in identifiers as specified in [UNICODENORMFORMS]. Identifiers MUST be in the canonical format defined by Unicode Normalization Form C.

For more information see [ECMA-335] section 8.5.1.

2.2.1.2 RemotingTypeName

A value that complies with this pattern identifies a Remoting Type. It MUST be of the following format.

Formats for type names		
TypeName	=	0*1(NamespaceIdentifier '.') TypeIdentifier 0*1(TypeParameterList) 0*1(Dimension)
Dimension	=	'[' '*' / 0*(',') ']'
TypeIdentifier	=	0*(TypeIdentifier '+') IDENTIFIER 0*1(TypeParameterCount)
TypeParameterCount	=	'' 1*(0'-9')
TypeParameterList	=	'[' '[' QualifiedTypeName ']' 0*(',' '[' QualifiedTypeName ']') ']' <16>
NamespaceIdentifier	=	IDENTIFIER 0*('.') IDENTIFIER
IDENTIFIER	=	See IdentifierName (section 2.2.1.1)
QualifiedTypeName	=	TypeName ',' LibraryName

2.2.1.3 LibraryName

A value complying with this pattern identifies a Library in the Remoting Data Model. It MUST be of the following format.

Formats for library names		
LibraryName	=	LibraryIdentifier *(',' LibraryProperty)
LibraryIdentifier	=	IDENTIFIER; as specified in IdentifierName (section 2.2.1.1)
LibraryProperty	=	VersionProperty / PublicKeyTokenProperty / CultureProperty / RetargetableProperty
VersionProperty	=	'Version' '=' VersionValue
RetargetableProperty	=	'Retargetable' '=' 'Yes' / 'No'
VersionValue	=	UInt16 '.' UInt16 '.' UInt16 '.' UInt16
UInt16	=	1*5(DIGIT) ; Range from 0 to 65536
PublicKeyTokenProperty	=	'PublicKeyToken' '=' TokenValue
TokenValue	=	16*16(HEXDIG) / NULLSTRING
NULLSTRING	=	'null'

Formats for library names		
CultureProperty	=	Culture of the Library in [RFC1766] format, or "neutral" for language-independent (nonsatellite) assemblies.

2.2.1.4 Method Signature

A value complying with this pattern uniquely identifies a Method in a Class. The value MUST be of the following format.

Formats for Method Signature		
Method	=	TypeName IDENTIFIER TypeIdentifierList ArgumentList
ArgumentList	=	'(' 0*1(Argument 0*(';' Argument)) ')' ';'
Argument	=	TypeName 0*1('ByRef')
TypeIdentifierList	=	'[' '[' TypeIdentifier ']' 0*('[' TypeIdentifier ']) ']'
IDENTIFIER	=	See IdentifierName (section 2.2.1.1)
TypeIdentifier	=	See RemotingTypeName (section 2.2.1.2)

2.2.2 Common Types

This section defines Classes that are used by this protocol. The Class definitions in this section use the notation defined in section 2.2.5. The definitions correspond to the Remoting Data Model and can be mapped to the formats specified in [MS-NRBF] or [SOAP1.1]. The instructions to map the Classes to the binary format specified in [MS-NRBF] are specified in 3.1.5.1. The instructions to map the Classes to the SOAP format [SOAP1.1] are specified in 3.1.5.2.

2.2.2.1 ObjRef

ObjRef is a Class. The Library name of the Class is "mscorlib". It represents a Server Object Reference. It is Assignable to Remoting Types of all Server Objects.

```
namespace System.Runtime.Remoting
{
    class ObjRef
    {
        String                uri;
        Int32                 objRefFlags;
        System.Runtime.Remoting.TypeInfo typeInfo;
        System.Runtime.Remoting.EnvoyInfo envoyInfo;
        System.Runtime.Remoting.ChannelInfo channelInfo;
        Bool                  fIsMarshalled;
    }
}
```

uri: A URI that identifies the Server Object.

objRefFlags: An Int32 value that indicates whether the **ObjRef** is created from a MSO or from a SAO. If the second lowest bit (value of 2) is set, then **ObjRef** is created from an SAO. Otherwise, it is created from an MSO.

typeInfo: A TypeInfo instance that contains name, Base Class, and Interfaces of the Server Type.

envoyInfo: An instance of EnvoyInfo that contains the Envoy Sink Information of the Server Object.

channelInfo: A ChannelInfo instance that contains a list of ServerURIs.

flsMarshaled: An Int32 value that specifies whether **ObjRef** is well-formed. An **ObjRef** is well-formed if all of the following are true:

- The ObjRef Class is not a Null Object.
- The **uri** field is not a Null Object.
- One of the following is true:
 - The second lowest bit of objRefFlags (value of 2) is set.
 - The **channelInfo** field is not a Null Object.

If the second lowest bit (value of 2) is set, then the value of the **uri** field MUST be an absolute URI. Otherwise, the value of the **uri** field MUST be a relative URI.

2.2.2.2 TypeInfo

TypeInfo is a Class. The Library name of the Class is "mscorlib". It contains information about the Server Type and is used in an **ObjRef** class.

```
namespace System.Runtime.Remoting
{
    class TypeInfo
    {
        String serverType;
        String[] serverHierarchy;
        String[] interfacesImplemented;
    }
}
```

serverType: A String value that identifies the Server Type. The format of the String value is specified as QualifiedTypeName in section TypeName.

serverHierarchy: An Array of String values that identifies the Base Classes of the Server Type. The format of the String is specified as QualifiedTypeName in section TypeName.

interfacesImplemented: An Array of String that identifies the Server Interfaces implemented by Server Type. The format of the String value is specified as QualifiedTypeName in section TypeName.

2.2.2.3 EnvoyInfo

EnvoyInfo is a Class. The Library name of the Class is "mscorlib". An instance of this Class contains Envoy Sink Information.

```
namespace System.Runtime.Remoting
```

```

{
    class EnvoyInfo
    {
        System.Object envoySinks;
    }
}

```

envoySinks: A Data Value that represents the Envoy Sink Information of a Server Object. The value of this field MUST NOT be a Server Object or a Proxy.

2.2.2.4 ChannelInfo

ChannelInfo is a Class. The Library name of the Class is "mscorlib". It contains the information about available channels in the server. It is used by ObjRef.

```

namespace System.Runtime.Remoting
{
    class ChannelInfo
    {
        System.Object[] channelData;
    }
}

```

channelData: An Array that can contain instances of ChannelDataStore specified in ChannelDataStore (section 2.2.2.5).

2.2.2.5 ChannelDataStore

ChannelDataStore is a Class. The Library name of the Class is "mscorlib". It is an item in the 'channelData' Array in the ChannelInfo Class.

```

namespace System.Runtime.Remoting
{
    class ChannelDataStore
    {
        String[] _channelURIs;
        System.Collections.DictionaryEntry[] extraData;
    }
}

```

_channelURIs: Contains a Channel URI. The Array MUST contain at least one item.

extraData: This field SHOULD be a Null Object. Readers MUST ignore this field.

2.2.2.6 DictionaryEntry

DictionaryEntry is a Class. The Library name of the Class is "mscorlib". It is defined as follows.

```

namespace System.Collection
{
    class DictionaryEntry
    {
        System.Object _key;
        System.Object _value;
    }
}

```

```
}
```

key: _An instance of any Remoting Type.

_value: An instance of any Remoting Type.

2.2.2.7 System.Exception

System.Exception is a Class. The Library name of the Class is "mscorlib". This is the Base Class for all Exception Classes.

```
namespace System
{
    class Exception
    {
        String    ClassName;
        String    Message;
        System.Exception InnerException;
        String    HelpUrl;
        String    StackTraceString;
        String    RemoteStackTraceString;
        Int32     RemoteStackIndex;
        String    ExceptionMethod;
        Int32     HResult;
        String    Source;
        System.Object Data;
    }
}
```

ClassName: The TypeName of the Exception Class. If the instance is a Derived Class of this Class then this field **MUST** contain the TypeName of the most Derived Class.

Message: A String value that represents a human-readable text that describes the Exception. The string **MAY** be localized.<17>

InnerException: An instance assignable to System.Exception that is wrapped by this Exception. If this Exception does not wrap any other Exception, then the value of this field **MUST** be NullObject.

HelpUrl: Link to a page that contains additional information about the Exception. This field is optional and its value **MAY** be NullObject.

RemoteStackTraceString: String representation of the call stack when the Exception was thrown on the server side. If the Exception was thrown across multiple remoting boundaries, then this field **SHOULD** contain a concatenation of the stack traces of all the remoting servers. The stack traces **MUST** be ordered from the ultimate Remoting Server to the first Remoting Server that was called by the client.

RemoteStackIndex: An int representing the number of Remoting boundaries that the Exception has propagated beyond the first one. This value **MUST** be zero for a simple client server scenario.

ExceptionMethod: A string value that provides information about the method that throws the Exception.

HResult: An Int32 value that specifies the numerical error code.

Source: A string value that is set by the code that throws the Exception. This MAY be any string.

Data: An instance of any Data Value that provides additional information about the Exception. The semantics of the value are not part of this protocol. <18>

2.2.2.8 SystemException

SystemException is a Derived Class of System.Exception. The Library name of the Class is "mscorlib". There are no Members other than the Members inherited from the System.Exception Class. This Class has an additional constraint: The **HResult** MUST be hex value 0x80131501.

```
namespace System
{
    class SystemException : System.Exception
    {
    }
}
```

2.2.2.9 RemotingException

RemotingException is a Derived Class of SystemException. The Library name of the Class is "mscorlib". There are no Members other than the Members inherited from the System.Exception Class. This Class has an additional constraint: The **HResult** MUST be hex value 0x8013150B.

```
namespace System.Runtime.Remoting
{
    class RemotingException : System.SystemException
    {
    }
}
```

2.2.2.10 SerializationException

SerializationException is a Derived Class of SystemException. The Library name of the Class is "mscorlib". There are no Members other than the Members inherited from the System.Exception Class. This Class has an additional constraint: The **HResult** MUST be hex value 0x8013150C.

```
namespace System.Runtime.Serialization
{
    class SerializationException : System.SystemException
    {
    }
}
```

2.2.2.11 System.Type

System.Type is a Class contained in the System Assembly. An instance of System.Type represents a Remoting Type. The instance can be part of a Data Value graph. The Class has no Members. It relies on Classes that are assignable to System.Type to provide the information about the Remoting Type. For further information, see UnitySerializationHolder (section 2.2.2.12).

```
namespace System
{
```

```

class System.Type
{
}
}

```

This Class has no Members.

2.2.2.12 UnitySerializationHolder

UnitySerializationHolder is a Class. The Library name of the Class is "mscorlib". It contains metadata that provides information about a Remoting Type. It is Assignable to System.Type.

```

namespace System
{
    class UnitySerializationHolder
    {
        Int32           UnityType;
        String          _Data;
        String          _AssemblyName;
        System.Type[]   GenericArguments;
    }
}

```

UnityType: An Int32 value that indicates whether the Remoting Type is a Generic Type as shown in the following table.

UnityType value	Remoting Type category
4	All types except Instantiated Generic Type
8	Instantiated Generic Type

Data: **_A String** value that contains the name of the Remoting Type. The value MUST conform to the format specified in TypeName (section 2.2.1.2).

AssemblyName: A **String** value that contains the name of the Library that contains the Remoting Type. The value MUST conform to the format specified in LibraryName (section 2.2.1.3).

GenericArguments: A **System.Type Array** value that contains the information about the Remoting Type of the actual parameters that were used to construct the Instantiated Generic Type. This field MUST be present if UnityType is 8. This field MUST NOT be present for other values of UnityType. This field MUST have at least one entry and MUST NOT contain any null entries.<19>

2.2.2.13 MemberInfoSerializationHolder

MemberInfoSerializationHolder is a Class. The Library name of the Class is "mscorlib". It contains information about a Member. The Class is defined as follows.

```

namespace System.Reflection
{
    class MemberInfoSerializationHolder
    {
        String          Name;
        String          AssemblyName;
        String          ClassName;
        String          Signature;
    }
}

```



```

        Int32           MemberType;
        System.Type[]  GenericArguments;
    }
}

```

Name: A String value that contains the name of the Member.

AssemblyName: A String value that represents the name of the Library containing the Class that contains the Member. The value MUST conform to the format specified in LibraryName (section 2.2.1.3).

ClassName: A String value that represents the name of the Class that contains the Member. The value MUST conform to the format specified in RemotingTypeName (section 2.2.1.2).

Signature: A String value that uniquely identifies a Member in the given Remoting Type.

MemberType: An Int32 value that indicates the type of the Member. The possible values of the field are as follows.

The possible values of the MemberType field	
Constructor	Indicates that the Member is a constructor of a .NET Class. Its value is 1.
Event	Indicates that the Member is a .NET Event. Its value is 2.
Field	Indicates that the Member is a field of a .NET Class. Its value is 4.
Method	Indicates that the Member is a method of a .NET Class. Its value is 8.
NestedType	Indicates that the Member is a nested .NET Class. Its value is 128.
Property	Indicates that the Member is a property of a .NET Class. Its value is 16.

GenericArguments: A System.Type Array value that contains the information about the Remoting Type of the actual parameters that were used to construct the Instantiated Generic Method. If the Member is not generic, then this field MUST contain Null Object.<20>

2.2.2.14 DelegateEntry

DelegateEntry is a Class. The Library name of the Class is "mscorlib". The full name of the Class is System.DelegateSerializationHolder+DelegateEntry. It is a linked list that has one node for each Remote Method. Each entry contains information about the Delegate itself, the Remote Method, and Target object. It is defined as follows.

```

namespace System
{
    class DelegateSerializationHolder+DelegateEntry
    {
        String assembly;
        System.DelegateSerializationHolder+DelegateEntry delegateEntry;
        String methodName;
        System.Object target;
        String targetTypeAssembly;
        String targetTypeNamespace;
        String type;
    }
}

```

assembly: A String value that contains the name of a Library that contains the Delegate. The value MUST conform to the format specified in LibraryName (section 2.2.1.3).

delegateEntry: A DelegateEntry value that contains a reference to another DelegateEntry. The value MUST be a Null Object if there are no additional DelegateEntries.

methodName: A String value that contains the name of a Remote Method of the Delegate.

target: A String value that contains the name of a Member of DelegateSerializationHolder. The DelegateSerializationHolder instance that contains this DelegateEntry MUST contain a Member with this name.

targetTypeAssembly: A String value that contains the name of the Library that contains the Remoting Type target of the Delegate. The value MUST conform to the format specified in LibraryName (section 2.2.1.3).

targetTypeName: A String value that contains the name of the Remoting Type target of the Delegate. The value MUST conform to the format specified in RemotingTypeName (section 2.2.1.2).

type: A String value that contains the name of the Delegate. The value MUST conform to the format specified in RemotingTypeName (section 2.2.1.2).

2.2.2.15 DelegateSerializationHolder

DelegateSerializationHolder is a Class. The Library name of the Class is "mscorlib". Its full name is 'System.DelegateSerializationHolder'. It contains information about a Delegate.

The DelegateSerializationHolder has a Member called Delegate, whose type is a DelegateEntry (section 2.2.2.14) value. The DelegateSerializationHolder is structured as a linked list, with each instance of DelegateEntry providing a reference to information about a Remote Method and its target in the Delegate.

For each Remote Method target of the Delegate, there is a Member to contain the Target Proxy for the Method. The Member is typed to the Server Type of the Remote Method. As specified in section 2.2.2.14, the value of the target field of the DelegateEntry for the Remote Method MUST match the name of this Member. An implementation MAY use any naming scheme to name the target Member. <21>

For each Remote Method, there is an optional Member that is typed to System.Reflection.MemberInfoSerializationHolder that contains information about the Method. To represent a Method, the Members of MemberInfoSerializationHolder MUST be set as follows:

- The field **Signature** MUST contain the Method Signature of the Delegate. It MUST conform to the format specified in Method Signature (section 2.2.1.4).
- The value of the field **MemberType** MUST be 8.

If the Method Member is present, then the method name specified by the Name field of MemberInfoSerializationHolder MUST match the **methodName** in the DelegateEntry.

The Method Member MUST be of the following format.

Format for Member names		
MethodMemberName	=	'Method' Index
Index	=	1*('0'-'9')

For a given DelegateSerializationHolder, the value of the Index MUST start from 0 and MUST increase by 1 for each Method Member. The Index value MUST match the index of the DelegateEntry for the Remote Method in the linked list.<22>

2.2.2.16 CallContextRemotingData

CallContextRemotingData is a Class. The Library name of the Class is "mscorlib". It is used to send Logical Call ID as part of the Call Context.

```
namespace System.Runtime.Remoting.Messaging
{
    class CallContextRemotingData
    {
        String ___logicalCallID;
    }
}
```

_logicalCallID: A string value that represents the Logical Call ID. The value MAY be any Unicode string.

2.2.2.17 ServerFault

ServerFault is a Class. The Library name of the Class is "mscorlib". It contains fault detail information that is used as part of SOAP fault.

```
namespace System.Runtime.Serialization.Formatter
{
    class ServerFault
    {
        String          exceptionType;
        String          message;
        String          stackTrace;
        System.Exception exception;
    }
}
```

- **exceptionType:** A String that contains the name of the Remoting Type of the Exception. The format of the string is as specified in section 2.2.1.2.
- **message:** A String that contains a human-readable text message that describes the fault.
- **stackTrace:** A String that contains the **StackTrace** field of the Exception.
- **exception:** A Data Value that is assignable to System.Exception. The exception object is serialized as specified in [SOAP1.1] section 5. The structure of the System.Exception Class is specified in section 2.2.2.7.

If the client is an implementation of the .NET Remoting Protocol, then the Exception field MUST have a valid value and the other elements MUST contain a serialized Null Object. Otherwise, the Exception field MUST contain a Null Object and other elements MUST contain a valid value.

The client is considered to be an implementation of the .NET Remoting Protocol if one of the following is true:

- The transport is TCP.
- The transport is HTTP and the User-Agent header contains "MS .Net Remoting" (case sensitive).

2.2.3 TCP Message Syntax

The Remote Method payload is transmitted in message content between clients and server. The protocol does not consume or modify the message content (except in the case of chunked encoding where the message content is encoded into one or more chunks). The protocol inserts a message frame before the message content and consumes it on the receiving end. The message frame contains the following information:

1. **OperationType** that specifies whether the message is a Two-Way Request, Two-Way Response or One-Way message.
2. Request URI that identifies the Server Object.
3. **Content Type** that identifies the serialization format.
4. **ContentDistribution** that specifies whether or not the message content is transmitted as chunked encoding.
5. **Close Connection** header that indicates whether the connection must be closed after reading the message.
6. **Custom Headers** from higher layers.

2.2.3.1 Common Enumerations

2.2.3.1.1 OperationType

The type of the values of this enumeration is UInt16. The enumeration is used in the **OperationType** field of the TCP message frame. The possible values of the enumeration and their meanings are given as follows.

Constant/value	Description
Request 0	Identifies a request message of a Two-Way Method.
OneWayRequest 1	Identifies a request message of a One-Way Method.
Reply 2	Identifies a reply message of a Two-Way Method.

2.2.3.1.2 ContentDistribution

The type of the values of this enumeration is UInt16. The enumeration is used in the **ContentDistribution** field of the TCP message frame. The possible values of the enumeration and their meanings are given as follows.

Constant/value	Description
NotChunked 0	Message content is not written as chunked encoding.
Chunked 1	Message content is written as chunked encoding.

2.2.3.1.3 HeaderToken

The type of the values of this enumeration is UInt16. The enumeration is used to identify the message frame headers. The possible values of the enumeration and their meanings are given as follows.

Constant/value	Description
EndHeaders 0	Identifies the EndHeader.
Custom 1	Identifies a CustomHeader.
StatusCode 2	Identifies a StatusCodeHeader.
StatusPhrase 3	Identifies a StatusPhraseHeader.
RequestUri 4	Identifies the RequestURIHeader.
CloseConnection 5	Identifies a CloseConnectionHeader.
ContentType 6	Identifies a ContentTypeHeader.

2.2.3.1.4 HeaderDataFormat

The type of the values of this enumeration is Byte. A value of the enumeration is contained in a message frame header and identifies the type of the data contained in the header. The possible HeaderDataFormat constants and their meanings are as follows.

Constant/value	Description
Void 0	Indicates that there is no data in the containing header.
CountedString 1	Indicates that the following data is a CountedString.
Byte 2	Indicates that the following data is a BYTE.
UInt16 3	Indicates that the following data is a UINT16.
Int32 4	Indicates that the following data is an INT32.

2.2.3.1.5 StringEncoding

The type of the values of this enumeration is Byte. The enumeration is used in the CountedString type. The values for the StringEncoding constant are as follows.

Constant/value	Description
Unicode 0	Byte that identifies the string as a Unicode-encoded string.
UTF8 1	Byte that identifies the string as a UTF-8-encoded string.

2.2.3.1.6 TCPStatusCode

The type of the values of this enumeration is UInt16. The enumeration is used in the StatusCodeHeader. The possible values and their meanings are as follows.

Constant/value	Description
Success 0	No Error.
Error 1	Error when processing the message frame.

2.2.3.2 Common Types

2.2.3.2.1 CountedString

The strings in the header section are defined as CountedString. The CountedString has a one-byte format identifier, followed by the length of the encoded string in bytes and the encoded bytes.

0	1	2	3	4	5	6	7	8	9	10	11	12	13	14	15	16	17	18	19	20	21	22	23	24	25	26	27	28	29	30	31
StringEncoding										Length																					
...										StringData (variable)																					
...																															

StringEncoding (1 byte): A StringEncoding value that identifies whether the string encoding is UTF-8 or Unicode.

Length (4 bytes): An int32 value that specifies the length of **StringData** in bytes.

StringData (variable): The string data whose length is specified in the **Length** field and encoding specified in the **StringEncoding** field.

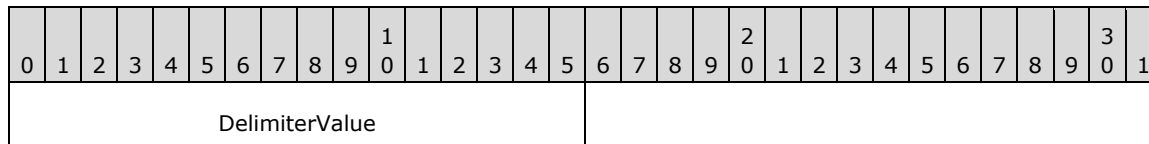
2.2.3.2.2 TcpUriString

This is the Request URI for the TCP transport. The format of the URI MUST conform to the form specified in [RFC3986] section 3 with the following constraints:

- The URI string MUST have the scheme as "tcp".
- The server host address MUST be in the host subcomponent of the URI. It MAY be a Domain Name System (DNS) name as specified in [RFC1034] section 3, an IPv4 address as specified in [RFC1123] section 2.1, or an IPv6 address as specified in [RFC3513] section 2.2.<23>
- There are no fixed ports for this protocol. The URI MUST contain the port subcomponent.
- The Server Object URI path MUST be the path subcomponent.

2.2.3.2.3 ChunkDelimiter

When a message frame contains multiple chunks of message content, an instance of the ChunkDelimiter type is used at the end of each chunk.



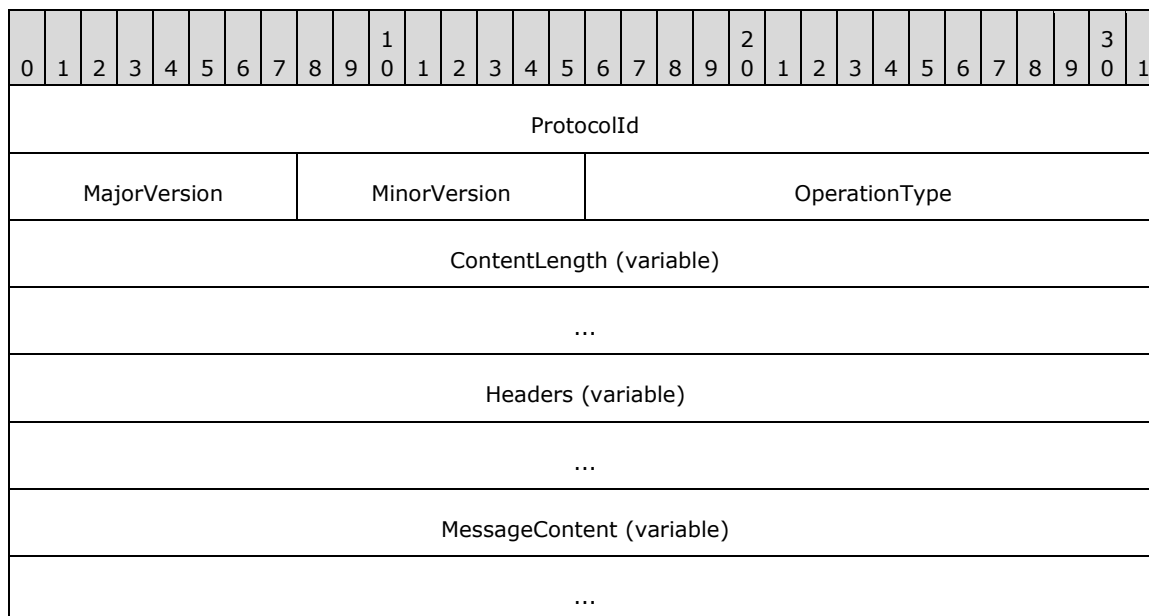
DelimiterValue (2 bytes): This field contains a UInt16 value that indicates a delimiter. Its value MUST be hex 0x0D0A ('\r' '\n').

2.2.3.3 Message Frame Structure

The message body consists of a message frame structure followed by the message content. The protocol allows writing all of the message content in a single chunk after the message frame or as multiple chunks that appear contiguously after the message frame. Each chunk is prefixed by the length of the chunk and the last chunk as a length of 0 bytes.<24>

2.2.3.3.1 Single Message Content

The message content follows the message frame. The message frame's **ContentLength** field indicates this with a value of 0 followed by an int32 value that indicates the length of the message content.



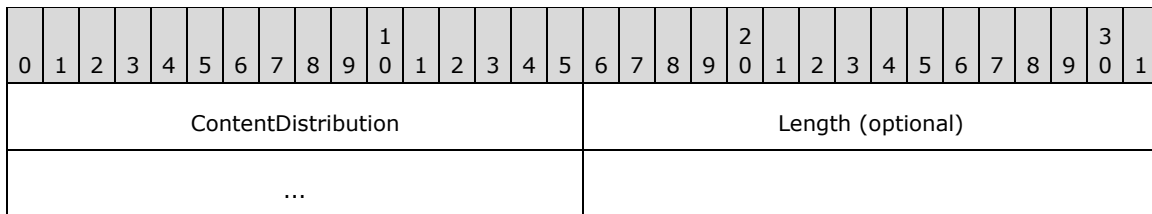
ProtocolId (4 bytes): This field contains an Int32 value that identifies the protocol. Its value MUST be hex 0x54454E2E.

MajorVersion (1 byte): This field contains a byte value that identifies the major version of the protocol. Its value MUST be 1.

MinorVersion (1 byte): This field contains a byte value that identifies the minor version of the protocol. Its value MUST be 0.

OperationType (2 bytes): The field is of type OperationType. This field identifies whether the message is for a One-Way Method or Two-Way Method and, if the message is for a Two-Way Method, the field identifies whether the message is a request message or reply message.

ContentLength (variable): A field that follows the operation field. This field is of variable length. It contains a UInt16 and can optionally contain an Int32.



ContentDistribution (2 bytes): A value that specifies whether the content is chunked or not. Its value MUST be 0.

Length (4 bytes): An Int32 value that specifies the length of the data in the message content. This field MUST be present if the **ContentDistribution** field is 0 (Not Chunked); otherwise, this field MUST NOT be present.

Headers (variable): A combination of frame header packets as defined in section Frame Headers (section 2.2.3.3.3).

MessageContent (variable): A stream of bytes that contains the content. The number of bytes in the stream MUST equal the value of the **Length** field of the **ContentLength** field of the message frame.

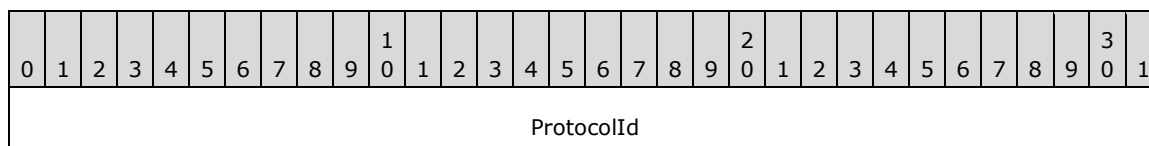
2.2.3.3.2 Chunked Message Content

In this mode, the message content is segmented into multiple parts. The mode is indicated with a value of 1 in the **ContentDistribution** field of the message frame. A chunked message content is shown as follows.



Figure 5: Layout of chunked message content

The message is of the following format.



MajorVersion	MinorVersion	OperationType
ContentDistribution		Headers (variable)
...		
Chunk1Size		
MessageContentChunk1 (variable)		
...		
Trailer1	MoreChunks (variable)	
...		
LastChunkSize		
LastTrailer		

ProtocolId (4 bytes): This field contains an Int32 value that identifies the protocol. Its value MUST be hex 0x54454E2E.

MajorVersion (1 byte): This field contains a byte value that identifies the major version of the protocol. Its value MUST be 1.

MinorVersion (1 byte): This field contains a byte value that identifies the minor version of the protocol. Its value MUST be 0.

OperationType (2 bytes): The field is of type OperationType. This field identifies whether the message is for a One-Way Method or Two-Way Method and, if the message is for a Two-Way Method, identifies whether the message is a request message or reply message.

ContentDistribution (2 bytes): A value that specifies whether the content is chunked or not. Its value MUST be 1.

Headers (variable): A combination of frame header packets as specified in section Frame Headers (section 2.2.3.3.3).

Chunk1Size (4 bytes): This field is of type Int32 and specifies the length of the message content chunk.

MessageContentChunk1 (variable): A segment of the message content data whose length is specified by the last field (**Chunk1Size**). The number of bytes in the MessageContentChunk1 segment MUST equal the value of the **Chunk1Size** field.

Trailer1 (2 bytes): Indicates the end of a chunk. The type of this field is ChunkDelimiter.

MoreChunks (variable): Additional segments of the message content. Each segment consists of a ChunkSize, MessageContentChunk, and Trailer, as previously specified for the first segment. The number of bytes in MessageContentChunk MUST equal the value of the ChunkSize field.

LastChunkSize (4 bytes): This field is of type Int32 and specifies the length of the message content chunk. The size of the last chunk MUST be zero.

LastTrailer (2 bytes): Indicates the end of a chunk. The type of this field is ChunkDelimiter.

2.2.3.3.3 Frame Headers

Message frames SHOULD have one or more frame headers. The last frame header MUST be an EndHeader that marks the end of headers. The following diagram describes the layout of headers in a message frame.

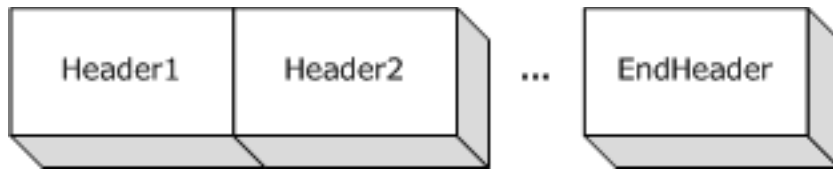


Figure 6: Layout of headers in a message frame

For more information on the Members of the message frame structure, refer to section Message Frame Structure (section 2.2.3.3).

The following sections describe the headers that are available for the Headers and EndHeader sections of this packet.

2.2.3.3.3.1 EndHeader

The EndHeader marks the end of the headers.

0	1	2	3	4	5	6	7	8	9	10	11	12	13	14	15	16	17	18	19	20	21	22	23	24	25	26	27	28	29	30	31
EndHeadersToken																															

EndHeadersToken (2 bytes): The field contains a HeaderToken value that identifies the EndHeader type. Its value MUST be 0.

2.2.3.3.3.2 CustomHeader

The CustomHeader is used for passing implementation-specific information.

0	1	2	3	4	5	6	7	8	9	10	11	12	13	14	15	16	17	18	19	20	21	22	23	24	25	26	27	28	29	30	31
CustomHeaderToken																HeaderName (variable)															
...																															
HeaderValue (variable)																															
...																															

CustomHeaderToken (2 bytes): A HeaderToken enumeration that identifies the custom header. Its value MUST be 1.

HeaderName (variable): A CountedString value that represents the name of the custom header.

HeaderValue (variable): A CountedString value that represents the value of the custom header.

2.2.3.3.3.3 StatusCodeHeader

The StatusCodeHeader is included in reply messages of Two-Way Method invocation. StatusCodeHeader contains the error code for any error that occurred when the server interpreted the request message frame.

0	1	2	3	4	5	6	7	8	9	0	1	2	3	4	5	6	7	8	9	0	1	2	3	4	5	6	7	8	9	0	1	
StatusCodeHeaderToken											DataType											StatusCodeValue										
...																																

StatusCodeHeaderToken (2 bytes): A HeaderToken enumeration that indicates the header type. Its value MUST be 2.

DataType (1 byte): A HeaderDataFormat enumeration indicating the type of the data to be UInt16. Its value MUST be 3.

StatusCodeValue (2 bytes): A TCPStatusCode enumeration that indicates the status code.

2.2.3.3.3.4 StatusPhraseHeader

The StatusPhraseHeader header is optionally included along with StatusCodeHeader with an error code. It contains a human-readable message about the error.

0	1	2	3	4	5	6	7	8	9	0	1	2	3	4	5	6	7	8	9	0	1	2	3	4	5	6	7	8	9	0	1	
StatusPhraseHeaderToken											DataType											StatusPhraseValue (variable)										
...																																

StatusPhraseHeaderToken (2 bytes): A HeaderToken enumeration that indicates the Header type. Its value MUST be 3.

DataType (1 byte): A HeaderDataFormat enumeration that indicates the type of the data to be CountedString. Its value MUST be 1.

StatusPhraseValue (variable): A CountedString value that represents the human-readable message.

This header MAY accompany StatusCodeHeader to indicate the error in human-readable form. A missing header implies a value of empty string.

2.2.3.3.3.5 RequestUriHeader

The RequestUriHeader header contains the **RequestURI**.

0	1	2	3	4	5	6	7	8	9	0	1	2	3	4	5	6	7	8	9	0	1	2	3	4	5	6	7	8	9	0	1	
RequestUriHeaderToken											DataType											UriValue (variable)										
...																																

RequestUriHeaderToken (2 bytes): A HeaderToken enumeration that indicates the Header type. Its value MUST be 4.

DataType (1 byte): A HeaderDataFormat enumeration that indicates the type of the data to be CountedString. Its value MUST be 1.

UriValue (variable): A TcpUriString value that represents the RequestURI.

The requested URI can be a relative or an absolute URI.

2.2.3.3.3.6 CloseConnectionHeader

The CloseConnectionHeader packet header indicates that the receiver is not supposed to cache the connection after processing message containing this header.

0	1	2	3	4	5	6	7	8	9	10	11	12	13	14	15	16	17	18	19	20	21	22	23	24	25	26	27	28	29	30	31
CloseConnectionHeaderToken																DataType															

CloseConnectionHeaderToken (2 bytes): A HeaderToken enumeration that indicates the Header type. Its value MUST be 5.

DataType (1 byte): A HeaderDataFormat enumeration that indicates the type of the data. Its value MUST be 0 indicating that there is no Data for this record.

2.2.3.3.3.7 ContentTypeHeader

The ContentTypeHeader header indicates the serialization format of the message content.

0	1	2	3	4	5	6	7	8	9	10	11	12	13	14	15	16	17	18	19	20	21	22	23	24	25	26	27	28	29	30	31																
ContentTypeHeaderToken																DataType																ContentTypeValue (variable)															
...																																															

ContentTypeHeaderToken (2 bytes): A HeaderToken enumeration that indicates the Header type. Its value MUST be 6.

DataType (1 byte): A HeaderDataFormat enumeration that indicates the type of the data to be CountedString. Its value MUST be 1.

ContentTypeValue (variable): A CountedString value that represents the content-type of the message content.

2.2.3.3.3.8 UnknownHeader

An UnknownHeader header has an unknown HeaderToken. It is meant for handling the addition of headers in future. An implementation MUST NOT write this header. However this header MUST be ignored on read.

0	1	2	3	4	5	6	7	8	9	10	11	12	13	14	15	16	17	18	19	20	21	22	23	24	25	26	27	28	29	30	31																
UnknownHeaderToken																DataType																DataValue (variable)															

...

UnknownHeaderToken (2 bytes): An UInt16 value. Its value MUST be greater than 6.

DataType (1 byte): A HeaderDataFormat enumeration that indicates the type of the data.

DataValue (variable): The type of this field is as specified in the table in HeaderDataFormat.

2.2.4 SOAP Serialization Format

2.2.4.1 SOAP Action String

A SOAP Action string is a URI that is used as the SOAP Action field in the HTTP header as specified in [SOAP1.1] section 6. The SOAP action is derived from the Remote Method. An implementation MUST define its own mechanism to create a SOAP action for the given Remote Method. The client and server MUST agree on the mechanism so that a given Remote Method ends up with the same SOAP action on both sides.<25>

2.2.4.2 Remoting Type Name Encoding

SOAP XML messages use qualified names to identify Remoting Type names, which consist of an XML namespace and a local name. An implementation MUST define its own mechanism to derive the XML namespace and local name for the given Remoting Type. The client and the server MUST agree on the mechanism so that a given Remoting Type ends up with the same qualified name on both sides.<26>

2.2.4.3 Method Name Encoding

As specified in [SOAP1.1] section 7, the **Remoting Method** MUST be mapped to a SOAP struct. The name of the struct MUST be a qualified name and MUST be distinct for request and response. An implementation MUST define its own mechanism to derive the XML namespace and local name for the request and response. The client and the server MUST agree on the mechanism so that a given method ends up with the same qualified names on both sides.<27>

2.2.4.4 Method Signature SOAP Header

The Method Signature in SOAP is serialized as an element whose schema is as follows.

```
<xs:schema xmlns:tns="http://schemas.microsoft.com/clr/soap/
messageProperties" elementFormDefault="qualified"
targetNamespace="http://schemas.microsoft.com/clr/soap/messageProperties"
xmlns:xs="http://www.w3.org/2001/XMLSchema">
  <xs:element name="__MethodSignature">
    <xs:simpleType>
      <xs:list itemType="xs:QName" />
    </xs:simpleType>
  </xs:element>
</xs:schema>
```

MethodSignature is an element whose local name is "__MethodSignature" and whose XML namespace is "http://schemas.microsoft.com/clr/soap/messageProperties". The value of the header contains a list of qualified names separated by a SPACE (x20). Each qualified name identifies the Remoting Type of a parameter encoded as specified in the Remoting Type Name Encoding section.

2.2.4.5 Call Context SOAP Header

The Call Context MUST be encoded as a SOAP header element. The element's local name MUST be "`__CallContext`" and its XML namespace MUST be "`http://schemas.microsoft.com/clr/soap/messageProperties`". It MUST be encoded as a struct, as specified in [SOAP1.1] section 5. The name of the struct MUST be "LogicalCallContext" from "`http://schemas.microsoft.com/clr/ns/System.Runtime.Remoting.Messaging`" namespace. Each name-value pair of the Call Context MUST be mapped to a Member name and a Member value of the struct. The Member values MUST be encoded as specified in [SOAP1.1] section 5.

2.2.5 .NET Remoting Description Notation

This section specifies a description notation to describe the metadata of the Remoting Data Model. The notation is meant for higher-level services such as [MS-NRSL] that are layered on top of this protocol to define their protocol in a remote procedure call (RPC) style.

The notation provides a way to describe the following components of the Remoting Data Model that is defined in Abstract Data Model (section 3.1.1).

Primitive Types are mapped to the following keywords in the notation:

Data model type	Notation keyword
BOOLEAN	bool
BYTE	Byte
INT8	SByte
INT16	Int16
INT32	Int32
INT64	Int64
UINT16	UInt16
UINT32	UInt32
UINT64	UInt64
Decimal	Decimal
Char	Char
String	String
Double	Double
Single	Single
TimeSpan	TimeSpan
DateTime	DateTime

A Class is defined with the keyword *class* followed by the name of the Class. The Generic Arguments of a Class are defined inside a pair of angle brackets '`<`', '`>`' following the name of the Class and are separated by commas. The Base Class of a Class is defined following the Generic Arguments and is separated from the Generic Argument with a colon '`:`'. The body of the Class is defined inside a pair of braces '`{`', '`}`'. A Class definition consists of a list of Member definitions. Each Member definition

consists of a Remoting Type name followed by the name of the Member terminated with a semicolon ';':

An Array is constructed by appending opening and closing brackets '['] to the item Remoting Type name. The Rank of an Array is indicated by putting a comma ',' inside the brackets '[']'. The number of commas inside a pair of brackets '['] is one less than the value of the Rank. For example, an Array with a Rank of 2 is '[,]'. The notation does not have a way to represent the lower bounds or upper bounds of an Array.

An Enum is defined with the keyword *enum* followed by the name of the Enum. The underlying Remoting Type of the Enum is defined following the Enum name separated by a colon ':'. The Members of the Enum are defined inside a pair of braces '{, }' following the name of the Enum. Each Member definition consists of a Member name followed by an '=' and the value of the Member. Member definitions are separated by a ','.

A Server Interface is defined with the keyword *interface* followed by the name of the Server Interface. The Generic Arguments of the Server Interface are defined inside a pair of angle brackets '<, >' following the name of the Server Interface and are separated by commas. The Base Interfaces are defined following the Generic Arguments and are separated from the Generic Arguments with a colon ':'. The Base Interfaces are separated by a comma ','. The body of the Server Interface is defined inside opening and closing braces '{, }'. A Server Interface definition consists of a list of Method and Member definitions.

Each Remote Field is defined as a Member consisting of a Remoting Type name followed by the name of the Remote Field terminated with a semicolon ';':

Each Remote Method definition consists of a Remoting Type name followed by the name of the Remote Method. The Generic Arguments of the Remote Method are defined inside a pair of angle brackets '<, >' following the name of the Remote Method and are separated by commas. The Arguments of the Remote Method are defined inside a pair of parentheses '(,)' following the Generic Arguments and are separated by commas. Each Arguments definition consists of the name of the Remoting Type of an Arguments followed by the Arguments name. An Argument can be prefixed with a 'out' or 'ref' keyword to indicate an out or ref Arguments. If neither 'out' nor 'ref' is specified, then it indicates the Argument to be an 'in' Argument.

A Delegate is defined with the keyword *delegate* followed by the declaration of the Remote Method.

The grammar for the subset used by this specification and by [MS-NRSL] is specified in the following table with the ABNF syntax specified in [RFC4234].

Grammar		
CompilationUnit	=	0*(Namespace)
Namespace	=	'namespace' NamespaceIdentifier '{' 0*(Class / Interface / Enum / Delegate) '}'
Class	=	'class' IDENTIFIER TypeVariableList Base ClassBody
ClassBase	=	0*1(':' TypeIdentifier)
ClassBody	=	'{' 0*(Member) '}'
Member	=	TypeName IDENTIFIER ';'
Interface	=	'interface' IDENTIFIER TypeVariableList InterfaceBase InterfaceBody
InterfaceBase	=	0*1(':' TypeIdentifier 0*(',' TypeIdentifier))
InterfaceBody	=	'{' 0*(Method / Member) '}'
Method	=	TypeName IDENTIFIER TypeVariableList ArgumentList

Grammar		
ArgumentList	=	'(' 0*1(Argument 0*(',')))' ';' ;'
Argument	=	(0*1('ref' / 'out')) TypeName IDENTIFIER
Enum	=	'enum' IDENTIFIER ':' EnumBase EnumBody
EnumBase	=	NumericType
EnumBody	=	'{' 0*1(EnumMember 0*(',')) '}'
EnumMember	=	IDENTIFIER '=' 1*(DIGIT)
Delegate	=	'delegate' Method
TypeVariableList	=	0*1('<' IDENTIFIER 0*(',') '>')
TypeName	=	(TypeIdentifier / PrimitiveType)
Dimension	=	0*1('[' 0* (',') ']')
TypeIdentifier	=	NamespaceIdentifier TypeArgumentList
TypeArgumentList	=	0*1(',' TypeName 0*(',') '.') <28>
PrimitiveType	=	NumericType / 'String' / 'Decimal' / 'TimeSpan' / 'DateTime' / 'Double' / 'Single' / 'Char' / 'Bool'
NumericType	=	'SByte' / 'Int16' / 'Int32' / 'Int64' / 'Byte' / 'UInt16' / 'UInt32' / 'UInt64'
NamespaceIdentifier	=	0*(IDENTIFIER '.') IDENTIFIER
IDENTIFIER	=	See section IdentifierName (Identifier Name)

3 Protocol Details

3.1 Common Details

3.1.1 Abstract Data Model

This section describes a conceptual model of possible data organization that an implementation maintains to participate in this protocol. The described organization is provided to facilitate the explanation of how the protocol behaves. This document does not mandate that implementations adhere to this model as long as their external behavior is consistent with that described in this document.

The Remoting Data Model represents higher-layer-defined data structures and values as directed edge-labeled graphs of nodes. Also, the Remoting Data Model can represent a Remote Method invocation and the Return Value or error information from the invocation. Providing a mapping to any specific programming language is beyond the scope of this document. Section 2.2.5 contains an informal notation to describe the Remoting Data Model.

Mapping to Binary Format (section 3.1.5.1) provides a mapping to binary format structures from the Remoting Data Model. Mapping RDM to SOAP Format (section 3.1.5.2) provides a mapping between the Remoting Data Model and the SOAP Data Model.

Remoting Type

A Remoting Type defines the structure of data. Class, Array, Enum, Primitive Type, Server Interface, and Server Type are different kinds of Remoting Types. Remoting Types are contained in a Library. All Remoting Types are identified by a name that is unique when qualified with the name of the containing Library. Remoting Type names are case sensitive. A Remoting Type name consists of a namespace and a name. The format of the name of a Remoting Type is defined in RemotingTypeName (section 2.2.1.2).

Library

A Library is a named unit that contains a collection of Remoting Types. The names of the Remoting Types in a Library are unique within the Library. The Library name includes a version, culture string, and a hash value that together uniquely identify the Library. The format of the name of a Library is defined in LibraryName (section 2.2.1.3).

System Library

A designated library that can be used to reduce the wire size for commonly used data types. The name of the Library <30> is agreed to by both the server and the client implementations of the protocol. The protocol provides mechanisms to convey the Library information in an implicit way. For more information about the specific mechanisms, see section 2.2.4.2 in this document; also see BinaryTypeEnum and Class Record definitions in [MS-NRBF].

Data Value

A Data Value is an instance of a Remoting Type that can be a Class, Array, Enum, **Primitive** or Server Type. Data Values are logically structured as directed edge-labeled graphs of nodes where nodes are also Data Values. Instances of Primitive Types and Enums have no outbound edges. Instances of Server Types, Arrays, and Classes have outbound edges. A single-reference graph node has a single inbound edge. A multireference graph node has multiple inbound edges.

A Data Value is defined to be Assignable to a Server Type if one of the following is true:

- The Data Value is of the specified Server Type.

- The Data Value is Null Object and the specified Remoting Type is a Class, Array, String, Server Interface, or Server Type.
- The Remoting Type of the Data Value is specified to be Assignable to the specified Remoting Type.
- If a Remoting Type is Assignable to a Class, then it is Assignable to its Base Class.

Primitive Types

Primitive Types are predefined Remoting Types. The Remoting Data Model supports the following Primitive Types specified in [MS-DTYP]:

- BOOLEAN
- BYTE
- INT8
- INT16
- INT32
- INT64
- UINT16
- UINT32
- UINT64

The Remoting Data Model supports the Type Decimal specified in [MS-OAUT].

It also supports the following Primitive Types:

- **Char:** Represents a Unicode character value.
- **String:** Represents a string of Unicode characters.
- **Double:** Represents a 64-bit double-precision floating-point value. A double value ranges from negative 1.79769313486232e308 to positive 1.79769313486232e308.
- **Single:** Represents a 32-bit single-precision floating-point value. A Single value ranges from -3.402823e38 to positive 3.402823e38.
- **TimeSpan:** Represents time duration as an integer value that specifies the number of 100 nanoseconds. The values range from -10675199 days, 2 hours, 48 minutes and 05.4775808 seconds to 10675199 days, 2 hours, 48 minutes and 05.4775807 seconds.
- **DateTime:** Represents an instant of time as an INT64 value that specifies the number of 100 nanoseconds that had elapsed since 12:00:00, January 1, 0001. The value can represent time instants in a granularity of 100 nanoseconds until 23:59:59.9999999, December 31, 9999. A DateTime value can also indicate information about the time zone as follows.

Value	Meaning of field 'ticks'
Unspecified	Time zone information is not specified.
UTC	The time specified is in the Coordinated Universal Time (UTC) time zone.
Local	The time specified is in the local time zone.<31>

Null Object

Null Object is a special value that can be used in place of an instance of a Server Type, Class, Array, or String. Null Object indicates that no instance is being specified.

Class

A Class is a Remoting Type that contains a set of named values. The named values are called Members of the Class. Every Member of a Class is defined to be of a specific Remoting Type called the Member Type. The value of a Member is a Data Value that is Assignable to the Member Type. See Data Value for rules about when a Data Value is Assignable to a Remoting Type.

The Remoting Data Model supports a Class extending another Class. The extended Class is called the Base Class. The extending Class is called the Derived Class. A Derived Class can be extended by another Class. For example Class B extends Class A and Class C extends Class B. In this case both Class A and B are Base Classes of Class C and both Class B and C are Derived Classes of A. A Derived Class inherits the Members of its Base Classes. If a Class does not extend any Class then it is considered to implicitly extend a Class called System.Object. System.Object is a Class that has no Members.

Array

An Array is a Remoting Type that is an ordered collection of items. The items are identified by their position. Position is determined by a set of integer indices. The number of indices that are required to represent the position is called the Rank of the Array. An Array with Rank equal to 1 is said to be single-dimensional; an Array with Rank greater than 1 is said to be multidimensional. The Array supports specifying the lower and the upper bounds of the indices. Unless a lower bound is specified, an index value's lower bound is 0. Unless an upper bound is specified an index has no upper bounds.

An Array also specifies the Remoting Type of its items, called the Item Type. In an instance of an Array, the value of an item is a Data Value that is Assignable to the Item Type. See Data Value for rules about when a Data Value is Assignable to a Remoting Type.

Enum

Enum (short for Enumeration) is a Primitive Type whose values are constrained to a set of values. The Primitive Type is considered to be the underlying Remoting Type of the Enum. Each value of the Enum has a name associated with it that is unique within the values of the Enum.

Server Interface

A Server Interface is a Remoting Type that contains a collection of Remote Methods and Remote Field declarations. A Remote Method defined in a Server Interface does not have an implementation. A Server Interface does not have any instances.

Server Type

A Server Type is a Remoting Type that implements the Remote Methods in one or more Interfaces. The Remoting Data Model allows Server Types that extend Server Types. An Extending Server Type inherits the Methods of the extending Server Type.

Server Object

A Server Object is an instance of a Server Type.

Proxy

A Proxy is an instance of a Server Type that forwards references to Remote Methods to the Server Object for execution.

Remote Field

A Remote Field is a remotely accessible field declared in a Server Interface or a Server Type. A definition of a Remote Field includes the following:

- **Name:** A String value representing the name of the Remote Field.
- **Type:** The Remoting Type of the value contained by the field Remote Field.

Remote Method

A Remote Method is a remotely callable method declared in a Server Interface or a Server Type. A definition of a Remote Method includes the following:

- **Name:** A String value representing the name of the Remote Method.
- **Arguments:** An ordered collection of Arguments where each Argument has a name, direction, and a Remoting Type. The direction is defined as follows:
 - **in:** The Arguments appears in the Remote Method invocation request.
 - **out:** The Arguments appears in the Remote Method invocation reply.
 - **ref:** The Arguments appears in both the Remote Method invocation request and the Remote Method invocation reply.
- **Return Type:** The Remoting Type of the value returned by the Remote Method.
- **Method Type:** An enumeration indicating whether the Remote Method is One-Way or Two-Way. A One-Way Method invocation does not expect any replies.

A Method is uniquely identified in a Server Interface or a Server Type with the name of the Method and the ordered collection of Remoting Types of the Arguments, called the Method Signature.

The Remote Method invocation request consists of the following:

- **Input Arguments:** An ordered collection of named Data Values, one for each Argument whose direction is 'in' or 'ref'. A Data Value corresponding to an Argument MUST be Assignable to the Remoting Type of the Argument. See Data Value for rules about when a Data Value is Assignable to a Remoting Type.
- **CallContext:** A collection of name-value pairs. The collection supports any valid String as the name and any Data Value as its value. The names MUST be unique in the collection.
- **Method Signature:** An ordered collection of Remoting Types. Each Remoting Type in the collection corresponds to an Argument of the Method.

The information returned by a Remote Method consists of the following:

- **Return Value:** A Data Value that is Assignable to the Return Type of the Method.
- **Output Arguments:** An ordered collection of named Data Values, one for each Argument whose direction is 'out' or 'ref'. A Data Value corresponding to an Argument MUST be Assignable to the Remoting Type of the Argument. See Data Value for rules about when a Data Value is Assignable to a Remoting Type.
- **Exception:** A Data Value that is Assignable to the System.Exception Class. The structure of System.Exception is specified in section 2.2.2.7.
- **CallContext:** A collection of name-value pairs. The collection supports any valid String as the name and any Data Value as its value. The names MUST be unique in the collection.

An Exception is returned to indicate a failure in the execution of a Remote Method. When a Remote Method's execution fails there are no Return Values or Output Arguments.

Generic Remote Method

A Generic Remote Method is a Remote Method that is parameterized by one or more Remoting Types. The method caller must provide the actual Remoting Types (in addition to the Input Arguments). It adds the following to the definition of a Method:

- **Generic Method Arguments:** An ordered collection of Generic Arguments

The Remote Method invocation request consists of the following in addition to what is defined in

- **Generic Argument Values:** An Array of System.Type classes that contains the values for the parameterized Remoting Types. <32>

Delegate

A Delegate is a part of the Remoting Data Model. It contains references to one or more Remote Methods. A Delegate has a fixed Method Signature, and each Remote Method referenced by the Delegate has the same Method Signature.

Client Connection State Diagram

The following state diagram captures the state transitions during the lifetime of a client connection.

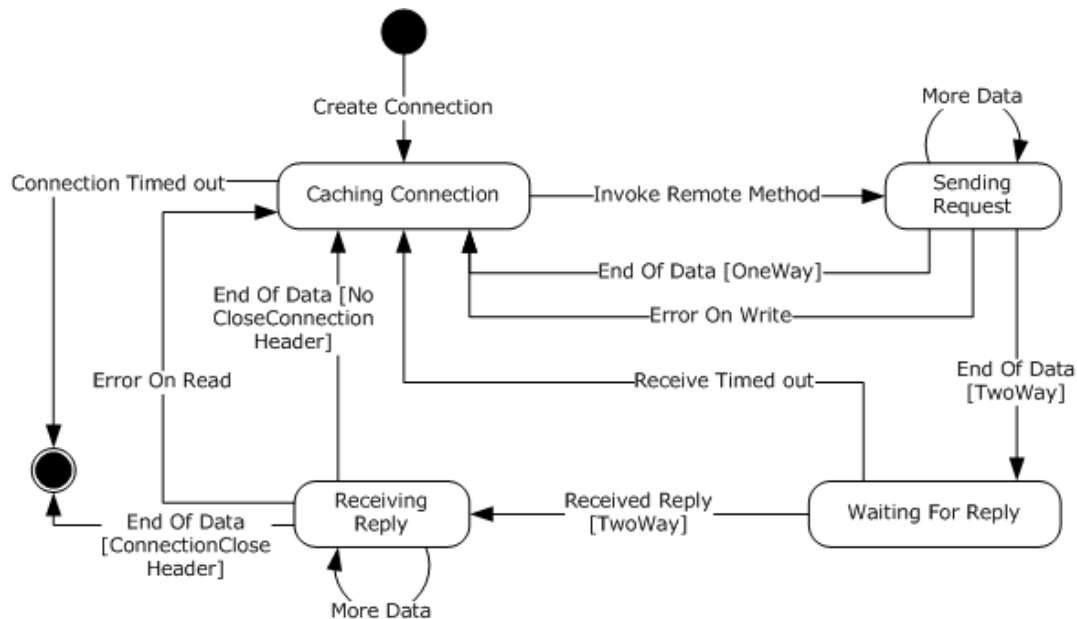


Figure 7: State transitions during the lifetime of a client connection

3.1.2 Timers

There are no timers that are common to the server and the client.

3.1.3 Initialization

There is no initialization that is common to the server and the client.

3.1.4 Higher-Layer Triggered Events

There are no higher-layer triggered events that are common to the server and the client.

3.1.5 Message Processing Events and Sequencing Rules

3.1.5.1 Mapping to Binary Format

3.1.5.1.1 Mapping Remote Method Request

Information required to perform a Remote Method invocation consists of a Server Type or Server Interface name, a Remote Method name, Input Arguments, Generic Arguments values, Method Signature, and a Call Context.

The implementation MAY construct an Array of System.Object classes called Message Properties in order to transmit implementation-specific information to the server. The Array, if constructed, MUST contain items whose Remoting Types are instances of the DictionaryEntry Class as specified in DictionaryEntry (section 2.2.2.6). Each DictionaryEntry item MUST contain the name and the value of the implementation-specific information. <33>

The request is serialized into the serialization stream by using the records specified in [MS-NRBF], as follows:

A SerializationHeaderRecord record as specified in [MS-NRBF] MUST be serialized. The Remote Method invocation request is serialized using a BinaryMethodCall record and a MethodCallArray record. The Server Type or the Server Interface name MUST be serialized in the **TypeName** field of the BinaryMethodCall record. The Remote Method name is serialized in the **MethodName** field of the BinaryMethodCall record. The MethodCallArray record is conditional and the rules for the presence of the MethodCallArray record are given in the following table. The table specifies the rules for serializing the request and the values for the **MessageEnum** field of the BinaryMethodCall record.

Item name	Condition	MessageEnum field bits	Item's serialized location
Input Arguments	No Arguments	<i>NoArgs</i>	-NA-
Input Arguments	All Arguments are primitive	<i>ArgsInLine</i>	<i>Args</i> field of the BinaryMethodCall record
Input Arguments	At least one nonprimitive Argument and no GenericArgumentsValues, MethodSignature, CallContext, or Message Properties	<i>ArgsIsArray</i>	A separate ArraySingleObject record that follows the BinaryMethodCall record
Input Arguments	Otherwise	<i>ArgsInArray</i>	An item in the MethodCallArray record
GenericArgumentsValues	Absent	<i>0</i>	-NA-
GenericArgumentsValues	Present	<i>Generic Method</i>	An item in the MethodCallArray record
Method Signature	Absent	<i>0</i>	-NA-
Method Signature	Present	<i>MethodSignatureInArray</i>	An item in the MethodCallArray record
Call Context	LogicalCallID Only	<i>ContextInLine</i>	<i>CallContext</i> field of the BinaryMethodCall record

Item name	Condition	MessageEnum field bits	Item's serialized location
Call Context	Otherwise	<i>ContextInArray</i>	An item in the MethodCallArray record
Message Properties	Absent	0	-NA-
Message Properties	Present	<i>PropertiesInArray</i>	An item in the MethodCallArray record

If none of the items in the preceding table ended up in a MethodCallArray record then the record MUST be not present.

Following this, the Data Values contained in the Input Arguments, Generic Arguments values, Method Signature, Call Context, and Message Properties MUST be serialized. Each node in the Data Value graph MUST be iterated and each node MUST be serialized exactly once as specified in the following sections.

3.1.5.1.2 Mapping Remote Method Invocation Reply

The Remote Method invocation reply consists of Return Value, OutputArguments, Exception, and Call Context.

The implementation MAY construct an Array of System.Object classes called Message Properties in order to transmit implementation-specific information to the client. The Array, if constructed, MUST contain items whose Remoting Types are instances of the DictionaryEntry Class as defined in DictionaryEntry (section 2.2.2.6). Each DictionaryEntry item MUST contain the name and the value of the implementation-specific information. <34>

The reply is serialized into the serialization stream by using the records defined in [MS-NRBF], as follows:

A SerializationHeader record as defined in [MS-NRBF] MUST be serialized. Following the SerializationHeader record, the Remote Method invocation reply MUST be serialized using a BinaryMethodReturn record and a MethodReturnCallArray record. The MethodReturnCallArray record is conditional and the rules for the presence of the MethodReturnCallArray record are given in the following table. The table specifies the rules for serializing reply and the values for the **MessageEnum** field of the BinaryMethodReturn record.

Item name	Condition	MessageEnum bit	Item's serialized location
Return value	None	ReturnValueVoid	-NA-
Return value	Null	NoReturnValue	-NA-
Return value	Primitive Value	ReturnValueInline	ReturnValue field of the BinaryMethodReturn record
Return value	non-Primitive Value	ReturnValueInArray	An item in the MethodReturnCallArray record
Output Argument	None	NoArgs	-NA-
Output	All Primitive	ArgsInLine	Args field of the

Item name	Condition	MessageEnum bit	Item's serialized location
Argument			BinaryMethodReturn record
Output Argument	At least one non-primitive Argument and no Exception, Call Context, or Message Properties	ArgsIsArray	A separate ArraySingleObject record that follows the BinaryMethodReturn record
Output Argument	Otherwise	ArgsInArray	An item in the MethodReturnCallArray record
Exception	Absent	0	-NA-
Exception	Present	ExceptionInArray	An item in the MethodReturnCallArray record
Call Context	LogicalCallID Only	ContextInLine	The Call Context field of the BinaryMethodReturn record
Call Context	Otherwise	ContextInArray	An item in the MethodReturnCallArray record
Message Properties	Absent	0	-NA-
Message Properties	Present	PropertiesInArray	An item in the MethodReturnCallArray record

If none of the items in the preceding table ended up in the MethodReturnCallArray record, then the record MUST be not present.

Following this, the Data Value contained in the Return Value, OutputArguments, Exception, Call Context, and Message Properties MUST be serialized. Each node in the Data Value graph MUST be iterated and each node MUST be serialized exactly once as specified in the following sections.

3.1.5.1.3 Mapping Remote Field Get

An implementation MUST implement getting the value of a Remote Field as a Remote Method invocation of the method FieldGetter as specified in [MS-NRSL] section 3.5.4.1, with the following constraints:

- The fieldName Argument MUST be set to the name of the Remote Field.
- The typeName Argument MUST be set to the name of the Server Interface containing the Remote Field.

The output value of the val Argument MUST be used as the Field value.

3.1.5.1.4 Mapping Remote Field Set

An implementation MUST implement setting the value of a Remote Field as a Remote Method invocation of the method FieldSetter as specified in [MS-NRSL] section 3.5.4.2, with the following constraints:

- The fieldName Argument MUST be set to the name of the Remote Field.
- The typeName Argument MUST be set to the name of the Server Interface containing the Remote Field.
- The val Argument MUST be set to the new value of the field.

3.1.5.1.5 Mapping Library Information

The following records defined in [MS-NRBF] reference a Library:

- BinaryArray
- ClassWithMembersAndTypes

Each of the preceding records references a BinaryLibrary record by **LibraryId** field. Before serializing any of the preceding records, the referenced BinaryLibrary record **MUST** be written.

3.1.5.1.6 Mapping Class Instances

A Class instance **MUST** be serialized by using the Class records specified in [MS-NRBF].

The first instance in the serialization stream of a Class in a Library other than the System Library **SHOULD** be serialized by using the ClassWithMembersAndTypes record. The ClassWithMembersAndTypes record allows a receiver to de-serialize the Class instance without requiring the receiver to have any out-of-band information about the Class. If the Member Type information is available to the receiver through an implementation-specific out-of-band mechanism, then a sender **MAY** perform serialization by using the ClassWithMembers record in order to reduce the size of data transmitted.

If the receiver is unable to process a ClassWithMembers record because it does not have the Member Type information for the record, the receiver **MUST** treat the case as a serialization error and abort processing. Sections 3.2.5.1.3 and 3.3.4.2.4 specify the error handling mechanism for the server and the client implementation, respectively.

Subsequent instances of the Class **SHOULD** be serialized by using the ClassWithId record but **MAY** be serialized like the first instance of the Class.<35>

The first instance in the serialization stream of a Class in the System Library **SHOULD** be serialized by using the SystemClassWithMembersAndTypes record. The SystemClassWithMembersAndTypes record allows a receiver to de-serialize the Class instance without requiring the receiver to have any out-of-band information about the Class. If the Member Type information is available to the receiver through an implementation-specific out-of-band mechanism, then a sender **MAY** perform serialization by using the SystemClassWithMembers record in order to reduce the size of data transmitted.

If the receiver is unable to process a SystemClassWithMembers record because it does not have the Member Type information for the record, the receiver **MUST** treat the case as a serialization error and abort processing. Sections 3.2.5.1.3 and 3.3.4.2.4 specify the error handling mechanism for the server and the client implementation respectively.

The first instance in the serialization stream of a Class in the System Library **MAY** instead be serialized using a ClassWithMembersAndTypes or ClassWithMembers record. In such cases the Library name **MUST** be serialized as specified in section 3.1.5.1.5 and the Library Identifier part of the Library name as specified in section 2.2.1.3 **MUST** be the name of the System Library.

Subsequent instances of the Class **SHOULD** be serialized using the ClassWithId record but **MAY** be serialized like the first instance of the Class.<36>

The names of the Class Members whose values are serialized are set in the **MemberNames** field of the ClassInfo structure of the Class records. For ClassWithMembersAndTypes and SystemClassWithMembersAndTypes records, the **MemberTypeInfo** field **MUST** be set by using the Member Types of the Class as specified in the MemberTypeInfo structure.

The values of all the Members **MUST** be serialized following this record. The record types that **MUST** be used for various types of Member values are as follows.

Data value type	Binary record
Primitive Type	MemberPrimitiveUnTyped, if MemberType was Primitive Type MemberPrimitiveTyped, if MemberType was System.Object
String	BinaryObjectString or MemberReferenceRecord
Class	MemberReference or Class records
Array	Member ReferenceRecord
Enum	MemberReference or Class records

3.1.5.1.7 Mapping Array Instances

An Array with more than one dimension or with a dimension whose first index is not 0 MUST be serialized by using the BinaryArray record.

A single-dimensional Array of string whose lower bound is 0 SHOULD be serialized by using the ArraySingleString record. The Array MAY be serialized by using the BinaryArray record.

A single-dimensional Array of primitive whose lower bound is 0 SHOULD be serialized by using the ArraySinglePrimitive record. It MAY be serialized by using the BinaryArray record.

A single-dimensional Array of System.Object whose lower bound is 0 MAY be serialized as an ArraySingleObject record. The Array MAY be serialized by using the BinaryArray record.<37>

The values of the Array items MUST be serialized following the BinaryArray, ArraySingleString, ArraySinglePrimitive or ArraySingleObject record. The record types that MUST be used for various types of Array item values are given in the table in the Mapping Class Instances section.

3.1.5.1.8 Mapping Primitive Values

Primitive Values in Classes and Arrays MUST be serialized as part of MemberPrimitiveUnTyped or MemberPrimitiveTyped. If the value is part of Arguments inlined in the BinaryMethodCall or BinaryMethodReturn record then they MUST be serialized as ValueWithCode.

3.1.5.1.9 Mapping Enum Values

An Enum MUST be serialized as a Class with a single Member called "value__". The Member Type MUST be the underlying Primitive Type of the Enum.

3.1.5.1.10 Mapping Delegate

A Delegate MUST be serialized as the DelegateSerializationHolder Class, as specified in section 2.2.2.15. Each Remote Method of the Delegate is mapped to a Method and each Proxy is mapped to a Target in the DelegateSerializationHolder instance.

3.1.5.1.11 Mapping String Values

String values in Classes and Arrays MUST be serialized as part of BinaryObjectString, as specified in [MS-NRBF]. If the value is part of Arguments inlined in the BinaryMethodCall or BinaryMethodReturn record, as specified in [MS-NRBF], then they MUST be serialized as StringValueWithCode, as specified in [MS-NRBF].

3.1.5.1.12 Mapping Null Object

A Null Object in Classes and Arrays MUST be serialized using ObjectNull, ObjectNullMultiple or ObjectNullMultiple256 records, as specified in [MS-NRBF]. A Null Object in Arguments inlined in the BinaryMethodCall or BinaryMethodReturn record, as specified in [MS-NRBF], MUST be serialized as ValueWithCode with the value of the **PrimitiveTypeEnum** field set to 17 (Null).

3.1.5.2 Mapping Remoting Data Model to SOAP Format

3.1.5.2.1 Mapping Remote Method Invocation

The message content of a Remote Method call MUST be encoded as a SOAP Envelope as specified in [SOAP1.1] section 4:

- The encodingStyle attribute SHOULD be written as part of the SOAP Envelope element with a value of `http://schemas.xmlsoap.org/soap/encoding/`.
- The Call Context of a Remote Method call MUST be encoded as specified in Call Context SOAP Header (section 2.2.4.5)
- The implementation MAY add implementation-defined SOAP header elements (children of the soap:Header element) to the SOAP request in order to transmit implementation-specific information to the server. Any implementation-defined SOAP header elements SHOULD use the namespace "`http://schemas.microsoft.com/clr/soap/messageProperties`". <38>
- If a Method Signature is present then it MUST be mapped as a SOAP header element as specified in Method Signature SOAP Header (section 2.2.4.4) with additional constraint that the order of the qualified names MUST match the parameter order.
- The qualified name of the method struct MUST be derived as specified in Method Name Encoding (section 2.2.4.3).
- The Input Arguments MUST be mapped as specified in [SOAP1.1] section 7.1.
- Each Data Value in the Arguments MUST be encoded by using the SOAP encoding style. The specification for SOAP encoding is specified in [SOAP1.1] section 5.

3.1.5.2.2 Mapping Remote Method Invocation Reply

The message content of a Remote Method invocation reply MUST be encoded as a SOAP Envelope as specified in [SOAP1.1] section 4:

- The encodingStyle attribute SHOULD be written as part of the SOAP Envelope element with a value of `http://schemas.xmlsoap.org/soap/encoding/`.
- The Call Context of a Remote Method invocation reply MUST be encoded as specified in Call Context SOAP Header (section 2.2.4.5).
- The implementation MAY add implementation-defined SOAP header elements (children of the soap:Header element) to the SOAP response in order to transmit implementation-specific information to the client. Any implementation-defined SOAP header elements SHOULD use the namespace "`http://schemas.microsoft.com/clr/soap/messageProperties`". <39>
- If the method was executed without any Exception, then the Return Value and the Output Arguments MUST be mapped as specified in section 7.1 of [SOAP1.1]. <40>
- Each Data Value in the Return Value and Arguments MUST be encoded by using SOAP encoding. The specification for SOAP encoding can be found in [SOAP1.1] section 5.

If the method resulted in an Exception, then the Exception MUST be encoded as a SOAP fault as specified in the Mapping Exception section.

3.1.5.2.3 Mapping Remote Field Get

An implementation MUST implement getting the value of a Remote Field as a Remote Method invocation of the method FieldGetter as specified in [MS-NRSL] section 3.5.4.1, with the following constraints:

- The fieldName Argument MUST be set to the name of the Remote Field.
- The typeName Argument MUST be set to the name of the Server Interface that contains the Remote Field.

The output value of the val Argument MUST be used as the Remote Field value.

3.1.5.2.4 Mapping Remote Field Set

An implementation MUST implement setting the value of a Remote Field as a Remote Method invocation of the FieldSetter method as specified in [MS-NRSL] section 3.5.4.2, with the following constraints:

- The fieldName Argument MUST be set to the name of the Remote Field.
- The typeName Argument MUST be set to the name of the Server Interface that contains the Remote Field.
- The val Argument MUST be set to the new value of the Remote Field.

3.1.5.2.5 Mapping Class Instances

Classes MUST be encoded as SOAP structs as specified in [SOAP1.1] section 5.4.1, where the Member names are the accessor names. The Class name MUST be encoded as specified in Remoting Type Name Encoding (section 2.2.4.2).

3.1.5.2.6 Mapping Array Instances

Arrays MUST be encoded as SOAP Arrays as specified in [SOAP1.1] section 5.4.2. The Remoting Type name of the Array MUST be encoded as specified in the Remoting Type Name Encoding section. An Array with a lower bound greater than 0 is encoded as Partial Arrays as specified in [SOAP1.1] section 5.4.2.

An Array of bytes MUST be encoded as specified in [SOAP1.1] section 5.2.3.

3.1.5.2.7 Mapping Primitive Values

Primitive Type Values MUST be encoded as SOAP simple values as specified in [SOAP1.1] section 5.2.

3.1.5.2.8 Mapping Enum Values

Enum Values MUST be encoded using the name associated with the value as SOAP enumerations as specified in [SOAP1.1] section 5.2.2.

3.1.5.2.9 Mapping Delegate

A Delegate MUST be serialized as the DelegateSerializationHolder Class, as specified in section 2.2.2.15. Each Remote Method of the Delegate is mapped to a Method and each Proxy is mapped to a Target in the DelegateSerializationHolder instance.

3.1.5.2.10 Mapping Null Object

Null Object MUST be encoded as specified in [SOAP1.1] section 5.

3.1.5.2.11 Mapping Exception

Exceptions returned by the server MUST be turned into SOAP faults as specified in [SOAP1.1] section 4.4:

faultcode: MUST be set as specified in [SOAP1.1] section 4.4.

faultstring: SHOULD be set to a human-readable message as specified in [SOAP1.1] section 4.4.

faultactor: SHOULD be a URI that identifies the source as specified in [SOAP1.1] section 4.4.<41>

detail: As specified in [SOAP1.1] section 4.4, this element is intended for carrying application-specific error information. In .NET Remoting, the detail MUST contain a serialized instance of `ServerError` as specified in section 2.2.2.17. The instance MUST be encoded as specified in [SOAP1.1] section 5.

3.1.5.3 Resolving Object Reference

When de-serializing the message content, if an **ObjRef** is encountered and has the **IsMarshaled** field set to true, then it MUST be converted either into a Proxy or a Server Object. To create a Proxy, an implementation requires a Request URI and a Server Type. The Server Type MUST be obtained from the **TypeInfo** field of the **ObjRef**. The Request URI MUST be obtained as follows:

- As specified in `ObjRef` (section 2.2.2.1), if the value of the **objRefFlags** field has the second lowest bit (value of 2), then the **uri** field of the **ObjRef** has an absolute URI that MUST be used as the Request URI.
- If the value of the **objRefFlags** field has the second lowest bit (value of 2) not set, then the **uri** field contains a relative URI. `ObjRef.ChannelInfo.ChannelData` contains information about the available channel, including any intraprocess and interprocess channel. An implementation MUST ignore **ChannelData** information if the implementation does not understand the structure. An implementation MAY choose any one of the channels. The implementation MUST combine the relative URI specified in the **uri** field with the Channel URI of the chosen channel to get the Request URI.<42>

If the host subcomponent of the Request URI refers to the implementation's machine and if the Server Object URI part of the Request URI is present in the Server Object Table, then the **ObjRef** is resolved to the actual Server Object in the `ServerObjectTable`. In this case, the de-serialized object graph contains the actual Server Object. Otherwise, a new Proxy MUST be created from the Request URI and the Server Type, as specified in Creating Proxy from Request URI and Server Type (section 3.3.4.1.1).

3.1.6 Timer Events

There are no timer events that are common to the server and the client.

3.1.7 Other Local Events

There are no other local events that are common to the server and the client.

3.2 Server Details

3.2.1 Abstract Data Model

This section describes a conceptual model of possible data organization that an implementation maintains to participate in this protocol. The described organization is provided to facilitate the explanation of how the protocol behaves. This document does not mandate that implementations

adhere to this model as long as their external behavior is consistent with that described in this document.

Server Type Table

This table contains entries of Server Object URI, the Server Types of SAO, and a Boolean value that specifies whether the SAO is a Singleton.

Server Object Table

This table contains Server Object URIs and the corresponding Server Objects. The Server Objects can be Singleton SAOs or MSOs.

Channel Table

This table contains an entry for each Channel instance. Each entry has the following items.

- **Channel:** The instance of the Channel set up on the server.
- **Channel URI:** URI for the Server Channel.
- **Format Identifier:** A string value that identifies the serialization format. Valid values are a binary format identifier and a SOAP format identifier.
- **Transport:** A string value that indicates which transport protocol to use. Valid values are "TCP", "SOAP-TCP", "HTTP", and "SOAP-HTTP".

3.2.2 Timers

There are no timers used by this protocol.

3.2.3 Initialization

The server **Channel Table** is initialized by the higher layer. Each Channel has a Channel URI. Higher-level protocols **MUST** indicate in an implementation-specific way the following information about the Transport:

- Whether the Channel uses TCP, HTTP, SOAP-TCP (SOAP protocol over the underlying TCP transport) or SOAP-HTTP (SOAP protocol over the underlying HTTP transport) Transport.
- If the transport is HTTP (with or without SOAP), then the authentication mechanism as none, Basic, Digest, or NTLM, required credentials, and client certification to use in the case of HTTPS.
- If the transport is TCP then the authentication mechanism as none or .NET NegotiateStream Protocol and the required credentials as specified in [MS-NNS].

For each Channel, the server **MUST** listen at the port indicated by the Channel's Channel URI.

3.2.4 Higher-Layer Triggered Events

3.2.4.1 Register SAO ServerType

When the higher-layer registers a Server Type with a Server Object URI and a Boolean value specifying whether the SAO is singleton, an implementation **MUST** do the following:

- If the URI is already present in the **Server Type Table** or the Server Object Table, the implementation **MUST** notify the higher layer about the error.

- If there were no errors then the implementation **MUST** add the Server Type, Server Object URI, and the **boolean value** to the **Server Type Table**.

3.2.4.2 Marshal Server Object

When the higher layer registers a Server Object with a Server Object URI, the implementation **MUST** do the following:

- If the URI is already present in the **Server Type Table** or the Server Object Table, the implementation **MUST** notify the higher layer about the error.
- If there were no errors, then the implementation **MUST** add the Server Object URI and Server Object to the Server Object Table.

3.2.4.3 Unmarshal Server Object

When the higher layer unregisters a Server Object using its Server Object URI, an implementation **MUST** do the following:

- If the Server Object URI is not found in the Server Object Table, then the higher layer **MUST** be notified about the error and not do the following:
- Remove the entry with the Server Object URI from the Server Object Table.
- The requests that are being processed, if any, **MUST** be allowed to complete.

3.2.5 Message Processing Events and Sequencing Rules

3.2.5.1 Receiving a Message

On receiving a message, an implementation of the protocol **MUST** perform the following actions:

1. Process the message frame.
2. Bind to an appropriate Server Object.
3. De-serialize the Request message content.
4. Validate and Dispatch call.
5. Serialize the Reply message content.
6. Send the Reply.

3.2.5.1.1 Process the Message Frame

An implementation **MUST** determine the Channel associated with the received message in an implementation-specific way. How the message frame is processed depends on the transport information of the associated Channel, as specified in the following table.

Transport	Section specifying the process	Server Object URI	Format identifier
TCP	Receiving Request under TCP Transport	The path subcomponent of the URI extracted from the RequestURIHeader of the message frame	The Content Type field of the ContentTypeHeader

Transport	Section specifying the process	Server Object URI	Format identifier
SOAP-TCP	Receiving Request under SOAP on TCP	The path subcomponent of the URI extracted from the RequestURIHeader of the message frame	The Content Type field of the ContentTypeHeader
HTTP	Receiving Request under HTTP Transport	Request URI in the Request-Line of the HTTP message	Content-Type entity-header field
SOAP-HTTP	Receiving Request under SOAP on HTTP	Request URI in the Request-Line of the HTTP message	Content-Type entity-header field

3.2.5.1.2 Binding to Server Object

An implementation **MUST** look up the Server Object URI got from the message in the Server Object Table. If Server Object Table does not have the Server Object, then the **Server Type Table** **MUST** be looked up for the specified Server Object URI. If the Server Object URI is not found in both the tables, then a **RemotingException** **MUST** be constructed as specified in Constructing a Remoting Exception (section 3.2.5.1.7.2) and the Exception **MUST** be sent back to the client.

If the Server Object URI is found in the Server Object Table, then the corresponding Server Object in the table **MUST** be used to dispatch the call. Otherwise, if the Server Object URI is found in the **Server Type Table**, then a new Server Object **MUST** be created. If the Boolean value for the Server Object URI in the Server Object Table indicated that the SAO is a singleton then the Server Object **MUST** be added to the Server Object Table.

3.2.5.1.3 De-Serializing the Message Content

An implementation **MUST** use the **Content Type** retrieved from the message to identify the serialization format of the message content as specified in the following table.

Content Type	Serialization format specification	Mapping section
Binary format identifier	Binary format as specified in [MS-NRBF]	Section 3.1.5.1
SOAP format identifier	SOAP format as specified in [SOAP1.1]	Section 3.1.5.2

The message content **MUST** be de-serialized to produce the Server Type or Server Interface name, Remote Method name, Input Arguments, Call Context, and the Method Signature. If the message content does not conform to the structure specified in the appropriate serialization format specification (as specified in the preceding table) or if mapping (as specified in the preceding table) the data from the serialization stream to the Remoting Data Model resulted in an error, then a **SerializationException** instance **MUST** be constructed as specified in Constructing **SerializationException** (section 3.2.5.1.7.1) and the Exception **MUST** be returned to the client. The Exception message **SHOULD** convey the nature of the structural error. If the Data Values in the message content contain **ObjRefs** they **MUST** be resolved as specified in Resolving Object Reference (section 3.1.5.3).

3.2.5.1.4 Dispatching the Call

This section defines the mechanism to invoke the Remote Method implementation targeted for the Server Object that was bound to the Server Object URI as specified in Binding to Server Object (section 3.2.5.1.2) using the values de-serialized from the message content.

The Server Type or Server Interface de-serialized from the message content has to fulfill one of the following conditions:

- The Remoting Type of the Server Object is the Server Type.
- The Remoting Type of the Server Object is a derived Class of the Server Type.
- The Remoting Type of the Server Object implements the Server Interface.

If none of the above conditions is true, then a RemotingException MUST be constructed as specified in Constructing a Remoting Exception (section 3.2.5.1.7.2) and the Exception MUST be sent back to the client.

An implementation of this protocol MAY use this information in an implementation-specific way to bind to the Remote Method implementation. An implementation MAY also perform integrity checks of this information in an implementation-specific way. If any error is encountered in this process, then a RemotingException MUST be constructed as specified in the Constructing a Remoting Exception (section 3.2.5.1.7.2) and the Exception MUST be sent back to the client.<43>

An implementation of the protocol MUST invoke the Remote Method targeted for the Server Object with the Input Arguments and CallContext got by de-serialization as specified in De-Serializing the Message Content (section 3.2.5.1.3).<44>

3.2.5.1.5 Serializing the Reply

The completion of a Remote Method can yield a Return Value, Output Arguments, or Exception. The values of the Call Context that were part of the request message MUST be returned back as part of the reply unless the Remote Method implementation removed the values explicitly. These values MUST be serialized into the message content. The serialization format MUST be the same as that of the request. If there is any error during serialization then a SerializationException instance MUST be constructed as specified in Constructing SerializationException (section 3.2.5.1.7.1) and the Exception MUST be returned to the client.

3.2.5.1.5.1 Serializing to Binary Serialization Format

An implementation MUST construct a BinaryMethodReturn record and insert any additional required records as defined in Mapping Remote Method Invocation Reply (section 3.1.5.1.2) using the Return Value, Output Arguments, Call Context, and Exception values.

3.2.5.1.5.2 Serializing to SOAP Serialization Format

An implementation MUST serialize the Return Value, Output Arguments, Call Context, and Exception values as specified in Mapping Remote Method Invocation Reply (section 3.1.5.2.2).

3.2.5.1.5.3 Marshaling Server Objects and Proxy Instances

A Data Value that is being serialized can contain a Server Object or a Proxy. These MUST be serialized as **ObjRef** instances.

In case of a Server Object, the Server Object MUST be marshaled as specified in the Marshal Server Object section if it is not already marshaled. An implementation MUST provide a valid Server Object URI but MAY use any algorithm to create it.<45>

For a Data Value containing a Server Object or MSO Proxy instance, an **ObjRef** MUST be constructed as specified in the following table.

Field	Value
uri	Server Object URI of the Server Object

Field	Value
typeInfo	Names of the Server Type, its Base Classes, and interfaces as specified in the TypeInfo section
objRefFlags	0
fIsMarshaled	True
ChannelInfo	Must be initialized as specified in the ChannelInfo section with each instance of ChannelData containing a Channel URI for each initialized channel.

For a Data Value containing an SAO Proxy, an **ObjRef** MUST be constructed as specified in the following table.

Field	Value
uri	Request-URI for the Proxy
typeInfo	Names of the Server Type, its Base Classes, and interfaces as specified in the TypeInfo section
objRefFlags	2
fIsMarshaled	True
ChannelInfo	Null Object

3.2.5.1.6 Sending Reply

The serialized message content of the reply MUST be sent back as the reply. The mechanism to send the reply message is dependent on the transport that is used. The actual mechanism is specified in the Transport (section 2.1) section. The reply message MUST have the same Content-Type as the request. How the reply message is transmitted depends on the transport information of the associated Channel, as specified in the following table.

Transport	Section specifying the process
TCP	Sending Reply under TCP Transport (section 2.1.1)
SOAP-TCP	Sending Reply under the SOAP on TCP (section 2.1.3.2)
HTTP	Sending Reply under HTTP Transport (section 2.1.2)
SOAP-HTTP	Sending Reply under the SOAP on HTTP (section 2.1.3.1)

3.2.5.1.7 Constructing Exception Messages

3.2.5.1.7.1 Constructing SerializationException

An instance of `SerializationException` as specified in section 2.2.2.10 MUST be constructed with the **InnerException** field as a Null Object. The value of the field `Data` MUST be a Null Object. <46>

3.2.5.1.7.2 Constructing a Remoting Exception

A `RemotingException` (as specified in section 2.2.2.9) MUST be constructed with the **InnerException** field as a Null Object. The value of the field `Data` MUST be a Null Object. <47>

3.2.6 Timer Events

There are no timer events in this protocol.

3.2.7 Other Local Events

There are no other local events.

3.3 Client Details

3.3.1 Abstract Data Model

This section describes a conceptual model of possible data organization that an implementation maintains to participate in this protocol. The described organization is provided to facilitate the explanation of how the protocol behaves. This document does not mandate that implementations adhere to this model as long as their external behavior is consistent with that described in this document.

Proxy Table

The **Proxy Table** is used to associate a Proxy with appropriate Server Object, transport, serialization format, and the address of the Server Object. It contains an entry for each Proxy instance. Each entry has the following items.

Proxy: The instance of the Proxy that is being looked up.

Request URI: URI for the Server Object.

ServerTypeName: QualifiedTypeName, as specified in RemotingTypeName (section 2.2.1.2), that identifies the Server Type.

Format Identifier: A string value that identifies the serialization format. Valid values are a binary format identifier and a SOAP format identifier.

Transport: A string value that indicates which transport protocol to use. Valid values are "TCP", "SOAP-TCP", "HTTP", and "SOAP-HTTP".

3.3.2 Timers

There are no timers used by this protocol.

3.3.3 Initialization

3.3.4 Higher-Layer Triggered Events

3.3.4.1 Get SAO Proxy

When the higher layer requests a Proxy for a Request URI and a Server Type name, an implementation MUST create a Proxy as specified in the following section.

3.3.4.1.1 Creating Proxy from Request URI and Server Type

If the Request URI is not well-formed, the higher layer MUST be notified of the error. The format of the Request URI for TCP is specified in the TcpUriString section. The format of the Request URI for HTTP is specified in [RFC2616] section 3.2.2.

The implementation MUST create a new Proxy instance and add the Proxy, Request URI, Server Type name, Transport Protocol information, and the serialization format to the Proxy **Table**. The mechanism for determining the serialization format and the **Transport Protocol** for the given Request URI is implementation-specific and beyond the scope of this protocol.

3.3.4.2 Remote Method Invocation

When the higher layer invokes a Remote Method using a Proxy that passes Arguments and Call Context, the implementation MUST do the following:

1. Serialize the Request.
2. Send the message to the server.
3. Wait for the response from the server.
4. Read the response from the connection stream.
5. De-serialize the response message content.
6. Pass the de-serialized values to the higher layer that invoked the Remote Method.

3.3.4.2.1 Serializing the Request

An implementation MUST look up the **Proxy Table** to get the Request URI, **ServerTypeName**, Transport, and Content-Type. If the **Proxy Table** does not contain the Proxy, then the higher layer MUST be notified of the error. An instance of Method Signature MAY be constructed from the Remoting Types of the Arguments of the Remote Method that is being invoked. <48>

The Server Type name, Remote Method name, Method Signature, Input Arguments and **CallContext** MUST be serialized into message content. The serialization format of the message content is specified by the Content-Type value, specified as follows.

Format identifier	Serializaton format
Binary format identifier	Binary format as specified in [MS-NRBF]
SOAP format identifier	SOAP format as specified in [SOAP1.1]

3.3.4.2.1.1 Serializing to Binary Serialization Format

An implementation MUST construct a BinaryMethodCall record and insert any additional required records as defined in Mapping Remote Method Request (section 3.1.5.1.1) using the Server Type name, Remote Method name, Method Signature, Input Arguments, and Call Context.

3.3.4.2.1.2 Serializing to SOAP Serialization Format

An implementation MUST serialize the Server Type name, Remote Method name, Method Signature, Input Arguments, and Call Context as specified in Mapping Remote Method Invocation (section 3.1.5.2.1).

When using the SOAP protocol, the value of the SOAP Action MUST be encoded as specified in Soap Action String (section 2.2.4.1) and set in the message frame as specified in the following list:

- If SOAP is bound to HTTP, then the value of SOAP Action MUST be set as the "SOAPAction" HTTP header.

- If SOAP is bound to TCP then, the value of SOAP Action MUST be encoded as a CustomHeader with "SOAPAction" as the name as specified in Custom Header (section 2.2.3.3.3.2).

If the serialized Data Values contain a Server Object or a Proxy, they MUST be serialized as specified in Marshaling Server Objects and Proxy instances (section 3.2.5.1.5.3).

3.3.4.2.2 Sending the Request

How the Request URI and Content-Type are transmitted depends on the transport information associated with the Proxy, which was obtained in an earlier step, "Serializing the Request" (section 3.3.4.2.1). The Request MUST be transmitted as specified in the following table.

Transport	Request URI	Content Type	Specification for sending message
TCP	MUST be set in the RequestURIHeader of the message frame.	MUST be set in the ContentTypeHeader of the message frame.	Sending Request under TCP Transport
SOAP-TCP	MUST be set in the RequestURIHeader of the message frame.	MUST be set in the ContentTypeHeader of the message frame.	Sending Request under SOAP on TCP
HTTP	The Server Object URI part of the Request URI MUST be set as the Request-URI in the Request-Line of the HTTP Request.	MUST be set in the Content-Type entity-header field.	Sending Request under HTTP Transport
SOAP-HTTP	The Server Object URI part of the Request URI MUST be set as the Request-URI in the Request-Line of the HTTP Request.	MUST be set in the Content-Type entity-header field section.	Sending Request under SOAP on HTTP

3.3.4.2.3 Reading the Reply

For a One-Way Method, there is no reply message and hence an implementation MUST NOT wait for a reply. For a Two-Way Method, the implementation MUST wait for the reply. How the Reply message is processed depends on the transport information associated with the Proxy, which was obtained in an earlier step, "Serializing the Request" (section 3.3.4.2.1). The Reply message MUST be processed as specified in the sections listed in the following table.

Transport	Section specifying the process
TCP	Receiving Reply under TCP Transport section
SOAP-TCP	Receiving Reply under the SOAP on TCP section
HTTP	Receiving Reply under HTTP Transport section
SOAP-HTTP	Receiving Reply under the SOAP on HTTP section

3.3.4.2.4 De-Serializing the Response

The Return Value and Output Arguments or an Exception along with values MUST be obtained by de-serializing the message content. The serialization format MUST be the same as that specified in the Sending the Request section. The serialization format and the mapping to the Remoting Data Model for a Content Type are specified in the following table.

Content Type	Serialization format specification	Mapping section
Binary format identifier	Binary format as specified in [MS-NRBF]	Section 3.1.5.1
SOAP format identifier	SOAP format as specified in [SOAP1.1]	Section 3.1.5.2

If the message content does not conform to the structure specified in the appropriate serialization format specification (as specified in the preceding table) or if mapping (as specified in the preceding table) the data from the serialization stream to the Remoting Data Model resulted in an error, then the higher layer MUST be notified of the error. In case of an error the implementation MAY stop reading the message further. If the Data Values in the message content contain **ObjRefs** they MUST be resolved as specified in Resolving Object Reference (section 3.1.5.3)

3.3.4.2.5 Completing the Invocation

The de-serialized values MUST be returned to the calling method as ReturnValue, Output Arguments, Call Context, or Exception. If the Remoting Type of any of the de-serialized values does not match the Remoting Types expected by the remote method, then the higher-layer abstraction MUST be notified of the type mismatch error.

3.3.5 Message Processing Events and Sequencing Rules

There are no events processed by the client role.

3.3.6 Timer Events

There are no timer events in the client role.

3.3.7 Other Local Events

There are no other local events in the client role.

4 Protocol Examples

4.1 Two-Way Method Invocation Using TCP-Binary

This code sample illustrates the message exchanged for a Remote Method invocation.

In this sample the client invokes the SendAddress method defined in the Server Interface RemotingTest.MyServer defined as follows.

```
namespace RemotingTest
{
    interface MyServer
    {
        System.String SendAddress(Address address);
    }

    class Address
    {
        System.String Street;
        System.String City;
        System.String State;
        System.String Zip;
    }
}
```

The client invokes the method with the following values for the parameters:

Address.Street = "One Microsoft Way",

Address.City = "Redmond",

Address.State = "WA"

Address.Zip = "98054".

The server is configured to support TCP and the messages are expected to be encoded in [MS-NRBF]. The remoting server is a Single-Call SAO at "tcp://RemotingMachine:8080/MyServer.Rem".

The Remote Method returns a value of "Address received" in the response message to the client.

A sequence diagram for the preceding message exchange pattern is provided in the following figure.

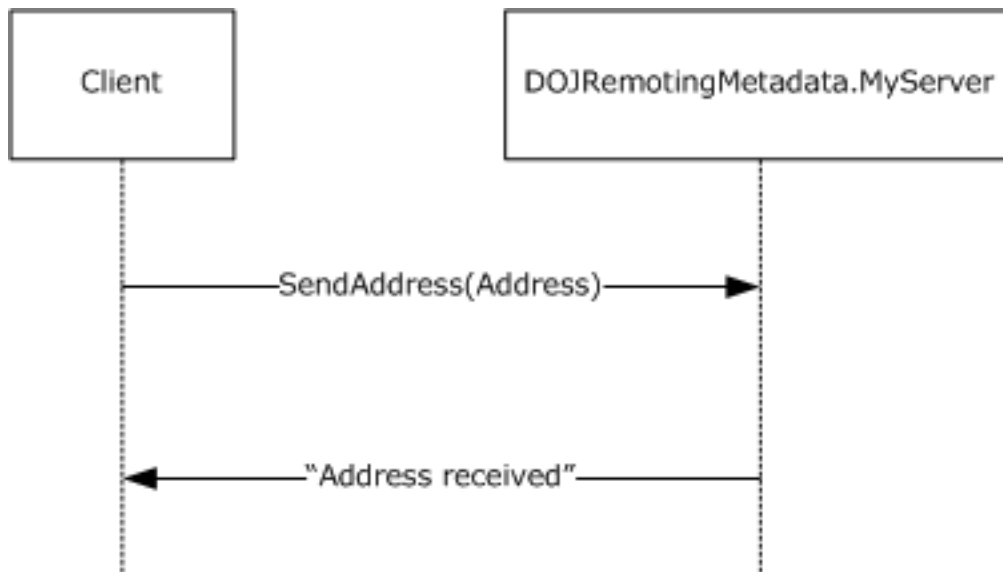


Figure 8: A sequence diagram for the preceding message exchange pattern

A dump of the request message is as follows.

```

0000      2E 4E 45 54 01 00 00 00 00 00 74 01 00 00 04 00      .NET.....t.....
0010      01 01 22 00 00 00 74 63 70 3A 2F 2F 6D 61 68 65      .."...tcp://mahe
0020      73 68 64 65 76 32 3A 38 30 38 30 2F 4D 79 53 65      shdev2:8080/MySe
0030      72 76 65 72 2E 72 65 6D 06 00 01 01 18 00 00 00      rver.rem.....
0040      61 70 70 6C 69 63 61 74 69 6F 6E 2F 6F 63 74 65      application/octe
0050      74 2D 73 74 72 65 61 6D 00 00                                t-stream..
  
```

The interpretation of the preceding message frame is as follows.

```

ProtocolIdentifier: 0x54454E2E
MajorVersion: 1 (0x1)
MinorVersion: 0 (0x0)
OperationType: Request (0x00)
ContentLength
ContentDistribution : ContentLength (0x00)
ContentLength: 314 (0x13A)
Header 1:
  RequestUriHeader
    HeaderToken: RequestUri (0x04)
    DataType: CountedString (0x01)
    StringEncoding: UTF8 (0x01)
    UriValue : tcp://RemotingTestMachine:8080/MyServer.rem
Header 2:
  ContentTypeHeader:
    HeaderToken: ContentType (0x06)
    DataType: CountedString (0x01)
    ContentTypeValue: application/octet-stream
Header 3:
  EndHeader:
    HeaderToken: EndOfHeaders(0x00)
  
```

- The **OperationType** field indicates this is a Request message of a Two-Way Method.

- The **ContentDistribution** field indicates that the message content is not chunked.
- The **ContentLength** field indicates the length of the message content in bytes.
- The RequestUriHeader header contains the Request URI of the server.
- The ContentTypeHeader header indicates the format identifier to be binary serialization format.
- The EndHeader header indicates the end of the headers and the message frame.

```

0000          00 01 00 00 00 FF FF FF FF 01 00 00 00 00 00 00 .....ÿÿÿÿ.....
0010          00 15 14 00 00 00 12 0B 53 65 6E 64 41 64 64 72 .....SendAddr
0020          65 73 73 12 6F 44 4F 4A 52 65 6D 6F 74 69 6E 67 ess.oDOJRemoting
0030          4D 65 74 61 64 61 74 61 2E 4D 79 53 65 72 76 65 Metadata.MyServe
0040          72 2C 20 44 4F 4A 52 65 6D 6F 74 69 6E 67 4D 65 r, DOJRemotingMe
0050          74 61 64 61 74 61 2C 20 56 65 72 73 69 6F 6E 3D tadata, Version=
0060          31 2E 30 2E 32 36 32 32 2E 33 31 33 32 36 2C 20 1.0.2622.31326,
0070          43 75 6C 74 75 72 65 3D 6E 65 75 74 72 61 6C 2C Culture=neutral,
0080          20 50 75 62 6C 69 63 4B 65 79 54 6F 6B 65 6E 3D PublicKeyToken=
0090          6E 75 6C 6C 10 01 00 00 00 01 00 00 00 09 02 00 null.....
00A0          00 00 0C 03 00 00 00 51 44 4F 4A 52 65 6D 6F 74 .....QDOJRemot
00B0          69 6E 67 4D 65 74 61 64 61 74 61 2C 20 56 65 72 ingMetadata, Ver
00C0          73 69 6F 6E 3D 31 2E 30 2E 32 36 32 32 2E 33 31 sion=1.0.2622.31
00D0          33 32 36 2C 20 43 75 6C 74 75 72 65 3D 6E 65 75 326, Culture=neu
00E0          74 72 61 6C 2C 20 50 75 62 6C 69 63 4B 65 79 54 tral, PublicKeyT
00F0          6F 6B 65 6E 3D 6E 75 6C 6C 05 02 00 00 00 1B 44 oken=null.....D
0100          4F 4A 52 65 6D 6F 74 69 6E 67 4D 65 74 61 64 61 OJRemotingMetada
0110          74 61 2E 41 64 64 72 65 73 73 04 00 00 00 06 53 ta.Address.....S
0120          74 72 65 65 74 04 43 69 74 79 05 53 74 61 74 65 treet.City.State
0130          03 5A 69 70 01 01 01 01 03 00 00 00 06 04 00 00 .Zip.....
0140          00 11 4F 6E 65 20 4D 69 63 72 6F 73 6F 66 74 20 ..One Microsoft
0150          57 61 79 06 05 00 00 00 07 52 65 64 6D 6F 6E 64 Way.....Redmond
0160          06 06 00 00 00 02 57 41 06 07 00 00 00 05 39 38 .....WA.....98
0170          30 35 34 0B                                     054.

```

The interpretation of the preceding message content is as follows.

```

Binary Serialization Format
SerializationHeaderRecord:
  BinaryHeaderEnum: SerializedStreamHeader (0x00)
  TopId: 0 (0x0)
  HeaderId: -1 (0xFFFFFFFF)
  MajorVersion: 1 (0x1)
  MinorVersion: 0 (0x0)
BinaryMethodCall:
  BinaryHeaderEnum: BinaryMethodCall (0x15)
  MessageEnum: 00000014
    NoArgs: (.....0)
    ArgsInline: (.....0.)
    ArgsIsArray: (.....1..)
    ArgsInArray: (.....0...)
    NoContext: (.....1...)
    ContextInline: (.....0.....)
    ContextInArray: (.....0.....)
    MethodSignatureInArray: (.....0.....)
    PropertyInArray: (.....0.....)
    NoReturnValue: (.....0.....)
    ReturnValueVoid: (.....0.....)
    ReturnValueInline: (.....0.....)
    ReturnValueInArray: (.....0.....)
    ExceptionInArray: (.....0.....)
    Reserved: (000000000000000000.....)
  MethodName:

```

```

        PrimitiveTypeEnum: String (0x12)
        Data: SendAddress
    TypeName:
        PrimitiveTypeEnum: String (0x12)

        Data: RemotingTest.MyServer, RemotingTest, Version=1.0.2616.21414,
Culture=neutral, PublicKeyToken=null
    MethodCallArray: (ArraySingleObject)
        BinaryHeaderEnum: ArraySingleObject (0x10)
        ObjectId: 1 (0x01)
        Length: 1 (0x1)
    MemberReference:
        BinaryHeaderEnum: MemberReference (0x09)
        IdRef: 2 (0x02)
    BinaryLibrary:
        BinaryHeaderEnum: BinaryLibrary (0x0C)
        AssemId: 3 (0x03)
        LibraryString: LibraryString:RemotingTest,
Version=1.0.2621.26113, Culture=neutral, PublicKeyToken=null
    ClassWithMembersAndTypes:
        BinaryHeaderEnum: ClassWithMembersAndTypes (0x05)
        ObjectId: 2 (0x02)
        Name: RemotingTest.MyData
        NumMembers: 4 (0x04)
            MemberNames:
                Data: Street
            MemberNames:
                Data: City
            MemberNames:
                Data: State
            MemberNames:
                Data: Zip
        BinaryTypeEnumA:
            String (0x01)
            String (0x01)
            String (0x01)
            String (0x01)
        AssemId: 3 (0x03)
    BinaryObjectString:
        BinaryHeaderEnum: BinaryObjectString (0x06)
        ObjectId: 04 (0x04)
        Length: 17 (0x11)
        Value: One Microsoft Way
    BinaryObjectString:
        BinaryHeaderEnum: BinaryObjectString (0x06)
        ObjectId: 05 (0x04)
        Length: 7 (0x07)
        Value: Redmond
    BinaryObjectString:
        BinaryHeaderEnum: BinaryObjectString (0x06)
        ObjectId: 06 (0x04)
        Length: 2 (0x02)
        Value: WA
    BinaryObjectString:
        BinaryHeaderEnum: BinaryObjectString (0x06)
        ObjectId: 07 (0x04)
        Length: 5 (0x05)
        Value: 98054
    MessageEnd:
        BinaryHeaderEnum: MessageEnd (0x11)

```

- The BinaryMethodCall record contains the Server Type name and the Remote Method name. The ArgsIsArray flag in the MessageEnum field indicates that the Arguments are passed as part of a MethodCallArray record. The NoContext flag in the MessageEnum field indicates that there is no CallContext that is sent as part of this message.
- The MethodCallArray record contains one entry for the only Argument.

- The MemberReference record provides a reference to the actual value.
- The BinaryLibrary record associates the Id value of 3 to the Library name RemotingTest, Version=1.0.2621.26113, Culture=neutral, PublicKeyToken=null.
- ClassWithMembersAndTypes record contains the Input Argument passed. It lists the four Member names and their Remoting Types (all strings in this case).
- Four BinaryObjectString records contain the string values of the four Members (Street, City, State and Zip).

The message frame and the message content for the response message from the server are as follows.

```
0000          2E 4E 45 54 01 00 02 00 00 00 27 00 00 00 00 00 .NET.....'.....
```

The interpretation of the preceding message frame is as follows.

```
ProtocolIdentifier: 54454E2E
MajorVersion: 1 (0x1)
MinorVersion: 0 (0x0)
OperationType: Response (0x02)
ContentLength
  ContentDistribution : ContentLength (0x00)
  ContentLength: 39 (0x27)
Header 1:
  EndHeader:
    HeaderToken: EndOfHeaders (0x00)
```

- The **OperationType** field indicates that this is a Response message of a Two-Way Method.
- The **ContentDistribution** field indicates that the message content is not chunked.
- The **ContentLength** field indicates the length of the message content in bytes.
- The EndHeader header indicates the end of the headers and the message frame.

```
0000          00 00 00 00 00 00 00 00 00 00 01 00 00 00 00 00 .....
0010          00 16 11 08 00 00 12 10 41 64 64 72 65 73 73 20 .....Address
0020          72 65 63 65 69 76 65 64 0B          received.
```

The interpretation of the preceding message content is as follows.

```
Binary Serialization Format
SerializationHeaderRecord:
  BinaryHeaderEnum: SerializedStreamHeader (0x00)
  TopId: 0 (0x0)
  HeaderId: 0 (0x0)
  MajorVersion: 1 (0x1)
  MinorVersion: 0 (0x0)
BinaryMethodReturn:
  BinaryHeaderEnum: BinaryMethodReturn (0x16)
  MessageEnum: 00000811
```

```

    NoArgs:                (.....1)
    ArgsInline:            (.....0.)
    ArgsIsArray:           (.....0..)
    ArgsInArray:           (.....0...)
    NoContext:             (.....1....)
    ContextInline:         (.....0.....)
    ContextInArray:        (.....0.....)
    MethodSignatureInArray: (.....0.....)
    PropertyInArray:       (.....0.....)
    NoReturnValue:         (.....0.....)
    ReturnValueVoid:        (.....0.....)
    ReturnValueInline:     (.....1.....)
    ReturnValueInArray:    (.....0.....)
    ExceptionInArray:     (.....0.....)
    Reserved:              (0000000000000000.....)
  ReturnValue:
    PrimitiveTypeEnum: String (0x12)
    Data: Address received
  ArgsCount: 0 (0x0)
  MessageEnd:
    BinaryHeaderEnum: MessageEnd (0x0B)

```

The BinaryMethodReturn record indicates that the message content is a response to a message. The NoArgs and the NoContext flags in the **MessageEnum** field indicate that there is no Output Arguments or Call Context associated with this call. The ReturnValueInline flag in the **MessageEnum** field indicates that the Return Value is part of the Method Return record. The actual value is encoded as StringValueWithCode.

4.2 Two-Way Method Invocation Using SOAP Over HTTP

The next example shows the message trace using the SOAP transport with HTTP. In this sample, the client invokes the SendAddress method defined in the Server Interface RemotingTest.MyServer defined as follows.

```

namespace RemotingTest
{
    interface MyServer
    {
        Address SendAddress(Array a, int I);
    }

    class Address
    {
        String Street;
        String City;
        String State;
        String Zip;
    }
}

```

The client invokes the method with the following values for the parameters:

```
a = new int[-1..8][4..5],
```

```
I = 42
```

The remoting server is a Single-Call SAO at "http://RemotingMachine:8080/MyServer.soap".

The HTTP headers of the request message are shown as follows.


```

        <item>0</item>
        <item>0</item>
        <item>0</item>
        <item>0</item>
        <item>0</item>
        <item>0</item>
        </SOAP-ENC:Array>
    </SOAP-ENV:Body>
</SOAP-ENV:Envelope>

```

The message is a SOAP envelope. There are two SOAP headers: MethodSignature and CallContext. The MethodSignature header contains the string "a1:Array xsd:int", which is a list of qualified names as specified in Mapping Remoting Data Model to SOAP Format (section 3.1.5.2), subsection Mapping Remote Method Invocation (section 3.1.5.2.1). The CallContext header contains a single name-value pair encoded as specified in Call Context SOAP Header (section 2.2.4.5). The name is "Hdr1" and the value is "HeaderValue". The SOAP body consists of a single element called "DoIt" from the "http://schemas.microsoft.com/clr/nsassem/RemotingTest.MyServer/RemotingTest" namespace. The local name and the XML namespace of this element are encoded as specified in the Windows behavior of Method Name Encoding (section 2.2.4.3). The Arguments "a" and "I" are represented by the two child elements of DoIt. Argument "I" is a simple value (42). Argument "a" is a two-dimensional Array with the dimension of the first Array spanning from -1 to 8 (10 items) and the second Array spanning from 4 to 5 (2 items). The 20 items of the Array are encoded inside the Array element.

The server returns an instance of the Address Class as Return Value as follows:

```
Address.Street = "One Microsoft Way",
```

```
Address.City = "Redmond",
```

```
Address.State = "WA"
```

```
Address.Zip = "98054".
```

The HTTP headers of the reply message are shown as follows. The reply message is encoded as specified in the Sending Reply subsection under SOAP on HTTP (section 2.1.3.1). The StatusCode is 200. The Content-Type is text/xml; charset="utf-8" which is the SOAP Format Identifier.

```

Version=1.1, Status-Code=200, Reason-Phrase=OK.
Content-Length: 1497
Content-Type: text/xml; charset="utf-8"
Server: MS .NET Remoting, MS .NET CLR 2.0.50727.1318

```

The HTTP body of the reply message is given as follows. The body is a SOAP Envelope. The reply echoes the CallContext and MethodSignature headers. The SOAP body of the reply message contains a single element called DoItResponse. It is encoded as specified in the Windows behavior of Method Name Encoding (section 2.2.4.3). The element contains one child element called "return" that contains a reference to the Return Value. The Return Value is serialized under the "Address" element.

```

<SOAP-ENV:Envelope
  xmlns:xsi="http://www.w3.org/2001/XMLSchema-instance"
  xmlns:xsd="http://www.w3.org/2001/XMLSchema"
  xmlns:SOAP-ENC="http://schemas.xmlsoap.org/soap/encoding/"
  xmlns:SOAP-ENV="http://schemas.xmlsoap.org/soap/envelope/"
  xmlns:clr="http://schemas.microsoft.com/soap/encoding clr/1.0"
  SOAP-ENV:encodingStyle="http://schemas.xmlsoap.org/soap/encoding/">
  <SOAP-ENV:Header>
    <h3: __MethodSignature xsi:type="SOAP-ENC:methodSignature"
      SOAP-ENC:root="1"

```

```

    xmlns:h3="http://schemas.microsoft.com/clr/soap/messageProperties"
    xmlns:a1="http://schemas.microsoft.com/clr/ns/System">
    a1:Array xsd:int
  </h3:___MethodSignature>
  <h3:___CallContext href="#ref-4"
    xmlns:h3="http://schemas.microsoft.com/clr/soap/messageProperties"
    SOAP-ENC:root="1"/>
  <a2:LogicalCallContext id="ref-4"
    xmlns:a2="http://schemas.microsoft.com/clr/ns/System.Runtime.Remoting.
Messaging">
    <Hdr1 id="ref-5">HeaderValue</Hdr1>
  </a2:LogicalCallContext>
</SOAP-ENV:Header>

<SOAP-ENV:Body>
  <i6:DoItResponse id="ref-1"
    xmlns:i6="http://schemas.microsoft.com/clr/nsassem/RemotingTest.MyServer/
RemotingTest">
    <return href="#ref-8"/>
  </i6:DoItResponse>
  <a3:Address id="ref-8"
    xmlns:a3="http://schemas.microsoft.com/clr/
nsassem/RemotingTest/RemotingTest%2C%20Version%3D1.0.0.0%2C%20Culture%
3Dneutral%2C%20PublicKeyToken%3Dnull">
    <Street id="ref-9">One Microsoft Way</Street>
    <City id="ref-10">Redmond</City>
    <State id="ref-11">WA</State>
    <Zip id="ref-12">98052</Zip>
  </a3:Address>.
</SOAP-ENV:Body>
</SOAP-ENV:Envelope>

```

4.3 Faults in SOAP Over HTTP

If the Remoting Method implementation of "DoIt" throws an Exception, then it is returned to the client as a SOAP fault. The HTTP headers of the reply message are shown in the following code example. The reply message is encoded as specified in Sending Reply (section 2.1.3.1.2.2) under SOAP on HTTP (section 2.1.3.1). The Status-Code is 500. The Content-Type is text/xml; charset="utf-8" which is the SOAP Format Identifier.

```

Version=1.1, Status-Code=500, Reason-Phrase=Internal Server Error.Content-Length: 2312
Content-Type: text/xml; charset="utf-8"
Server: MS .NET Remoting, MS .NET CLR 2.0.50727.1318

```

The HTTP body of the reply message is given in the following sample. The body is a SOAP Envelope. The reply echoes the CallContext and MethodSignature headers. The SOAP body of the reply message contains the SOAP Fault element. It is encoded as specified in Mapping Exception (section 3.1.5.2.11). The faultcode value of SOAP-ENV:Server conveys the fault is on the server side. The faultstring contains the Exception message thrown by the application. The detail value consists of the serialized instance of the Exception. The other elements—exceptionType, message, and stackTrace—have null values. The structure of the serialized Exception message can be found in SystemException (section 2.2.2.9).

```

<SOAP-ENV:Envelope
  xmlns:xsi="http://www.w3.org/2001/XMLSchema-instance"
  xmlns:xsd="http://www.w3.org/2001/XMLSchema"
  xmlns:SOAP-ENC="http://schemas.xmlsoap.org/soap/encoding/"
  xmlns:SOAP-ENV="http://schemas.xmlsoap.org/soap/envelope/"
  xmlns:clr="http://schemas.microsoft.com/soap/encoding clr/1.0"
  SOAP-ENV:encodingStyle="http://schemas.xmlsoap.org/soap/encoding/">
  <SOAP-ENV:Header>

```

```

    <h4: __CallContext href="#ref-3"
      xmlns:h4="http://schemas.microsoft.com/clr/soap/
messageProperties"
      SOAP-ENC:root="1"/>
    <a1:LogicalCallContext id="ref-3"
      xmlns:a1="http://schemas.microsoft.com/clr/ns/System.Runtime.
Remoting.Messaging">
      <Hdr1 id="ref-5">HeaderValue</Hdr1>
    </a1:LogicalCallContext>
  </SOAP-ENV:Header>

  <SOAP-ENV:Body>
    <SOAP-ENV:Fault id="ref-1">
      <faultcode id="ref-6">SOAP-ENV:Server</faultcode>
      <faultstring id="ref-7">
        **** System.Exception - Invalid Arguments
      </faultstring>
      <detail xsi:type="a2:ServerFault"
xmlns:a2="http://schemas.microsoft.com/clr/ns/System.Runtime.
Serialization.Formatters">
        <exceptionType xsi:null="1"/>
        <message xsi:null="1"/>
        <stackTrace xsi:null="1"/>
        <exception href="#ref-8"/>
      </detail>
    </SOAP-ENV:Fault>
    <a3:Exception id="ref-8"
      xmlns:a3="http://schemas.microsoft.com/clr/ns/System">
      <ClassName id="ref-9">System.Exception</ClassName>
      <Message id="ref-10">Invalid Arguments</Message>
      <InnerException xsi:null="1"/>
      <HelpURL xsi:null="1"/>
      <StackTraceString id="ref-11">
        at RemotingTest.MyServer.DoIt(Array a, Int32 I) in
C:\temp\RemotingTest\RemotingSinkTest\RemotingTest\Program.cs:line 245
        at System.Runtime.Remoting.Messaging.StackBuilderSink.
_PrivateProcessMessage(IntPtr md, Object[] args, Object server,
Int32 methodPtr, Boolean fExecuteInContext, Object[] outArgs)
        at System.Runtime.Remoting.Messaging.StackBuilderSink.
SyncProcessMessage(IMessage msg, Int32 methodPtr, Boolean
fExecuteInContext)
      </StackTraceString>
      <RemoteStackTraceString xsi:null="1"/>
      <RemoteStackIndex>0</RemoteStackIndex>
      <ExceptionMethod id="ref-12">8.DoIt.RemotingTest,
Version=1.0.0.0, Culture=neutral, PublicKeyToken=null.RemotingTest.
MyServer.RemotingTest.Method1 DoIt(System.Array, Int32)</ExceptionMethod>
      <HResult>-2146233079</HResult>
      <Source id="ref-13">RemotingTest</Source>
    </a3:Exception>
  </SOAP-ENV:Body>
</SOAP-ENV:Envelope>

```

4.4 One-Way Method Invocation Using SOAP Over TCP

The SOAP envelope is constructed in the same way as SOAP over HTTP. However, a TCP message frame is used as specified in the Sending Request subsection under the SOAP on TCP section.

The TCP message frame for a One-Way Method with SOAP payload is as follows.

```

0000          2E 4E 45 54 01 00 01 00 00 00 52 02 00 00 04 00 .NET.....R.....
0010      01 01 22 00 00 00 74 63 70 3A 2F 2F 6D 61 68 65 .."...tcp://mahe
0020      73 68 64 65 76 32 3A 38 30 38 30 2F 4D 79 53 65 shdev2:8080/MySe
0030      72 76 65 72 2E 72 65 6D 06 00 01 01 19 00 00 00 rver.rem.....
0040      74 65 78 74 2F 78 6D 6C 3B 20 63 68 61 72 73 65 text/xml; charse
0050      74 3D 22 75 74 66 2D 38 22 01 00 01 0A 00 00 00 t="utf-8".....

```



```

0060      53 4F 41 50 41 63 74 69 6F 6E 01 64 00 00 00 22 SOAPAction.d..."
0070      68 74 74 70 3A 2F 2F 73 63 68 65 6D 61 73 2E 6D http://schemas.m
0080      69 63 72 6F 73 6F 66 74 2E 63 6F 6D 2F 63 6C 72 icrosoft.com/clr
0090      2F 6E 73 61 73 73 65 6D 2F 44 4F 4A 52 65 6D 6F /nsassem/DOJRemo
00A0      74 69 6E 67 4D 65 74 61 64 61 74 61 2E 4D 79 53 tingMetadata.MyS
00B0      65 72 76 65 72 2F 44 4F 4A 52 65 6D 6F 74 69 6E erver/DOJRemotin
00C0      67 4D 65 74 61 64 61 74 61 23 53 61 79 48 65 6C gMetadata#SayHel
00D0      6C 6F 22 00 00                                     lo"..

```

The interpretation of the preceding trace is as follows.

```

ProtocolIdentifier: 0x54454E2E
MajorVersion: 1 (0x1)
MinorVersion: 0 (0x0)
OperationType: OneWay (0x01)
ContentLength
    ContentDistribution : Not Chunked (0x01)
    ContentLength: 594 (0x252)
Header 1
    RequestUriHeader
        HeaderToken : RequestUri (0x04)
        DataType : CountedString (0x01)
        UriValue: tcp://maheshdev2:8080/MyServer.rem
Header 2:
    ContentTypeHeader
        HeaderToken: ContentType (0x06)
        DataType : CountedString (0x01)
        ContentTypeValue : text/xml; charset="utf-8"
Header 3:
    Custom Header
        StringEncoding: UTF8 (0x01)
        Name: SOAPAction
        StringEncoding: UTF8 (0x01)
        Value: "http://schemas.microsoft.com/clr/nsassem/
            DOJRemotingMetadata.MyServer/
            DOJRemotingMetadata#SayHello"
Header 3:
    EndHeader:
        HeaderToken: EndOfHeaders(0x00)

```

The key field to note for a One-Way Method request is the **OperationType** field. It contains a value of 1 indicating the request as One-Way. Because the payload is SOAP, the content-type is text/xml and the message frame has a custom header for SOAPAction.

4.5 One-Way Method Invocation Using HTTP-Binary

The binary message content of HTTP with binary is constructed the same way as TCP with binary as shown in the Two-Way Method Invocation Using TCP-Binary section. However, the **message frame** is made of HTTP headers as specified in the Sending Request subsection under the HTTP Transport section.

The HTTP headers for a One-Way Method with Binary payload is shown as follows.

```

POST /MyServer.soap HTTP/1.1
User-Agent: Mozilla/4.0+(compatible; MSIE 6.0; Windows 6.0.6000.0;
MS .NET Remoting; MS .NET CLR 2.0.50727.1318 )
Content-Type: application/octet-stream
Host: localhost:8080
Content-Length: 607
Expect: 100-continue

```

Connection: Keep-Alive

The HTTP request header "Content-Type" contains "application/octet-stream" indicating that the payload is binary. For HTTP there is no field in the request headers to indicate that the request is One-Way.

The server returns an HTTP response with a Status-Code of 202, as follows.

```
Version=1.1, Status-Code=202, Reason-Phrase=Accepted.  
Content-Length: 0  
Server: MS .NET Remoting, MS .NET CLR 2.0.50727.1318
```

5 Security

5.1 Security Considerations for Implementers

As specified in [MS-NRBF], the .NET Remoting Binary Format has constructs that could lead to security attacks. Such attacks are also possible in the SOAP encoding, where the Array sizes can be specified in the wire. To mitigate these attacks, it is recommended that implementers consider building implementations that use or encourage the use of HTTPS and that enforce use of HTTP authentication or TCP with authentication and encryption (as specified in [MS-NNS]). Alternatively, an implementation can allow the higher layer to configure an upper limit for the size.

The .NET Remoting Protocol allows Server Objects to be marshaled transparently when a graph of Data Values containing a Server Object is sent across. This inadvertent exposing of new service endpoints can result in security issues. To mitigate such attacks, it is recommended that implementers consider building implementations that require explicit opt-in by the application to enable the transparent marshaling.

De-serialization results in the creation of an instance of a Remoting Type whose information is provided in the message content. It might be unsafe to create an instance of certain Remoting Types. It is recommended that an implementation protect against attacks in which the message content includes unsafe Remoting Types. Such attacks can be mitigated by authentication. Alternatively, an implementation can allow the higher layer to configure a list of Remoting Types in an implementation-specific way and disallow de-serialization of any Remoting Type that is not in the list.

5.2 Index of Security Parameters

Security parameter	Section
TCP authentication	TCP Transport (section 2.1.1)
HTTP authentication	HTTP Transport (section 2.1.2)
HTTPS	HTTP Transport (section 2.1.2)

6 Appendix A: Product Behavior

The information in this specification is applicable to the following Microsoft products or supplemental software. References to product versions include released service packs.

This document specifies version-specific details in the Microsoft .NET Framework. The following versions of .NET Framework are available in the following released Windows product or as supplemental software, see [MS-NETOD] section 4.

The terms "earlier" and "later", when used with a product version, refer to either all preceding versions or all subsequent versions, respectively. The term "through" refers to the inclusive range of versions. Applicable Microsoft products are listed chronologically in this section.

- Microsoft .NET Framework 1.0
- Microsoft .NET Framework 2.0
- Microsoft .NET Framework 3.0
- Microsoft .NET Framework 3.5
- Microsoft .NET Framework 4.0
- Microsoft .NET Framework 4.5
- Microsoft .NET Framework 4.6
- Microsoft .NET Framework 4.7

Exceptions, if any, are noted below. If a service pack or Quick Fix Engineering (QFE) number appears with the product version, behavior changed in that service pack or QFE. The new behavior also applies to subsequent service packs of the product unless otherwise specified. If a product edition appears with the product version, behavior is different in that product edition.

Unless otherwise specified, any statement of optional behavior in this specification that is prescribed using the terms "SHOULD" or "SHOULD NOT" implies product behavior in accordance with the SHOULD or SHOULD NOT prescription. Unless otherwise specified, the term "MAY" implies that the product does not follow the prescription.

<1> Section 1.3.2: Windows allows applications to plug in extensions called Envoy Sinks that are run when a Remote Method is invoked. The actual interface of the extension is beyond the scope of this protocol. Windows uses the Envoy Sink Information to send a list of Envoy Sinks from the server to the client to carry out any client-side behavior such as validating parameters. If there is no application-provided data, this field is a NullObject in Windows.

<2> Section 2.1.1.1.1: Windows maintains a pool of connections for a given ServerObject (identified by its address). Each pool has a receive time-out and a connection time-out. Connections are preserved until the connection time-out expires. A new connection is created if there are no cached connections or if the connection is configured to do SPNEGO authentication.

<3> Section 2.1.1.1.1: Windows never writes chunked messages. However, it can consume chunked messages.

<4> Section 2.1.1.1.1: Windows with .NET Framework 1.0 or Microsoft .NET Framework 1.1 retransmits a message once upon failure. Windows with .NET Framework 2.0 and later versions allows users to configure the number of retransmissions. The default count is 1.

<5> Section 2.1.1.1.2: A Receive time-out can be configured by the higher layer.

<6> Section 2.1.1.2.1: If the serialization format is SOAP, then the SOAPAction in the CustomHeader of a request message is processed as specified in the first Windows behavior note in section 3.2.5.1.4.

<7> Section 2.1.1.2.2: Windows never writes chunked messages. However, it can consume chunked messages.

<8> Section 2.1.2.1.1: In Windows the client always sends request in HTTP/1.1. The request has the following request headers set:

- Host request header is set to the host and the port number of the server.
- Expect request header is set to 100-continue.
- Connection request header is set to Keep-Alive.

<9> Section 2.1.2.1.1: **IPv6 address** is supported only on .NET Framework 2.0 and later versions.

<10> Section 2.1.2.1.1: Windows sets the User-Agent to "Mozilla/4.0+(compatible; MSIE 6.0; Windows <Windows-Ver>; MS .NET Remoting; MS .NET CLR <.NET-Ver>)" where "Windows-Ver" refers to the version of Windows and ".NET-Ver" refers to the version of .NET Framework.

<11> Section 2.1.2.1.1: Windows never sends messages by using chunked transfer coding.

<12> Section 2.1.2.1.2: The response time-out can be configured by the higher layer.

<13> Section 2.1.2.1.2: Windows supports HTTP redirection (status code specified in [RFC2616] section 10.3). The higher layer can configure to disable HTTP redirection. If disabled, the higher layer is notified of the error. The informational codes (the status code specified in section [RFC2616] 10.1) are handled as specified in [RFC2616] and are not propagated to the higher layer.

<14> Section 2.1.3.1.1.1: Windows sets the User-Agent to "Mozilla/4.0+(compatible; MSIE 6.0; Windows <Windows-Ver>; MS .NET Remoting; MS .NET CLR <.NET-Ver>)" where "Windows-Ver" refers to the version of Windows and ".NET-Ver" refers to the version of .NET Framework.

<15> Section 2.1.3.1.1.2: Windows supports HTTP redirection (status code specified in [RFC2616] section 10.3). The higher layer can configure to disable HTTP redirection. If disabled, the higher layer is notified of the error. The informational codes (status code specified in [RFC2616] section 10.1) are handled as specified in [RFC2616] and are not propagated to the higher layer.

<16> Section 2.2.1.2: TypeParameterList is always empty in .NET Framework 1.0 and .NET Framework 1.1.

<17> Section 2.2.2.7: This field is localized in Windows.

<18> Section 2.2.2.7: The Data field is present only in .NET Framework 2.0 and later versions.

<19> Section 2.2.2.12: A UnityType value of 8 is valid only in .NET Framework 2.0, .NET Framework 3.0, .NET Framework 3.5, .NET Framework 4.0, and .NET Framework 4.5.

<20> Section 2.2.2.13: The **GenericArguments** field is present only in .NET Framework 2.0, .NET Framework 3.0, .NET Framework 3.5, .NET Framework 4.0, and .NET Framework 4.5.

<21> Section 2.2.2.15: Windows names the target Member as specified by the following format.

Format for target Member name		
TargetMemberName	=	'Target' Index
Index	=	1*('0'-'9')

For a given DelegateSerializationHolder, the Index value starts from 0 and increases by 1 for each target Member. The Index value matches the index of the DelegateEntry for the Remote Method in the linked list.

<22> Section 2.2.2.15: The Method Member is present only in .NET Framework 2.0, .NET Framework 3.0, .NET Framework 3.5, .NET Framework 4.0, and .NET Framework 4.5.

<23> Section 2.2.3.2.2: IPv6 addresses are supported only on .NET Framework 2.0 and later versions.

<24> Section 2.2.3.3: Windows never writes chunked messages. However, it can consume chunked messages.

<25> Section 2.2.4.1: Windows allows the application to associate a SOAP action with a Remote Method. In the absence of such an association, Windows derives SOAPAction from the Remote Method name by concatenating the XML namespace of the Server Type and the Remote Method name separated by a number sign ('#').

SoapAction = XML namespace of Server Type '#' Remote Method Name where XML namespace of a Server Type is constructed as specified in section Remoting Type Name Encoding.

<26> Section 2.2.4.2: Windows allows the application to associate an XML namespace and a local name with a Remoting Type. In the absence of such an association, Windows derives the qualified name from the Remoting Type name and the Library name.

If the Library name of the Remoting Type is "mscorlib", then the XML namespace is defined as follows.

XML namespace definition		
SystemNamespace	=	CLRNSPREFIX '/' ClrNamespace(TypeName)
CLRNSPREFIX	=	'http://schemas.microsoft.com/clr/ns'
ClrNamespace(TypeName)	=	ClrNamespace nonterminal token in TypeName in the Common Patterns section

If the Library name of the Remoting Type is not "mscorlib", then the XML namespace is defined by using the ABNF syntax specified in [RFC4234] as follows.

XML namespace definition		
NonSystemNamespace	=	CLRNSASSEMPREFIX '/' ClrNamespace(TypeName) '/' UriEncoded(LibraryName)
CLRNSASSEMPREFIX	=	'http://schemas.microsoft.com/clr/nsassem'
ClrNamespace(TypeName)	=	ClrNamespace nonterminal token in TypeName in the Common Patterns section
UriEncoded(LibraryName)	=	LibraryName as defined in the Common Patterns section with characters ' ' (SPACE) replaced with '%20', '=' replaced with '%3D' and ',' replaced with '%2C'

If the application did not explicitly define it, the local name is defined by the LocalName nonterminal token in TypeName in the Common Patterns section.

<27> Section 2.2.4.3: Windows allows the application to associate an XML namespace and a local name for the request and response. In the absence of such an association, Windows derives the XML namespace from the Server Type name and the Library name by using the ABNF syntax defined in [RFC4234], specified as follows.

How Windows derives an XML namespace from the Server Type name and the Library name		
MethodNamespace	=	CLRNSASSEMPREFIX '/' ClrNamespace(TypeName) '/' LibraryIdentifier(LibraryName) '/' LocalName() '/' LocalName(TypeName)
CLRNSASSEMPREFIX	=	'http://schemas.microsoft.com/clr/nsassem'
ClrNamespace(TypeName)	=	ClrNamespace nonterminal token in TypeName in the Common Patterns section
LibraryIdentifier (LibraryName)	=	The LibraryIdentifier nonterminal token in LibraryName as defined in the Common Patterns section
LocalName(TypeName)	=	The LocalName nonterminal token in TypeName in the Common Patterns section

The LocalName of the request is the same as the name of the Remote Method.

The LocalName of the response is the name of the request appended with the string "Response".

<28> Section 2.2.5: TypeArgumentList is always empty in .NET Framework version 1.0 and .NET Framework version 1.1.

<29> Section 3.1.1: In Windows a Library is called an assembly.

<30> Section 3.1.1: The name of the System Library in Windows is "mscorlib".

<31> Section 3.1.1: In .NET Framework 1.0 and .NET Framework 1.1, the DateTime value supports only Unspecified. UTC and Local are supported only in .NET Framework 2.0 and later versions.

<32> Section 3.1.1: In Windows, the Generic Remote Method is supported only on .NET Framework 2.0 and later versions.

<33> Section 3.1.5.1.1: Windows allows extensions of its implementation to participate in the serialization of a message. It allows the extensions to provide a collection of DictionaryEntry items that are serialized as Message Properties.

<34> Section 3.1.5.1.2: Windows allows extensions of its implementation to participate in the serialization of a message. It allows the extensions to provide a collection of DictionaryEntry items that are serialized as Message Properties.

<35> Section 3.1.5.1.6: Windows always writes using the ClassWithMembersAndTypes for Classes that are not in the System Library. Windows can read all the versions. Windows uses the ClassWithId record to write subsequent instances of a Class unless the Members that are serialized vary from one instance to another; in that case, Windows uses the Class records with Member information.

<36> Section 3.1.5.1.6: Windows always writes using the SystemClassWithMembersAndTypes for classes that are in the System Library and ClassWithMembersAndTypes for Classes that are not in the System Library. Windows can read all the versions. Windows uses the ClassWithId record to write subsequent instances of a Class unless the Members that are serialized vary from one instance to another; in that case, Windows uses the Class records with Member information.

<37> Section 3.1.5.1.7: Windows always writes:

- ArraySingleString for single-dimensional string Arrays with a lower bound of 0.
- ArraySinglePrimitive for single-dimensional primitive Arrays with a lower bound of 0.
- ArraySingleObject for single-dimensional System.Object Arrays with a lower bound of 0.

<38> Section 3.1.5.2.1: Windows allows extensions of its implementation to participate in the serialization of a message. Windows allows the extensions to provide a collection of name-value pairs. The name is written as the local name of the header element. The namespace of the header element is "http://schemas.microsoft.com/clr/soap/messageProperties". The value is encoded as specified in Mapping Remoting Data Model to SOAP Format (section 3.1.5.2).

<39> Section 3.1.5.2.2: Windows allows extensions of its implementation to participate in the serialization of a message. It allows the extensions to provide a collection of name-value pairs. The name is written as the local name of the header element. The namespace of the header element is "http://schemas.microsoft.com/clr/soap/messageProperties". The value is encoded as specified in the Data Values Encoding section.

<40> Section 3.1.5.2.2: Windows gets the name of the response struct (child of the SOAP Body element in the response message) by appending the name of the request struct (child of the SOAP Body element in the request message) with the string "Response". The name of the Return Value accessor in Windows is "return".

<41> Section 3.1.5.2.11: Windows server implementation never writes the **faultactor** field. However it can consume a SOAP fault message with the **faultactor** field present.

<42> Section 3.1.5.3: Windows chooses a Channel URI based on the registered schemes specified in Creating Proxy from Request URI and Server Type (section 3.3.4.1.1). It picks the first Channel URI whose scheme is registered in the client **Channel Table**.

<43> Section 3.2.5.1.4: The Windows mechanism for binding to a Remote Method is as follows:

If there is no method in the Server Type with the Remote Method name that was de-serialized, then a RemotingException is constructed as specified in the Constructing a Remoting Exception (section 3.2.5.1.7.2) section and the Exception is sent back to the client.

If there is more than one Remote Method in the Server Type with the given name, Windows uses the Method Signature de-serialized to disambiguate. For each of the matching Remote Methods, the Remoting Types in the Method Signature are checked against the Remoting Type of the Remote Method's Argument. If all the Remoting Types match, then the Remote Method is chosen. If no Remote Method matches the Method Signature or if there are multiple matches and no Method Signature, then a RemotingException is constructed as specified in the Constructing a Remoting Exception (section 3.2.5.1.7.2) section, and the Exception is sent back to the client.

When using the SOAP protocol, if the Message Frame has a SOAP-Action header then the SOAP-Action is compared with the SOAP-Action inferred for the Remote Method as specified in the SOAP Action String (section 2.2.4.1) section. If they do not match, then a RemotingException is constructed as specified in the Constructing a Remoting Exception (section 3.2.5.1.7.2) section and the Exception is sent back to the client.

<44> Section 3.2.5.1.4: The Server Object is a CLR object whose type is Server Type and the Remote Method maps to a method in the Class. The Array of Data Values is passed as parameters to the method. The CallContext is passed as thread-specific CallContext values in the CLR.

<45> Section 3.2.5.1.5.3: Windows generates unique Server Object URIs as shown in the following table.

Format of the dynamically generated Server Object URI		
ServerObjectURI	=	GuidPart '/' BytesPart '_' SequenceId '.rem'
GuidPart	=	8*8(HEXDIGIT) 3*3 ('_' 4*4(HEXDIGIT)) '_' 12*12(HEXDIGIT)
BytesPart	=	24 * 24 (DIGIT / ('A'-'Z') / ('a'-'z') / '+' / '_')
SequenceId	=	1*10(DIGIT)

The GuidPart is a string representation of a GUID with '-' replaced by '_'. Windows uses the same GUID for all the Server Object URIs hosted in an AppDomain. The BytePart consists of 18 randomly generated bytes that are Base64 encoded. The bytes are generated for every Marshaled Server Object. SequenceId is an integer ranging from -2,147,483,648 to 2,147,483,647. It starts from 1 and is incremented for every Marshaled Server Object. Incrementing SequenceId value from 2,147,483,647 wraps it to be -2,147,483,648.

<46> Section 3.2.5.1.7.1: Windows populates the **Message** field with a localized text message describing the error. The StackTraceString contains text describing the call stack from where the Exception is thrown. The RemoteStackTraceString is NullObject. RemoteStackIndex is 0. ExceptionMethod contains text that lists the Method name, Library name and Remoting Type name. Source contains text representing the name of the Application.

<47> Section 3.2.5.1.7.2: Windows populates the **Message** field with a localized text message describing the error. The StackTraceString contains text describing the call stack from where the Exception is thrown. The RemoteStackTraceString is NullObject. RemoteStackIndex is 0. ExceptionMethod contains text that lists the Method Name, Library name, and Remoting Type name. Source contains text representing the name of the Application.

<48> Section 3.3.4.2.1: Windows constructs a MethodSignature when there is more than one method with the same name in a Server Type. In this case the MethodSignature is used to disambiguate the methods.

7 Change Tracking

~~This section identifies **No table of changes that were made to this is available. The document is either new or has had no changes** since **theits** last release. Changes are classified as Major, Minor, or None.~~

~~The revision class **Major** means that the technical content in the document was significantly revised. Major changes affect protocol interoperability or implementation. Examples of major changes are:~~

- ~~• A document revision that incorporates changes to interoperability requirements.~~
- ~~• A document revision that captures changes to protocol functionality.~~

~~The revision class **Minor** means that the meaning of the technical content was clarified. Minor changes do not affect protocol interoperability or implementation. Examples of minor changes are updates to clarify ambiguity at the sentence, paragraph, or table level.~~

~~The revision class **None** means that no new technical changes were introduced. Minor editorial and formatting changes may have been made, but the relevant technical content is identical to the last released version.~~

~~The changes made to this document are listed in the following table. For more information, please contact dochelp@microsoft.com.~~

Section	Description	Revision class
2.1.1.1.1 Sending Request	Modified product behavior note to state .NET Framework 2.0 and later.	Major
2.1.2.1.1 Sending Request	Modified product behavior note to state .NET Framework 2.0 and later.	Major
2.2.2.7 System.Exception	Modified product behavior note to state .NET Framework 2.0 and later.	Major
2.2.3.2.2 TcpUriString	Modified product behavior note to state .NET Framework 2.0 and later.	Major
3.1.1 Abstract Data Model	Modified product behavior notes on DateTime value and Generic Remote Method to state .NET Framework 2.0 and later.	Major
6 Appendix A: Product Behavior	7186 : Added .NET Framework 4.7 to the applicability list in section 6 Appendix A: Product Behavior.	Major

8 Index

.

.NET Remoting Description Notation message 46

A

Abstract data model
 client (section 3.1.1 49, section 3.3.1 67)
 server (section 3.1.1 49, section 3.2.1 61)
Applicability 19

B

Binding 17
Binding to Server Object 64
Byte 37

C

Call Context SOAP header 46
CallContextRemotingData 35
Capability negotiation 19
Change tracking 90
ChannelDataStore 29
ChannelInfo 29
ChunkDelimiter packet 39
Chunked 36
Chunked_Message_Content packet 40
Client
 abstract data model (section 3.1.1 49, section 3.3.1 67)
 higher-layer triggered events (section 3.1.4 53, section 3.3.4 67)
 initialization (section 3.1.3 53, section 3.3.3 67)
 local events (section 3.1.7 61, section 3.3.7 70)
 message processing (section 3.1.5 54, section 3.3.5 70)
 other local events 70
 sequencing rules (section 3.1.5 54, section 3.3.5 70)
 timer events (section 3.1.6 61, section 3.3.6 70)
 timers (section 3.1.2 53, section 3.3.2 67)
CloseConnection 37
CloseConnectionHeader packet 44
Common Patterns message 25
Common Types message 27
Completing the Invocation 70
Constructing
 Remoting Exception 66
 SerializationException 66
ContentType 37
ContentTypeHeader packet 44
CountedString 37
CountedString packet 38
Creating Proxy from Request URI and Server Type 67
Custom 37
CustomHeader packet 42

D

Data model - abstract
 client (section 3.1.1 49, section 3.3.1 67)
 server (section 3.1.1 49, section 3.2.1 61)
De-Serializing the Message Content 64
De-Serializing the Response 69

DictionaryEntry 29
Dispatching the Call 64

E

EndHeader packet 42
EndHeaders 37
EnvoyInfo 28
Error 38
Examples 71
Exception 30

F

Faults in SOAP over HTTP 79
Fields - vendor-extensible 19
Frame headers 42

G

Get SAO Proxy 67
Glossary 8

H

Higher-layer triggered events
 client (section 3.1.4 53, section 3.3.4 67)
 server (section 3.1.4 53, section 3.2.4 62)
HTTP - Binary - OneWay Method Invocation 81
HTTP transport
 client - receiving reply 22
 client - sending request 22
 overview 22
 server - receiving request 23
 server - sending reply 23

I

IdentifierName 26
Implementer - security considerations 83
Index of security parameters 83
Informative references 14
Initialization
 client (section 3.1.3 53, section 3.3.3 67)
 server (section 3.1.3 53, section 3.2.3 62)
Int32 37
Introduction 8

L

LibraryName 26
Local events
 client (section 3.1.7 61, section 3.3.7 70)
 server (section 3.1.7 61, section 3.2.7 67)

M

Mapping
 Array Instances (section 3.1.5.1.7 58, section 3.1.5.2.6 60)
 Class Instances (section 3.1.5.1.6 57, section 3.1.5.2.5 60)
 Enum Values (section 3.1.5.1.9 58, section 3.1.5.2.8 60)
 Exception 61
 Library Information 57
 Null Object (section 3.1.5.1.12 58, section 3.1.5.2.10 60)

- Primitive Values (section 3.1.5.1.8 58, section 3.1.5.2.7 60)
- Remote Field Get (section 3.1.5.1.3 56, section 3.1.5.2.3 60)
- Remote Field Set (section 3.1.5.1.4 56, section 3.1.5.2.4 60)
- Remote Method
 - Invocation 59
 - invocation reply (section 3.1.5.1.2 55, section 3.1.5.2.2 59)
 - request 54
- String Values 58
- Marshal Server Object 63
- Marshaling Server Objects 65
- Message frame structure 39
- Message processing
 - client (section 3.1.5 54, section 3.3.5 70)
 - server (section 3.1.5 54, section 3.2.5 63)
- Messages
 - .NET Remoting Description Notation 46
 - Common Patterns 25
 - common patterns - overview 25
 - Common Types 27
 - common types - overview 27
 - SOAP serialization format 45
 - syntax - TCP
 - common enumerations 36
 - common types 38
 - frame headers 42
 - message frame structure 39
 - syntax - TCP - overview 36
 - TCP Message Syntax 36
 - transport 20
- Method name encoding 45
- Method Signature SOAP Header 45

N

- Normative references 13
- NotChunked 36

O

- ObjRef 27
- OneWay Method Invocation
 - HTTP - Binary 81
 - SOAP over TCP 80
- OneWayRequest 36
- Other local events
 - client 70
 - server 67
- Overview (synopsis) 14

P

- Parameters - security index 83
- Passing Server Objects 16
- Preconditions 18
- Prerequisites 18
- Process the Message Frame 63
- Product behavior 84
- Proxy 67
- Proxy instances 65

R

- Reading the Reply 69
- Receiving a message - overview 63
- References 13

- informative 14
- normative 13
- Register SAO ServerType 62
- Relationship to other protocols 17
- Remote Method Invocation
 - model 15
 - overview 68
- Remoting Type name encoding 45
- RemotingException 31
- Reply 36
- Request 36
- Request URI 67
- RequestUri 37
- RequestUriHeader packet 43

S

- Security
 - implementer considerations 83
 - parameter index 83
- Sending Reply 66
- Sending the Request 69
- Sequencing rules
 - client (section 3.1.5 54, section 3.3.5 70)
 - server (section 3.1.5 54, section 3.2.5 63)
- SerializationException 31
- Serializing
 - the Reply 65
 - the request 68
 - to Binary Serialization Format (section 3.2.5.1.5.1 65, section 3.3.4.2.1.1 68)
 - to SOAP Serialization Format (section 3.2.5.1.5.2 65, section 3.3.4.2.1.2 68)
- Server
 - abstract data model (section 3.1.1 49, section 3.2.1 61)
 - higher-layer triggered events (section 3.1.4 53, section 3.2.4 62)
 - initialization (section 3.1.3 53, section 3.2.3 62)
 - local events (section 3.1.7 61, section 3.2.7 67)
 - message processing (section 3.1.5 54, section 3.2.5 63)
 - other local events 67
 - sequencing rules (section 3.1.5 54, section 3.2.5 63)
 - timer events (section 3.1.6 61, section 3.2.6 67)
 - timers (section 3.1.2 53, section 3.2.2 62)
- Server Object Instantiation 17
- Server Type 67
- ServerFault 35
- Single_Message_Content packet 39
- SOAP action string 45
- SOAP on HTTP
 - client - receiving reply 24
 - client - sending request 24
 - overview 24
 - server - receiving request 24
 - server - sending reply 24
- SOAP on TCP
 - client - receiving reply 25
 - client - sending request 25
 - overview 25
 - server - receiving request 25
 - server - sending reply 25
- SOAP over HTTP - TwoWay Method Invocation 76
- SOAP over TCP - OneWay Method Invocation 80
- SOAP serialization format 45
- Standards assignments 19
- StatusCode 37
- StatusCodeHeader packet 42
- StatusPhrase 37

StatusPhraseHeader packet 43
Success 38
Syntax 25
System.Type 31
SystemException 31

T

TCP 36
TCP Message Syntax message 36
TCP transport
 client - receiving reply 20
 client - sending request 20
 overview 20
 server - receiving request 21
 server - sending reply 21
TCP-Binary - TwoWay Method Invocation 71
TcpUriString 38
Timer events
 client (section 3.1.6 61, section 3.3.6 70)
 server (section 3.1.6 61, section 3.2.6 67)
Timers
 client (section 3.1.2 53, section 3.3.2 67)
 server (section 3.1.2 53, section 3.2.2 62)
Tracking changes 90
Transport 20
Triggered events - higher-layer
 client (section 3.1.4 53, section 3.3.4 67)
 server (section 3.1.4 53, section 3.2.4 62)
TwoWay Method Invocation
 SOAP over HTTP 76
 TCP-Binary 71
TypeInfo 28
TypeName 26

U

UInt16 37
Unicode 37
UnitySerializationHolder 32
UnknownHeader packet 44
Unmarshal Server Object 63
UTF8 37

V

Vendor-extensible fields 19
Versioning 19
Void 37